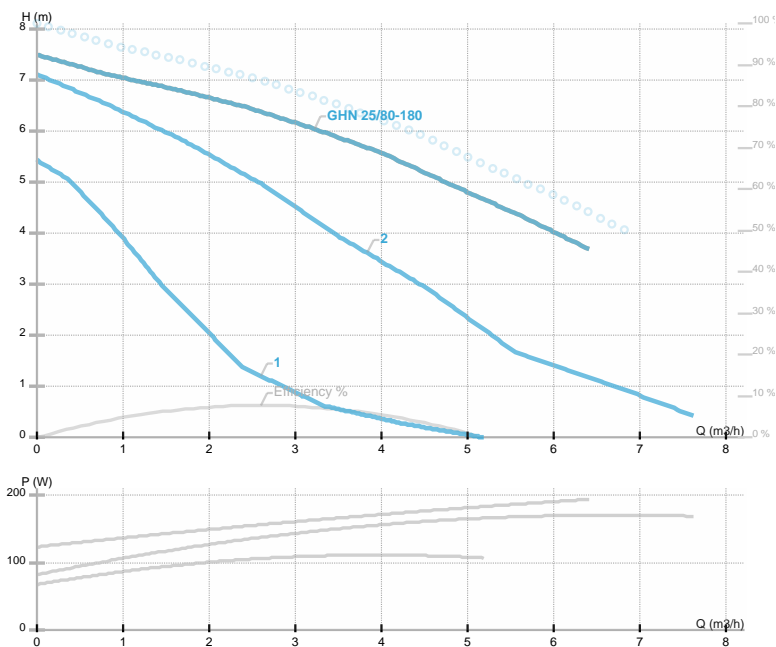




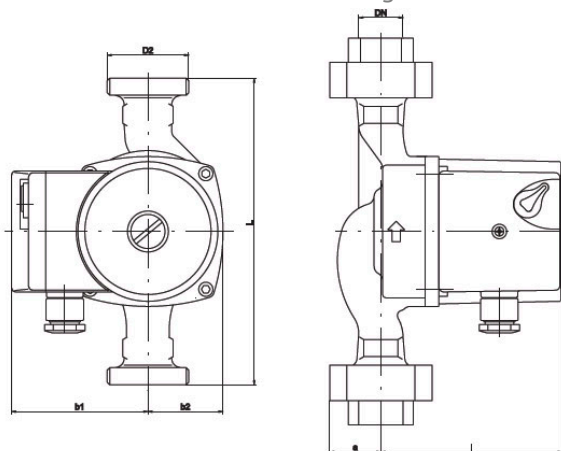
## GHN 25/80-180

GHN / Threaded circulation pumps with three speeds  
 Heating/cooling, Klimatizacija



Part number	<b>979523206</b>
Power supply	<b>1~230 V</b>
Declared protection	<b>IP44</b>
Q max	<b>8.4 [m³/h]</b>
H max	<b>8.0 [m]</b>
RPM	<b>1150 - 2450 [1/min]</b>
Motor power	<b>210 [w]</b>
Declared current	<b>0.95 [A]</b>
Fluid	<b>Water VDI 2035, glycol 40%</b>
Fluid temperature	<b>-10.0 ÷ 110.0 [°C]</b>
Insulation class	<b>H</b>
DN	<b>25 [mm]</b>
Connector	<b>G 1 ½</b>
Net weight	<b>4.60 [kg]</b>
Length	<b>180 [mm]</b>
Approvals	<b>EAC</b>
EEL	
Efficiency	<b>[%]</b>
Impeller material	<b>Noryl 1630V</b>
Bearing material	<b>Graphite</b>
Shaft material	<b>AISI 420</b>
Hydraulics material	<b>Gray cast iron</b>
Mains frequency	<b>50 Hz</b>
Connection	<b>G 1 ½</b>
Max pressure	<b>Max 10 bar</b>
Ambient temp.range	<b>35 deg C</b>

Dimension drawing



DN=25 D2=1 1/2" L=180 l=108 b1=80 b2=44 a=28

Electrical wiring