



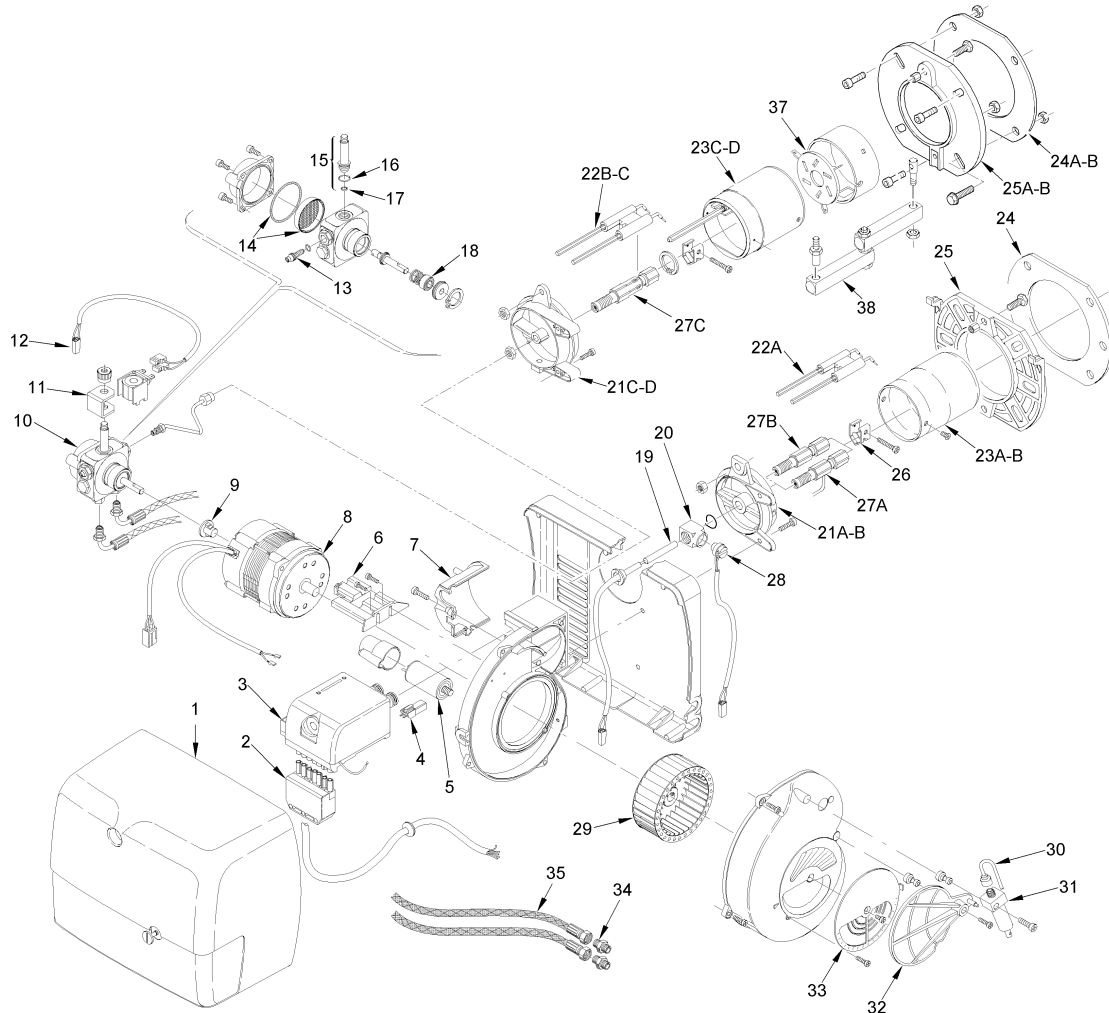
Fonderie Sime S.p.A. - Via Garbo, 27 - 37045 Legnago (VR) - www.sime.it
 Tribunale Verona 13531 - R.E.A. VR 171357 - C.C.P. 19423375 - N° Mecc. VR 014435
 Capitale Sociale Euro 5.521.200 int. versato - Codice Fiscale/Partita IVA n. IT 01275930236

Comfort Ambiente - Via Garbo, 27 - 37045 Legnago (VR)

Tel +39 0442 631111 - Fax Servizio Commerciale: Italia +39 0442 631291 - Estero +39 0442 631293

Fax Servizio Tecnico +39 0442 631292 - Fax Ufficio Acquisti +39 0442 631292 - Fax Amministrazione +39 0442 631336

8099060 BRUC.GASOL.SIME MACK7 3501307



Posiz.	Codice	Descrizione
001C	6291263	Casing
002	6291202	7 pin plug
003	6291203	Control box 555SE
004	6291204	P.E. cell
005A	6291264	Capacitor 6.3 µF
006	6291206	Support
007C	6291265	Cover
008A	6291266	Motor
009	6279002	Joint
010	6291211	Pump
011	6279004	Coil
012	6291213	Connecting lead
013	6279009	Regolator
014	6279011	Filter O-ring
015	6279010	Needle valve
016	6291217	O-ring
017	6291218	O-ring
018	6279008	Pump seal
021D	6291267	Coller
022C	6291268	Electrode assembly
023D	6291269	Cup-shaped head
024B	6291271	Gasket
025B	6291272	Flange
026	6279016	Electrode bracket
027C	6291257	Nozzle holder
029B	6291273	Fan

030C	6291274	Tube
031	6291238	Hydraulic jack
032B	6291275	Air damper
033B	6291276	Air damper
034	6291241	Connector
035	6291242	Flexible pipe
036A	6291250	Tube
037A	6291270	End ring and diffuser disc
038	6291277	Hinge unit
707	6291284	Nozzle GPH 2.00 60°B
708	6291285	Nozzle GPH 2.50 60°B
709	6291286	Nozzle GPH 2.75 60°B
710	6276200	Oil filter
711	6276201	Oil filter with recirculation