



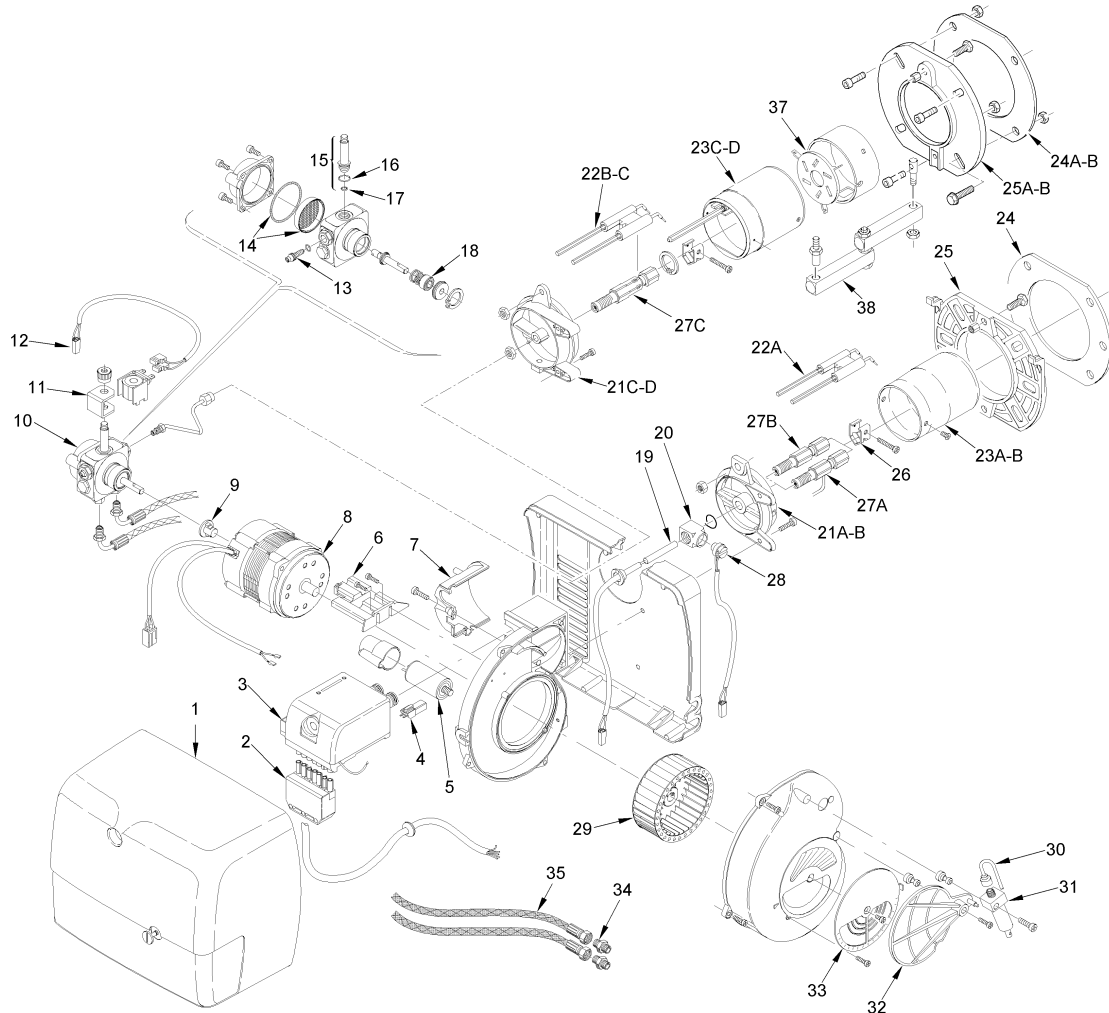
Fonderie Sime S.p.A. - Via Garbo, 27 - 37045 Legnago (VR) - www.sime.it
 Tribunale Verona 13531 - R.E.A. VR 171357 - C.C.P. 19423375 - N° Mecc. VR 014435
 Capitale Sociale Euro 5.521.200 int. versato - Codice Fiscale/Partita IVA n. IT 01275930236

Comfort Ambiente - Via Garbo, 27 - 37045 Legnago (VR)

Tel +39 0442 631111 - Fax Servizio Commerciale: Italia +39 0442 631291 - Estero +39 0442 631293

Fax Servizio Tecnico +39 0442 631292 - Fax Ufficio Acquisti +39 0442 631292 - Fax Amministrazione +39 0442 631336

8099050 BRUC.GASOL.SIME MACK6 3501257



| Posiz. | Codice | Descrizione |
|--------|---------|--------------------|
| 001B | 6291248 | Casing |
| 002 | 6291202 | 7 pin plug |
| 003 | 6291203 | Control box 555SE |
| 004 | 6291204 | P.E. cell |
| 005 | 6279026 | Capacitor 4 µF |
| 006 | 6291206 | Support |
| 007B | 6291249 | Cover |
| 008 | 6291209 | Motor |
| 009 | 6279002 | Joint |
| 010 | 6291211 | Pump |
| 011 | 6279004 | Coil |
| 012 | 6291213 | Connecting lead |
| 013 | 6279009 | Regolator |
| 014 | 6279011 | Filter O-ring |
| 015 | 6279010 | Needle valve |
| 016 | 6291217 | O-ring |
| 017 | 6291218 | O-ring |
| 018 | 6279008 | Pump seal |
| 021C | 6291251 | Coller |
| 022B | 6291252 | Electrode assembly |
| 023C | 6291253 | Cup-shaped head |
| 024A | 6291254 | Gasket |
| 025A | 6291255 | Flange |
| 026 | 6279016 | Electrode bracket |
| 027C | 6291257 | Nozzle holder |
| 029A | 6291258 | Fan |

| | | |
|------|---------|-------------------------------|
| 030B | 6291259 | Tube |
| 031 | 6291238 | Hydraulic jack |
| 032A | 6291260 | Air damper |
| 033A | 6291261 | Air damper |
| 034 | 6291241 | Connector |
| 035 | 6291242 | Flexible pipe |
| 036A | 6291250 | Tube |
| 037 | 6291256 | End ring and diffuser disc |
| 703 | 6291280 | Nozzle GPH 1.10 60°W |
| 704 | 6291281 | Nozzle GPH 1.25 60°W |
| 705 | 6291282 | Nozzle GPH 1.50 60°B |
| 706 | 6291283 | Nozzle GPH 1.75 60°B |
| 710 | 6276200 | Oil filter |
| 711 | 6276201 | Oil filter with recirculation |