



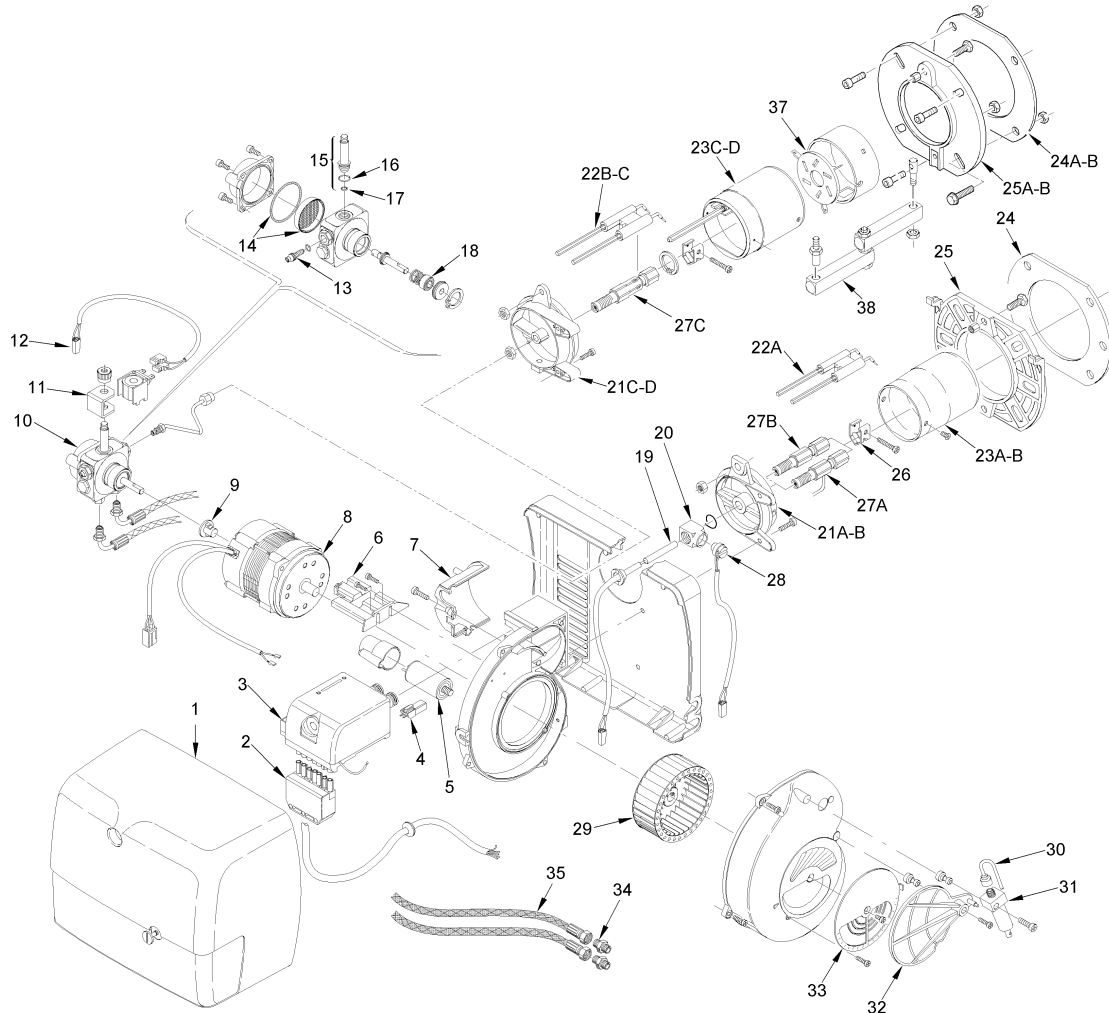
Fonderie Sime S.p.A. - Via Garbo, 27 - 37045 Legnago (VR) - [www.sime.it](http://www.sime.it)  
 Tribunale Verona 13531 - R.E.A. VR 171357 - C.C.P. 19423375 - N° Mecc. VR 014435  
 Capitale Sociale Euro 5.521.200 int. versato - Codice Fiscale/Partita IVA n. IT 01275930236

Comfort Ambiente - Via Garbo, 27 - 37045 Legnago (VR)

Tel +39 0442 631111 - Fax Servizio Commerciale: Italia +39 0442 631291 - Estero +39 0442 631293

Fax Servizio Tecnico +39 0442 631292 - Fax Ufficio Acquisti +39 0442 631292 - Fax Amministrazione +39 0442 631336

8099010 BRUC.GASOL.SIME MACK4 3501057



Posiz.	Codice	Descrizione
001A	6291201	Casing
002	6291202	7 pin plug
003	6291203	Control box 555SE
004	6291204	P.E. cell
005	6279026	Capacitor 4 µF
006	6291206	Support
007A	6291208	Cover
008	6291209	Motor
009	6279002	Joint
010	6291211	Pump
011	6279004	Coil
012	6291213	Connecting lead
013	6279009	Regulator
014	6279011	Filter O-ring
015	6279010	Needle valve
016	6291217	O-ring
017	6291218	O-ring
018	6279008	Pump seal
019	6291220	Heater
020	6279005	Raccord
021A	6291223	Coller
022A	6291225	Electrode assembly
023A	6291227	Cup-shaped head
024	6279012	Insulating board for FUEL
025	6291230	Flange
026	6279016	Electrode bracket

027A	6291233	Nozzle holder
028	6291234	Thermostat assembly
029	6279024	Fan
030A	6291237	Tube
031	6291238	Hydraulic jack
032	6291239	Air damper
033	6291240	Air damper
034	6291241	Connector
035	6291242	Flexible pipe
701	6291279	Nozzle GPH 0.75 60°W
710	6276200	Oil filter
711	6276201	Oil filter with recirculation