



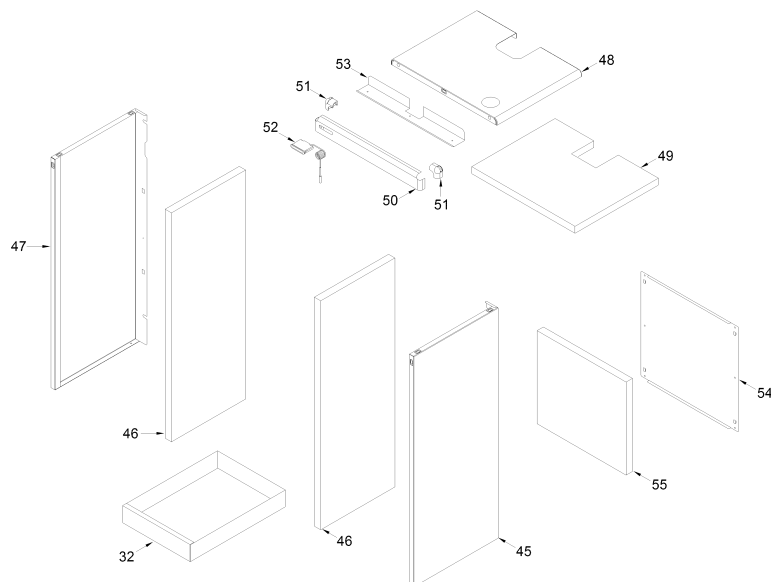
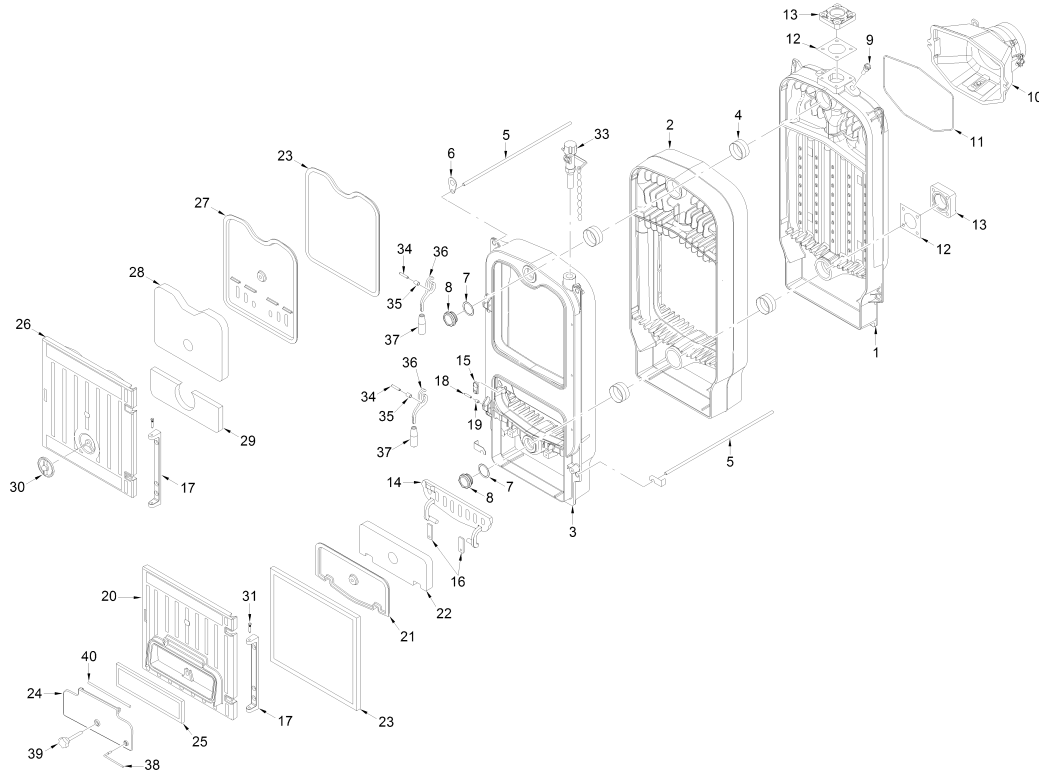
Fonderie Sime S.p.A. - Via Garbo, 27 - 37045 Legnago (VR) - www.sime.it
 Tribunale Verona 13531 - R.E.A. VR 171357 - C.C.P. 19423375 - N° Mecc. VR 014435
 Capitale Sociale Euro 5.521.200 int. versato - Codice Fiscale/Partita IVA n. IT 01275930236

Comfort Ambiente - Via Garbo, 27 - 37045 Legnago (VR)

Tel +39 0442 631111 - Fax Servizio Commerciale: Italia +39 0442 631291 - Estero +39 0442 631293

Fax Servizio Tecnico +39 0442 631292 - Fax Ufficio Acquisti +39 0442 631292 - Fax Amministrazione +39 0442 631336

8111902 CALD.POLICOMBUST. SOLIDA EV 5



Posiz.	Codice	Descrizione
001	6910802	Rear section
002	6910602	Intermediate section
003	6910502	Front section
004	6000402	Push nipple 2"
005B	6268472	Tie-rod M10x687

006	6080900	Lifting hook	
007	2030224	Gasket Ø 47,3x61x2	
008	2041000	Plug 1-1/2"	
009	5064600	Bulb holder 1/2" L=50	
010	5111500	Complete smoke chamber	
011	6291502	Gasket for smoke chamber	
012	6012500	Piracriten square gasket	
013	6180103	Square flange 100x100x2"	
014	6132951	Front grate	
015	6112000	Stop for front grate	
016	6256757	Stationary grid bracket	
017	6112122	Hinge for door	
018	2060100	Spring pin Ø 6x32	
019	6003407	Bushing Ø 9x12	
020	6920012	Combustion chamber door	
021	6112941	Screen combustion chamber door	
022	6113202	Insulating	
023	1232423	Glass fiber 14x14	
024	6112732	Air inlet door	
025	1232401	Glass fibre sealing cord Ø 10	
026	6112852	Loading door	
027	6113021	Loading door screen	
028	6113302	Insulation	
029	6113303	Insulation	
030	6112742	Suction above door	
031	6112201	Pin Ø 7	
032B	6111122	Ash tray	5
033	6112500	Draft regulator 3/4"	
034	2060101	Spring pin Ø 7x40	
035	6003404	Spacer Ø 11x15	
036	6113601	Knob	
037	6113650	Spare for knob FB	
038	6113500	Draft regulator control arm	
039	6113400	Knob Ø 40 - M10x70	
040	6112300	Pin for primary air flap	
045B	6324412	Casing right hand side panel	5
046B	6273407	Insulation	5
047B	6324512	Casing left hand side panel	5
048B	6324612	Casing top cover	5
049B	6283937	Insulation	5
050	6324701	Casing front upper panel	
051	6282161	Front panel angular	
052	6001761	Thermometer 0-120°C	
053	6114120	Protection from heat	
054	6117710	Casing rear panel	
055	6273410	Insulation	
700	5103611	Complete combustion chamber doo	
701	5103707	Complete loading door	
704	5201602	Complete cast iron Solida EV 5	5
709	5201702	Complete casing Solida EV 5	5