



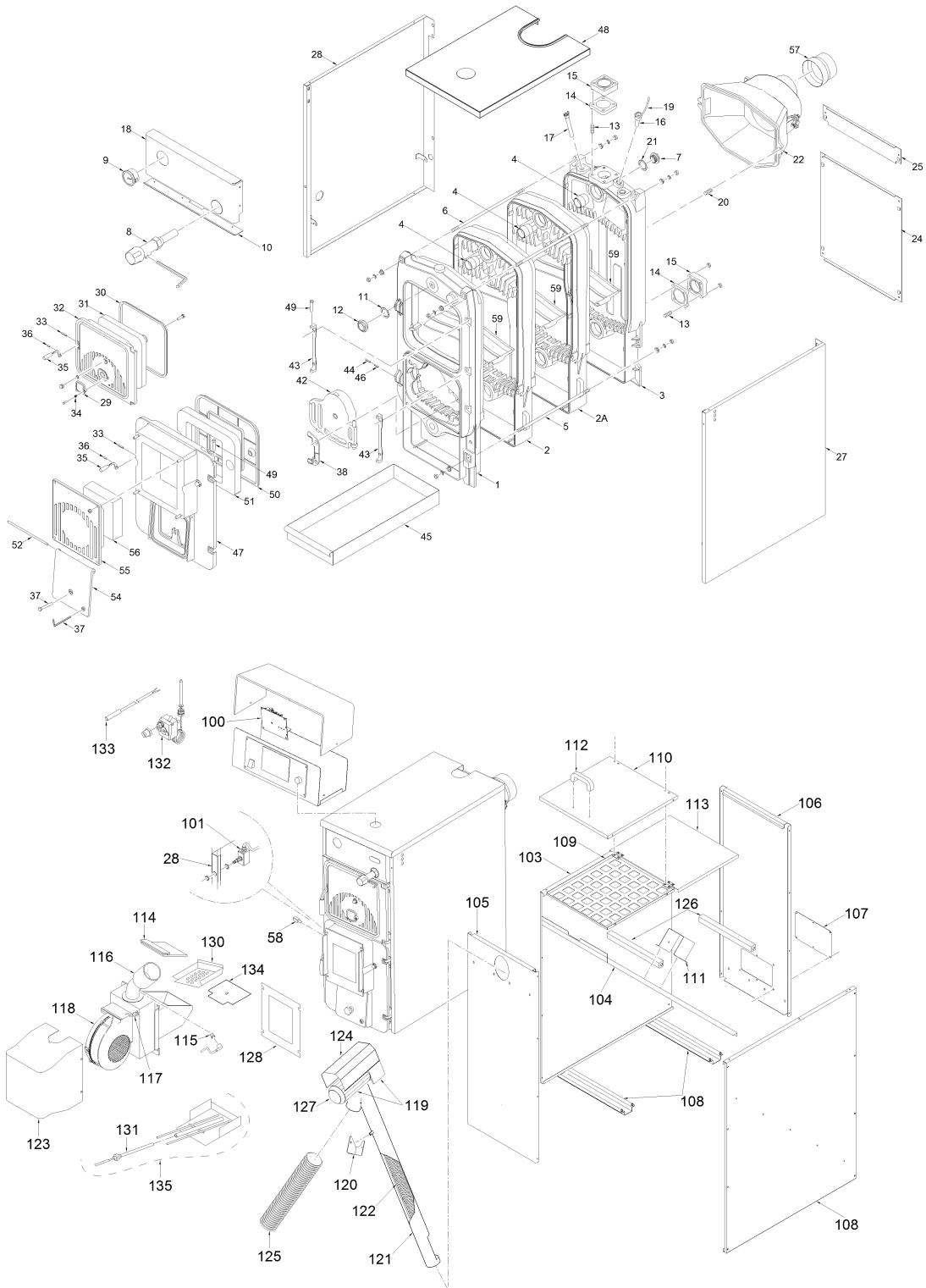
Fonderie Sime S.p.A. - Via Garbo, 27 - 37045 Legnago (VR) - www.sime.it
 Tribunale Verona 13531 - R.E.A. VR 171357 - C.C.P. 19423375 - N° Mecc. VR 014435
 Capitale Sociale Euro 5.521.200 int. versato - Codice Fiscale/Partita IVA n. IT 01275930236

Comfort Ambiente - Via Garbo, 27 - 37045 Legnago (VR)

Tel +39 0442 631111 - Fax Servizio Commerciale: Italia +39 0442 631291 - Estero +39 0442 631293

Fax Servizio Tecnico +39 0442 631292 - Fax Ufficio Acquisti +39 0442 631292 - Fax Amministrazione +39 0442 631336

8075740 CALD.POLICOMB. SOLIDA 8 PL



| Posiz. | Codice | Descrizione |
|--------|---------|------------------------------|
| 001 | 6111421 | Front section |
| 002 | 6154101 | Special intermediate section |
| 002A | 6111301 | Intermediate section |
| 003 | 6111201 | Rear section |
| 004 | 6000402 | Push nipple 2" |

| | | | |
|------|---------|---------------------------------|---------|
| 005 | 6000564 | Lower tie-rod M10x795 | |
| 006 | 6000567 | Upper tie-rod M10x860 | |
| 007 | 2041000 | Plug 1-1/2" | |
| 008 | 6112500 | Draft regulator 3/4" | |
| 009 | 6001700 | Thermometer 0-120°C | |
| 010 | 6114110 | Protection from heat | |
| 011 | 2030231 | Gasket Ø 42x55x2 | |
| 012 | 2041001 | Plug 1-1/4" | |
| 013 | 6000627 | Stud M8x35 | |
| 014 | 6012500 | Piracriten square gasket | |
| 015 | 6180103 | Square flange 100x100x2" | |
| 016 | 5064600 | Bulb holder 1/2" L=50 | |
| 017 | 5000000 | Bulb holder 1/2" L=120 | |
| 018 | 6117841 | Casing front upper panel | |
| 019 | 2051000 | Contact spring | |
| 020 | 6000601 | Stud M10x45 | |
| 021 | 2030224 | Gasket Ø 47,3x61x2 | |
| 022 | 5111500 | Complete smoke chamber | |
| 024 | 6117703 | Casing rear lower panel | |
| 025 | 6117603 | Casing rear upper panel | |
| 027 | 5107876 | Casing right hand side panel | |
| 028 | 5107976 | Casing left hand side panel | |
| 029 | 6037601 | Window | |
| 030 | 6113000 | Protection for loading door | |
| 031 | 6113300 | Loading door glass wool insulat | |
| 032 | 6112822 | Loading door | |
| 033 | 2060101 | Spring pin Ø 7x40 | |
| 034 | 2050000 | Spring TDM | |
| 035 | 6113600 | Knob | |
| 036 | 6003404 | Spacer Ø 11x15 | |
| 037 | 6113500 | Draft regulator control arm | |
| 038 | 6111900 | Hinge for front grate | |
| 039 | 6112000 | Stop for front grate | |
| 040 | 6112401 | Screw M8x6 | |
| 041 | 2000320 | Screw TSP M8x30 | |
| 042 | 5129600 | Front grate | |
| 043 | 6112101 | Hinge for door | |
| 044 | 2060100 | Spring pin Ø 6x32 | |
| 045 | 6111106 | Ash tray | |
| 046 | 6003407 | Bushing Ø 9x12 | |
| 047 | 6112612 | Combustion chamber door | |
| 048 | 6117376 | Casing top cover | |
| 049 | 6112201 | Pin Ø 7 | |
| 050 | 6112911 | Protection for combustion chamb | |
| 051 | 6113210 | Combustion chamber door insulat | |
| 052 | 6112300 | Pin for primary air flap | |
| 053 | 6113400 | Knob Ø 40 - M10x70 | |
| 054 | 6112722 | Air inlet door | |
| 055 | 6113111 | Blank plate | |
| 056 | 6269010 | Insulator Blank plate | |
| 058 | 6112430 | Door hinge bolt | |
| 059 | 6114600 | Cast iron baffle | |
| 100 | 6318406 | Main P.C.B. | |
| 101 | 6318407 | Micro switch | |
| 102 | 6316616 | Casing right hand side panel | 200 |
| 102A | 6316816 | Casing right hand side panel | 300 |
| 102B | 6316916 | Casing right hand side panel | 500 |
| 103 | 6316621 | Casing left hand side panel | 200 |
| 103A | 6316821 | Casing left hand side panel | 300 |
| 103B | 6316921 | Casing left hand side panel | 500 |
| 104 | 6316625 | Pellet chute | 200-300 |
| 104A | 6316925 | Pellet chute | 500 |
| 105 | 6316606 | Casing front panel | 200-300 |
| 105A | 6316906 | Casing front panel | 500 |
| 106 | 6316601 | Rear panel | 200 |
| 106A | 6316801 | Rear panel | 300 |
| 106B | 6316901 | Rear panel | 500 |
| 107 | 6316631 | Plug rear | |
| 108 | 6316610 | Container support | 200-300 |
| 108A | 6316910 | Container support | 500 |
| 109 | 6316646 | Protection grate | 200-300 |
| 109A | 6316946 | Grate | 500 |
| 110 | 6316641 | Maneuverable top cover | 200-300 |
| 110A | 6316941 | Maneuverable top cover | 500 |
| 111 | 6316650 | Fiction pellet container | |
| 112 | 6113660 | Knob | |
| 113 | 6316636 | Top cover | 200-300 |

| | | | |
|------|---------|---------------------------------|------------|
| 113A | 6316936 | Top cover | 500 |
| 114 | 6318400 | Deflector | |
| 115 | 6318401 | H.L. stat | |
| 116 | 6318402 | Pipe for pellet entrance | |
| 117 | 6318403 | P.E. cell | |
| 118 | 6318404 | Fan motor | |
| 119 | 6318416 | Pellet auger + motor | |
| 120 | 6318409 | Auger support | |
| 121 | 6318410 | Auger pipe | |
| 122 | 6318411 | Auger | |
| 123 | 6318412 | Burner cover | |
| 124 | 6318413 | Auger motoreducer cover | |
| 125 | 6318414 | Tube | |
| 126 | 6316960 | Tie-rod | 500 |
| 127 | 6318415 | Screw auger motor | |
| 128 | 6318469 | Burner insulation | |
| 130 | 6318419 | Burner's grid | |
| 131 | 6318426 | Heater 280 watt | DA MATR. |
| 132 | 6318420 | Reset limit stat | |
| 133 | 6318421 | Boiler probe | |
| 134 | 6318422 | Coil cover | |
| 135 | 6318425 | Kit grid resistance 280 watt | FINO MATR. |
| 135A | 6318427 | Grid+resist.+blowers kit 280 W | DA MATR. |
| 700 | 8075300 | Cleaning tool set | |
| 701 | 6050900 | Set boiler assembling tools | |
| 702 | 5103701 | Complete loading door | |
| 703 | 5156240 | Complete casing SOLIDA 8 PL | |
| 704 | 5156340 | c.i.boiler body SOLIDA 8 PL | |
| 705 | 5103610 | Complete combustion chamber doo | |
| 706 | 5107301 | Complete casing without control | |
| 707 | 5197500 | Pellet container 200 LT. | 200 |
| 708 | 5197510 | Pellet container 300 LT. | 300 |
| 709 | 5197520 | Pellet container 500 LT | 500 |
| 711 | 6316700 | Pellet burner | |
| 712 | 6318405 | Connector | |
| 713 | 6316720 | Junction box | |
| 714 | 6318417 | Cable connector | |
| 715 | 6229923 | Condenser 12,5 mF 400V | |
| 716 | 6316725 | Panel for complete control pane | |