



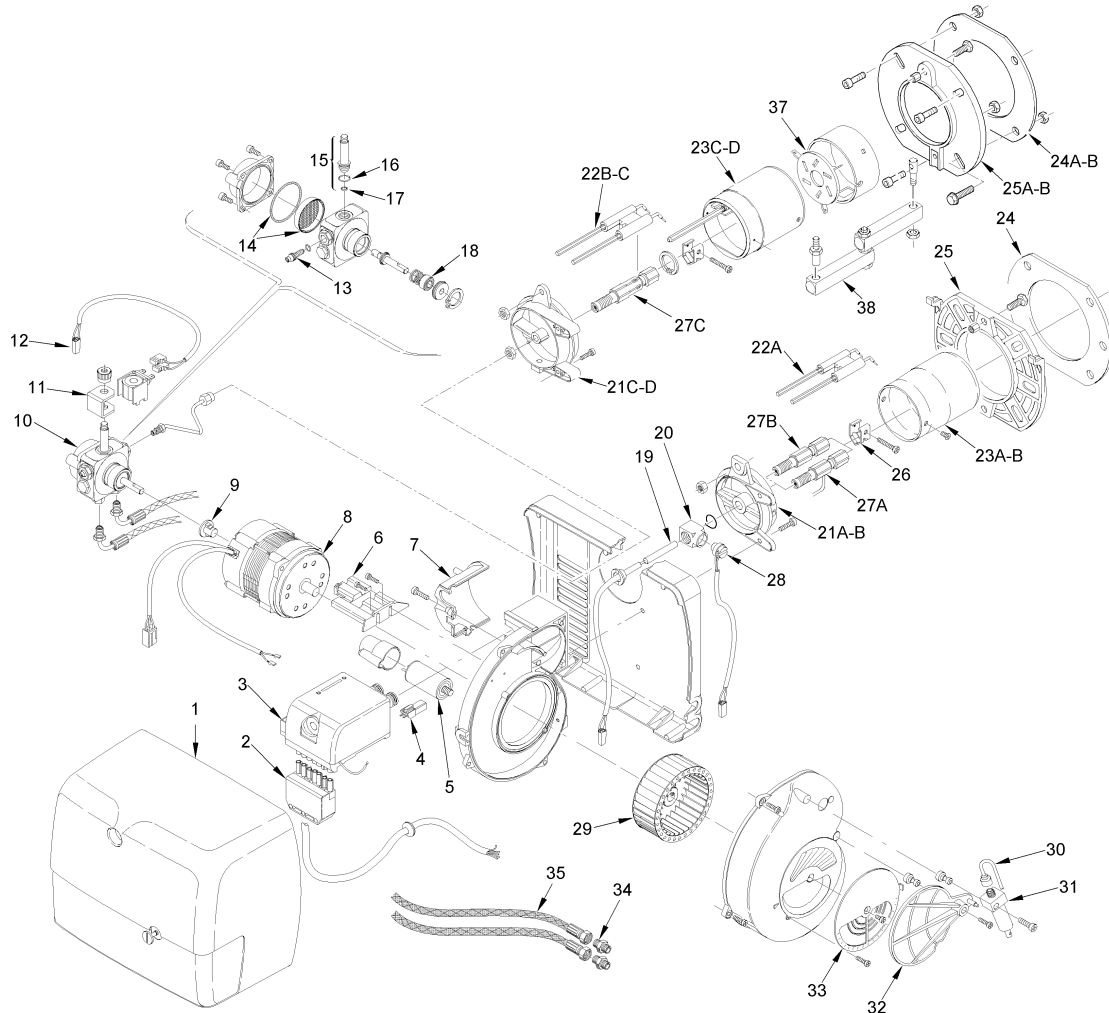
Fonderie Sime S.p.A. - Via Garbo, 27 - 37045 Legnago (VR) - www.sime.it
 Tribunale Verona 13531 - R.E.A. VR 171357 - C.C.P. 19423375 - N° Mecc. VR 014435
 Capitale Sociale Euro 5.521.200 int. versato - Codice Fiscale/Partita IVA n. IT 01275930236

Comfort Ambiente - Via Garbo, 27 - 37045 Legnago (VR)

Tel +39 0442 631111 - Fax Servizio Commerciale: Italia +39 0442 631291 - Estero +39 0442 631293

Fax Servizio Tecnico +39 0442 631292 - Fax Ufficio Acquisti +39 0442 631292 - Fax Amministrazione +39 0442 631336

8099000 BRUC.GASOL.SIME MACK3 3500807



Posiz.	Codice	Descrizione
001	6291200	Casing
002	6291202	7 pin plug
003	6291203	Control box 555SE
004	6291204	P.E. cell
005	6279026	Capacitor 4 μ F
006	6291206	Support
007	6291207	Cover
008	6291209	Motor
009	6279002	Joint
010	6291211	Pump
011	6279004	Coil
012	6291213	Connecting lead
013	6279009	Regolator
014	6279011	Filter O-ring
015	6279010	Needle valve
016	6291217	O-ring
017	6291218	O-ring
018	6279008	Pump seal
019	6291220	Heater
020	6279005	Raccord
021	6291222	Coller
022	6291224	Electrode assembly
023	6291226	Cup-shaped head
024	6279012	Insulating board for FUEL
025	6291230	Flange
026	6279016	Electrode bracket

027	6291232	Nozzle holder
028	6291234	Thermostat assembly
029	6279024	Fan
030	6291236	Tube
031	6291238	Hydraulic jack
032	6291239	Air damper
033	6291240	Air damper
034	6291241	Connector
035	6291242	Flexible pipe
700	6291278	Nozzle GPH 0.55 60°S
710	6276200	Oil filter
711	6276201	Oil filter with recirculation