



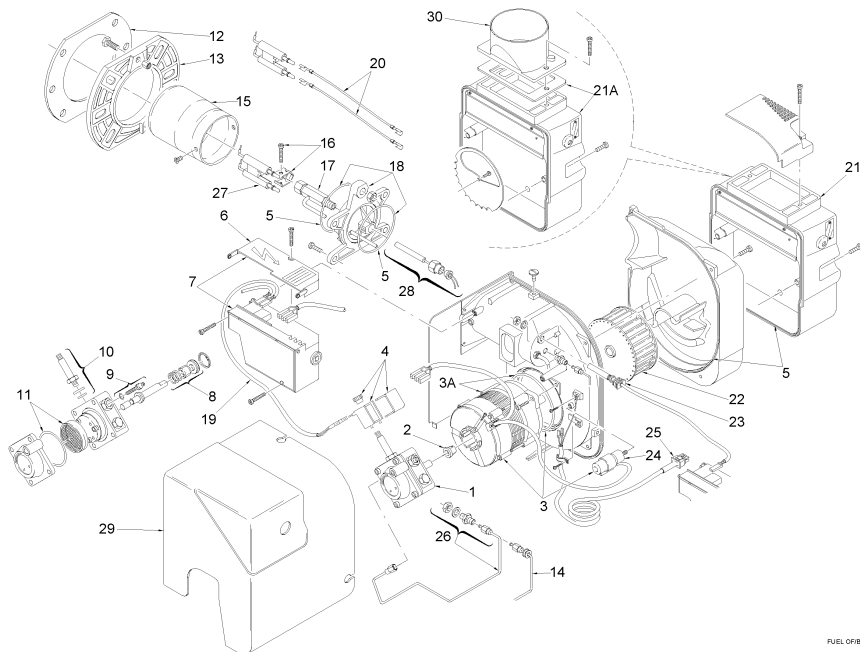
Fonderie Sime S.p.A. - Via Garbo, 27 - 37045 Legnago (VR) - www.sime.it
 Tribunale Verona 13531 - R.E.A. VR 171357 - C.C.P. 19423375 - N° Mecc. VR 014435
 Capitale Sociale Euro 5.521.200 int. versato - Codice Fiscale/Partita IVA n. IT 01275930236

Comfort Ambiente - Via Garbo, 27 - 37045 Legnago (VR)

Tel +39 0442 631111 - Fax Servizio Commerciale: Italia +39 0442 631291 - Estero +39 0442 631293

Fax Servizio Tecnico +39 0442 631292 - Fax Ufficio Acquisti +39 0442 631292 - Fax Amministrazione +39 0442 631336

6276121 BRUC.SIME FUEL 40 DT BFX



FUEL OFBF

Posiz.	Codice	Descrizione
001	6279001	Pump
002	6279002	Joint
003	6279063	Moteur + capacitor
003A	6300777	Moteur
004	6279004	Coil
005	6279044	Kit gaskets
006	6300779	Protection
007	6279007	Control box 535RSE/LD
008	6279008	Pump seal
009	6279009	Regolator
010	6279010	Needle valve
011	6279011	Filter O-ring
012	6279012	Insulating board for FUEL
013	6279013	Flange
014	6279029	Tube
015	6279047	Blast tube
016	6279016	Electrode bracket
017A	6279018	Nozzle holder
018A	6279020	Coller
019	6300796	Lead coil
020	6300786	High voltage lead
021	6300787	Air damper assembly
022B	6279048	Fan
023	6279025	P.e. cell
024	6279026	Capacitor 4 μ F
024A	6300789	Capacitor 4,5 μ F
025	6279027	Lead
027	6300792	Electrode assembly
029	6279034	Casing
030	6279078	BF air intake
700	6279038	Nozzle GPH 0.85 60°W