



Spare Parts List

M96A.24SM/C

M96A.28SM/C

M96A.32SM/C

M96A.24SR/C

M96A.28SR/C

Issue 07/2010

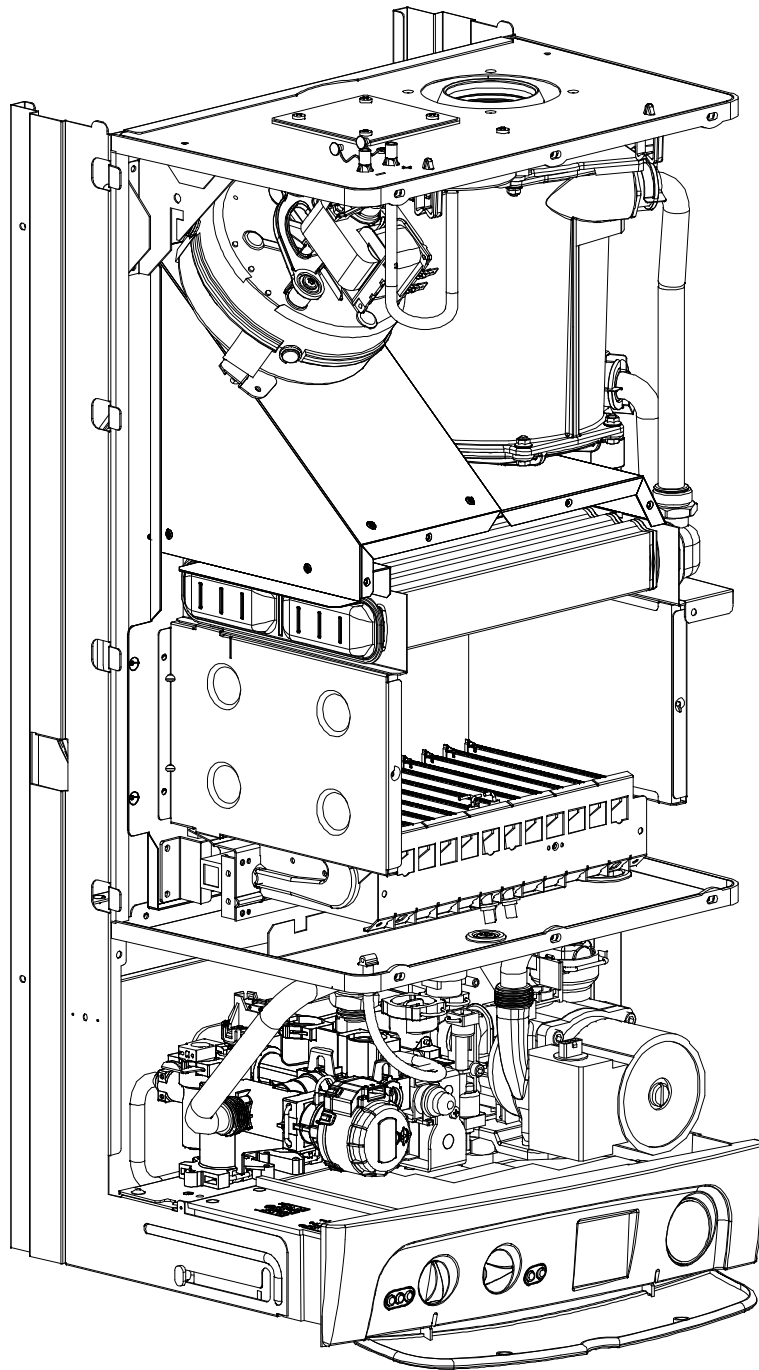
Table description	Issue	n. of pages
Overall view	12/2008	1
C.h. return group and d.h.w. heat exchanger	12/2008	1
C.h. flow group and three way diverter valve	12/2008	1
C.h. flow group and return groups up to serial no.N000540710	07/2010	1
C.h. flow group and return groups from serial no.N000550710	07/2010	1
Pump and main circuit assembly up to serial no. N017610510 M96A.24SM/C, M96A.28SM/C, M96A.32SM/C	07/2010	1
Pump and main circuit assembly from serial no. N017620510 M96A.24SM/C, M96A.28SM/C, M96A.32SM/C	07/2010	1
Pump and main circuit assembly up to serial no.N000540710 M96A.24SR/C, M96A.28SR/C	07/2010	1
Pump and main circuit assembly from serial no.N000550710 M96A.24SR/C, M96A.28SR/C	07/2010	1
Gas assembly	12/2008	1
Valves and connection pipes	12/2008	1
Control panel and ignition device	12/2008	1
Wiring up to serial no. N017610510	07/2010	1
Wiring from serial no. N017620510	07/2010	1
Fan, combustion chamber and case panels	12/2008	1
List of parts M96A.24SM/C, M96A.28SM/C, M96A.32SM/C	07/2010	8
List of parts M96A.24SR/C, M96A.28SR/C	07/2010	8

M96A.24SM/C
M96A.28SM/C
M96A.32SM/C
M96A.24SR/C
M96A.28SR/C

47-583-17
47-583-18
47-583-19
41-583-09
41-583-10

Overall view

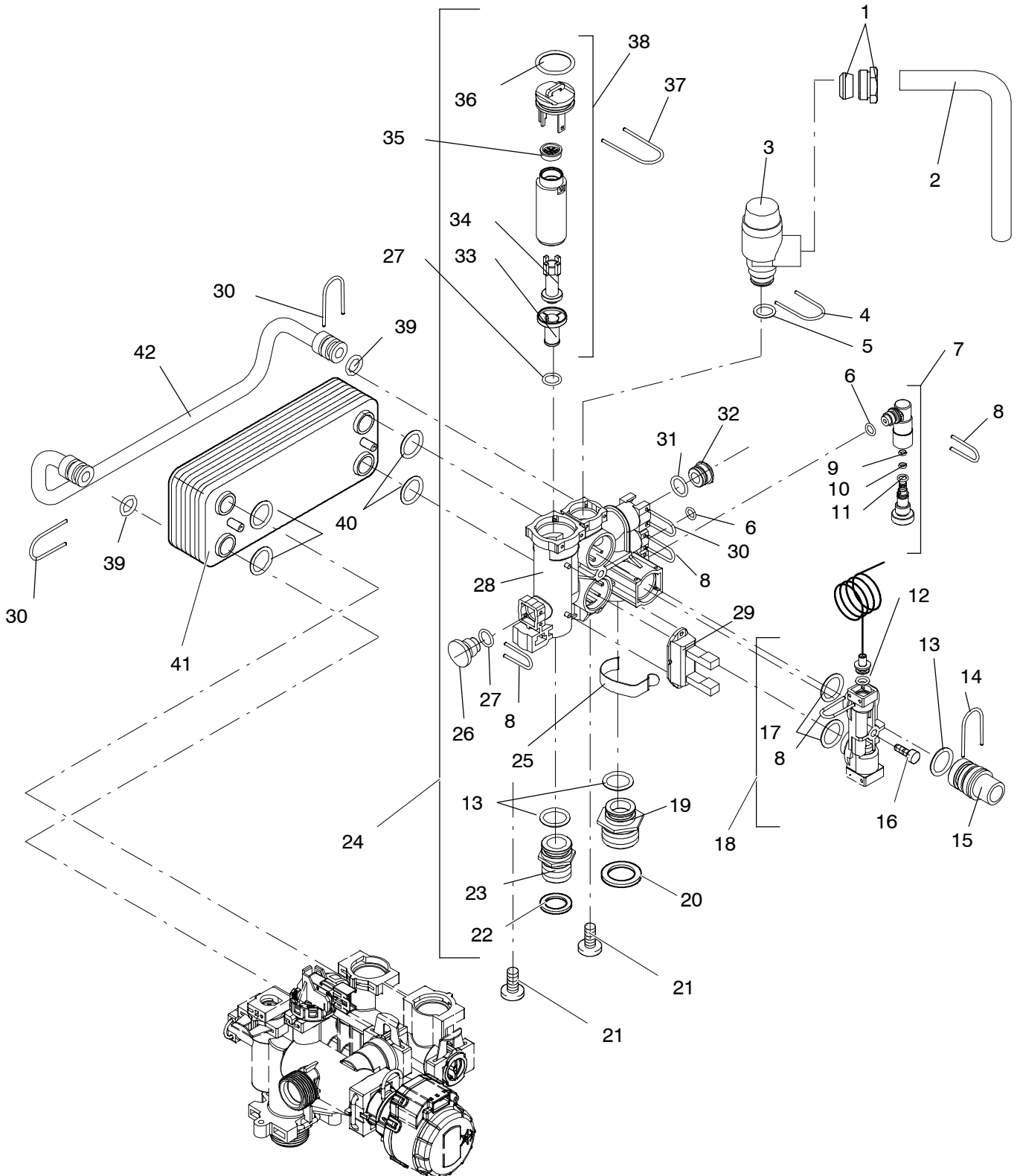
DATA BADGE: inner side of left case panel



M96A.24SM/C
M96A.28SM/C
M96A.32SM/C

47-583-17
47-583-18
47-583-19

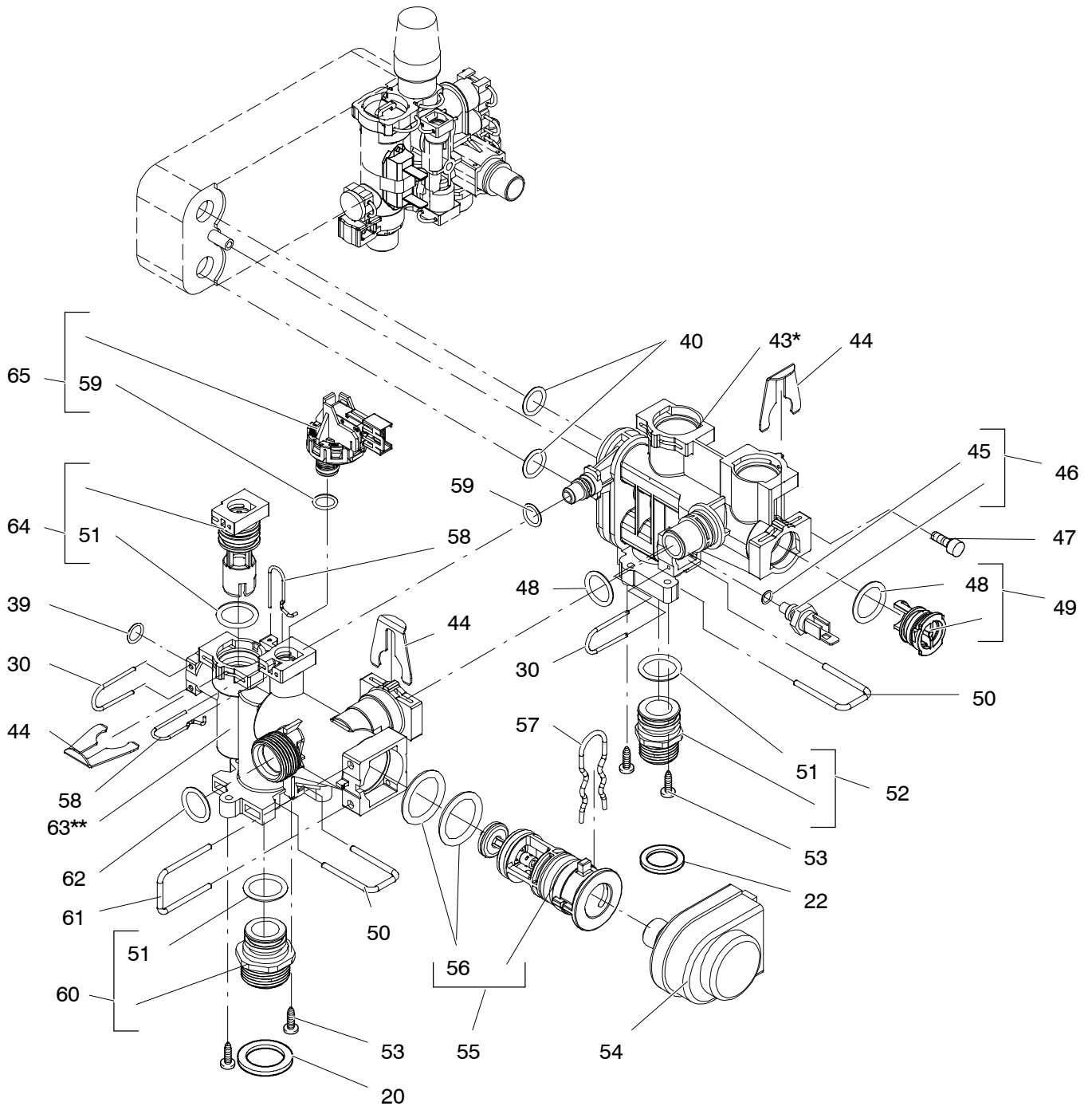
C.h. return group and d.h.w. heat exchanger



M96A.24SM/C
M96A.28SM/C
M96A.32SM/C

47-583-17
47-583-18
47-583-19

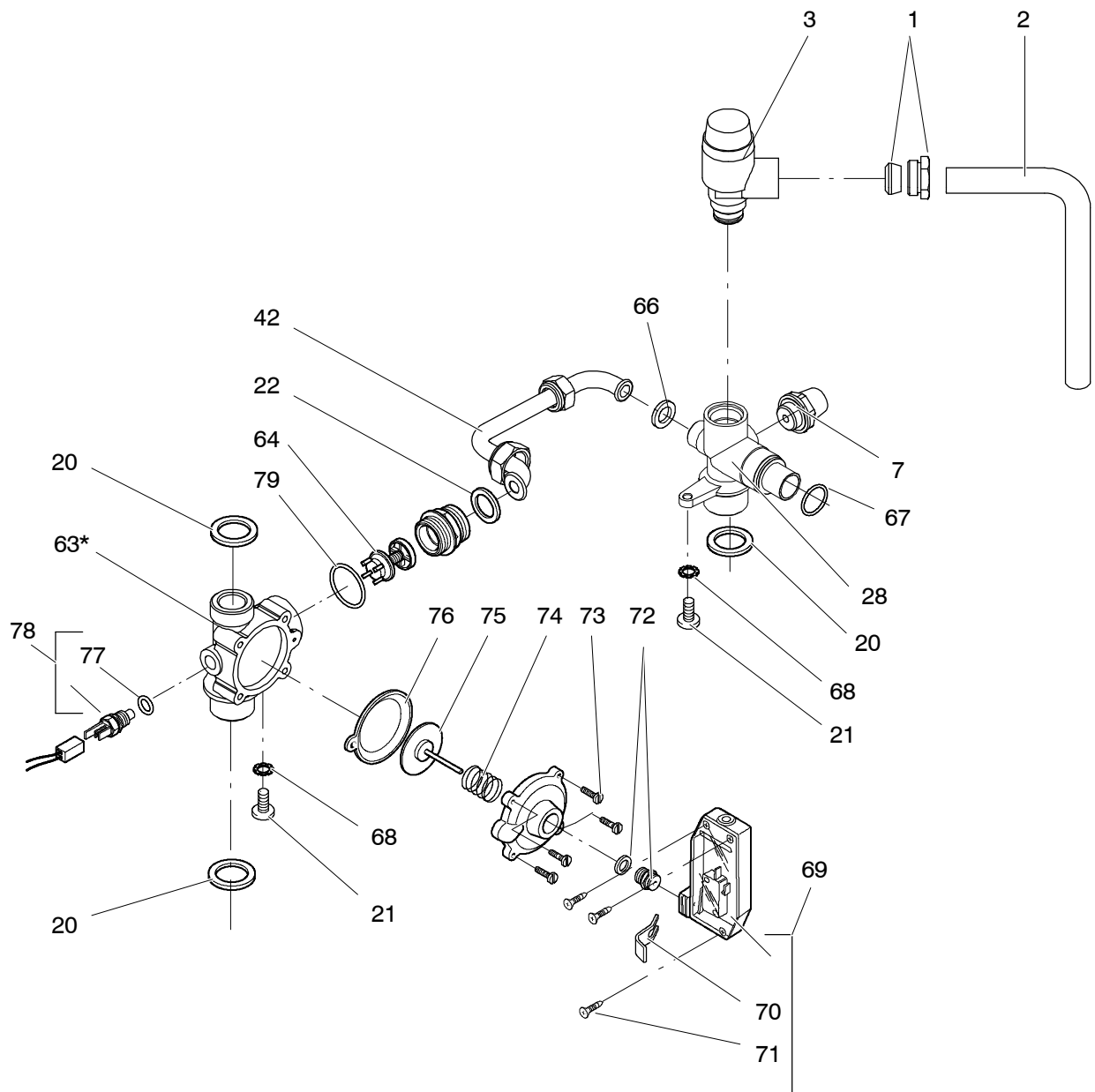
C.h. flow group and three way diverter valve



* Includes items 40, 45, 48, 51, 59

** Includes items 62, 39, 48, 51, 56, 59

C.h. flow and return groups up to serial no.N000540710

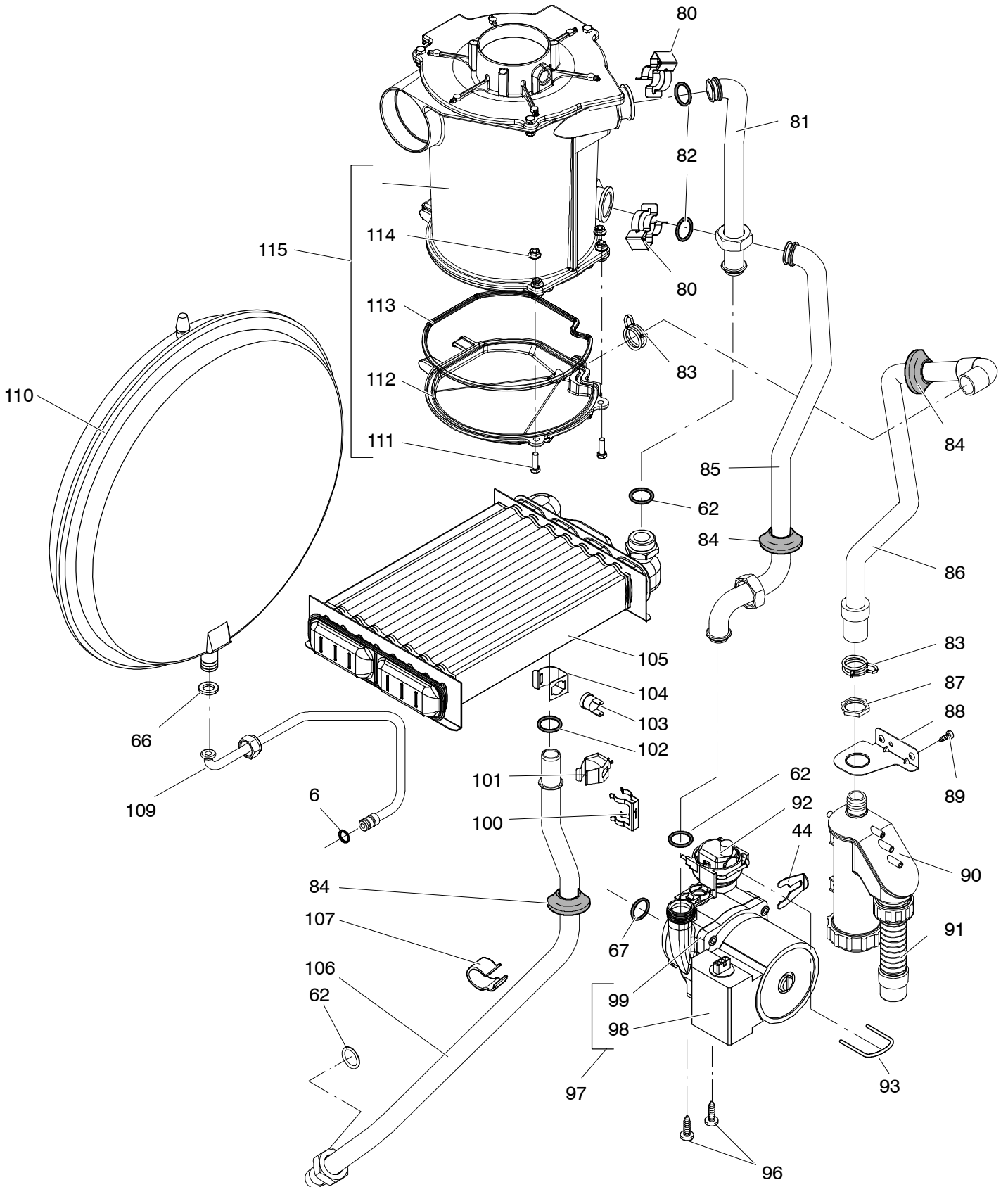


* Includes items 79, 76, 75, 74, 73, 72, 64

M96A.24SM/C
M96A.28SM/C
M96A.32SM/C

47-583-17
47-583-18
47-583-19

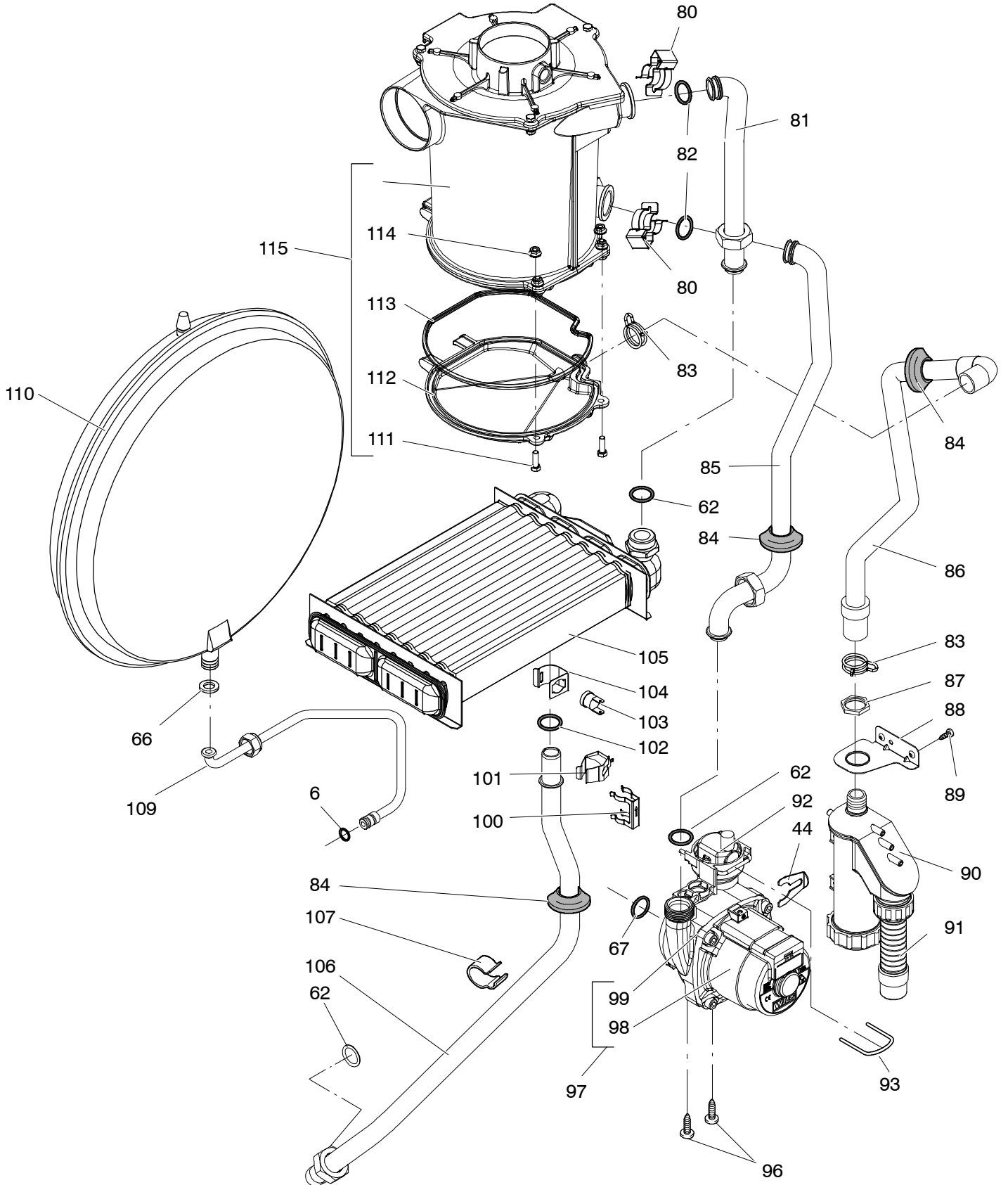
Pump and main circuit assembly up to serial no. N017610510



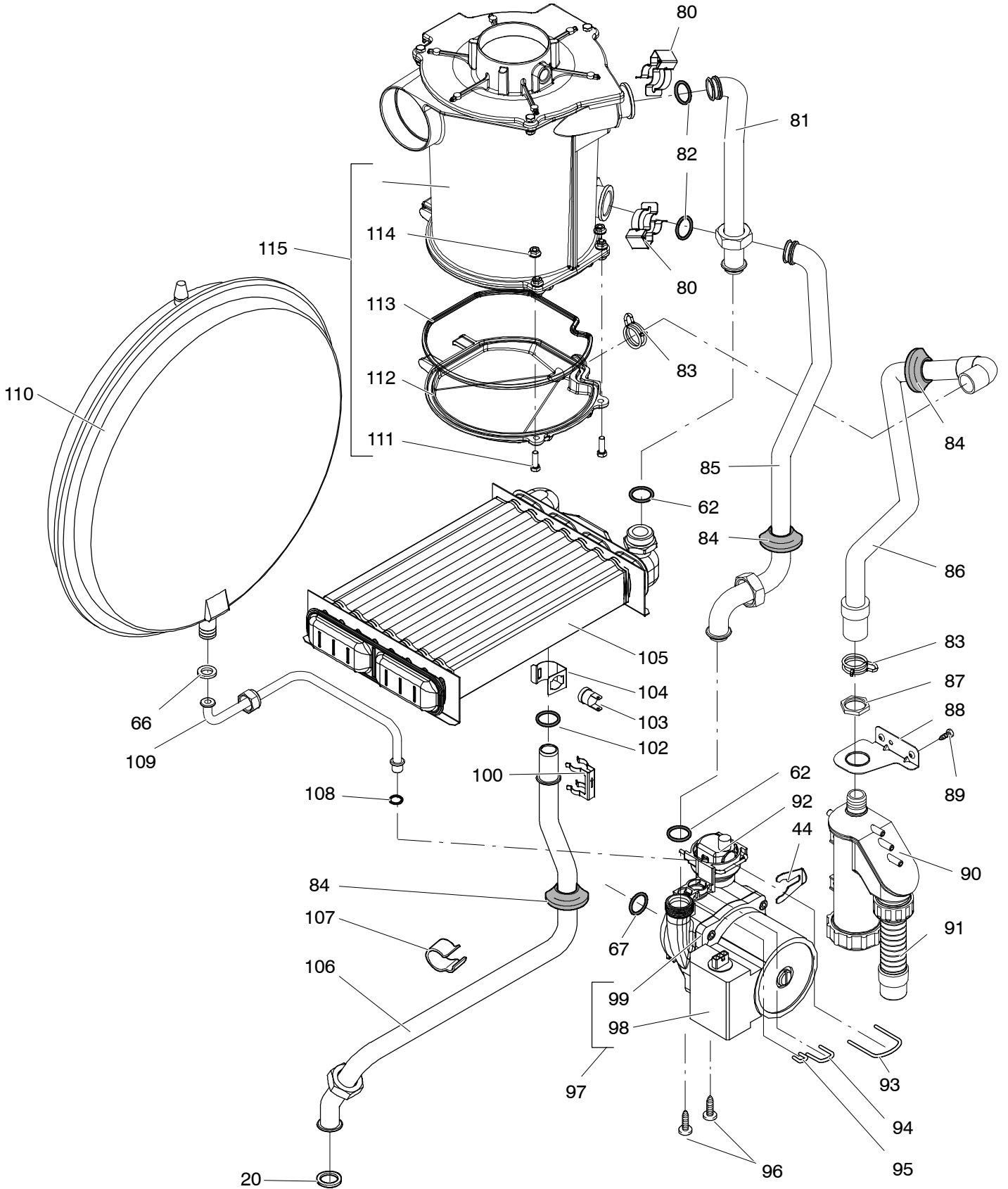
M96A.24SM/C
M96A.28SM/C
M96A.32SM/C

47-583-17
47-583-18
47-583-19

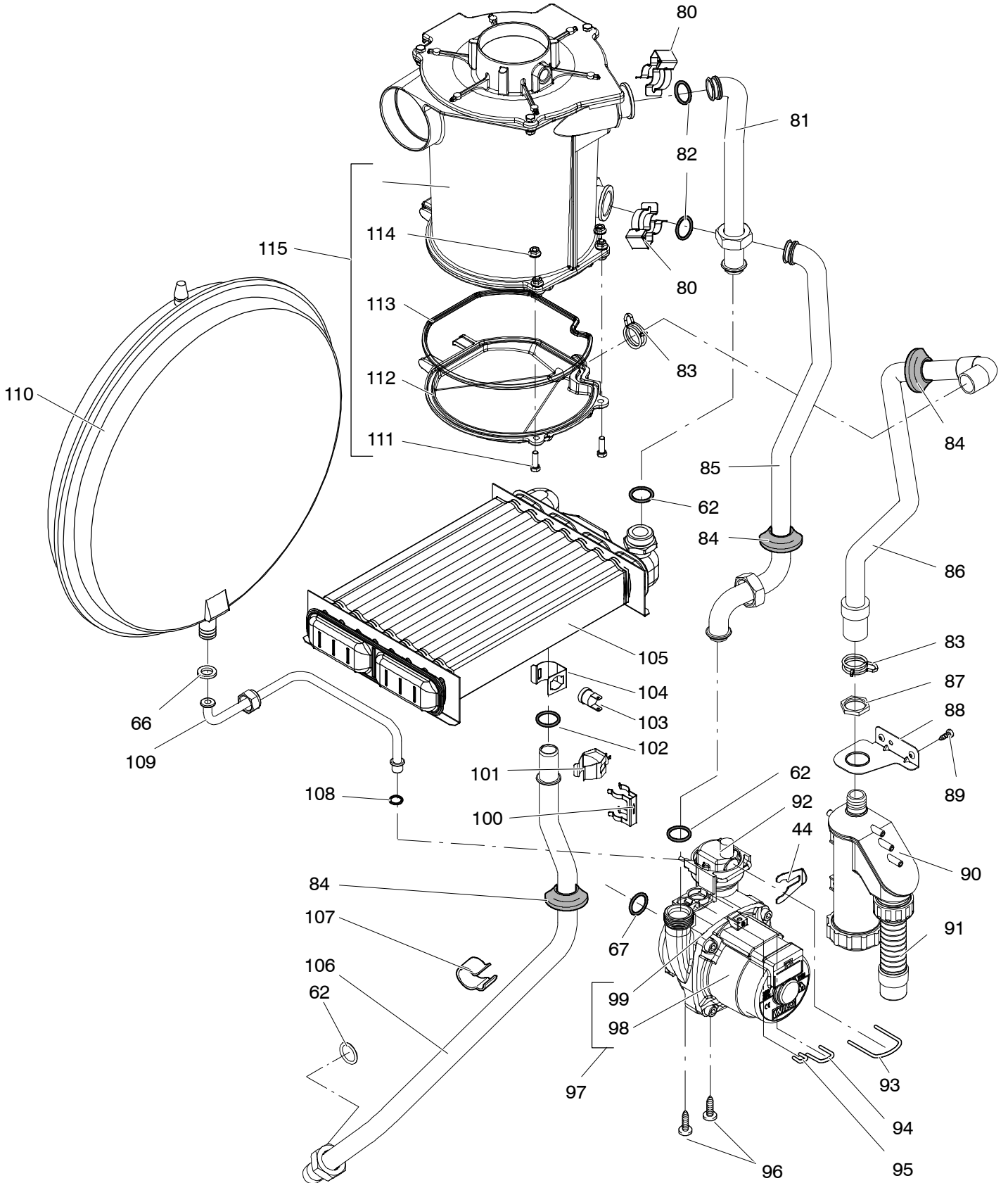
Pump and main circuit assembly from serial no. N017620510



Pump and main circuit assembly up to serial no.N000540710



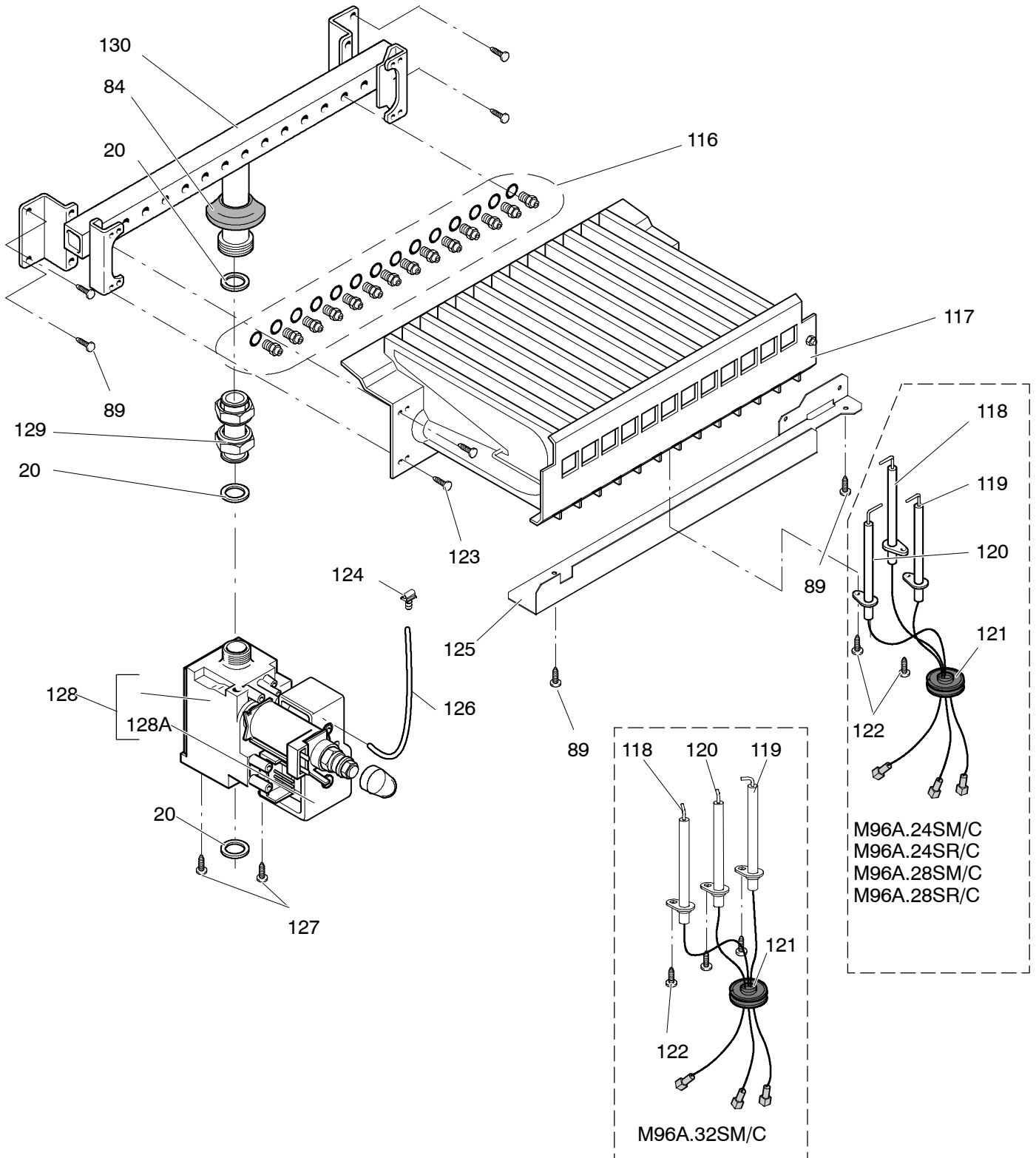
Pump and main circuit assembly from serial no.N000550710



M96A.24SM/C
M96A.28SM/C
M96A.32SM/C
M96A.24SR/C
M96A.28SR/C

47-583-17
47-583-18
47-583-19
41-583-09
41-583-10

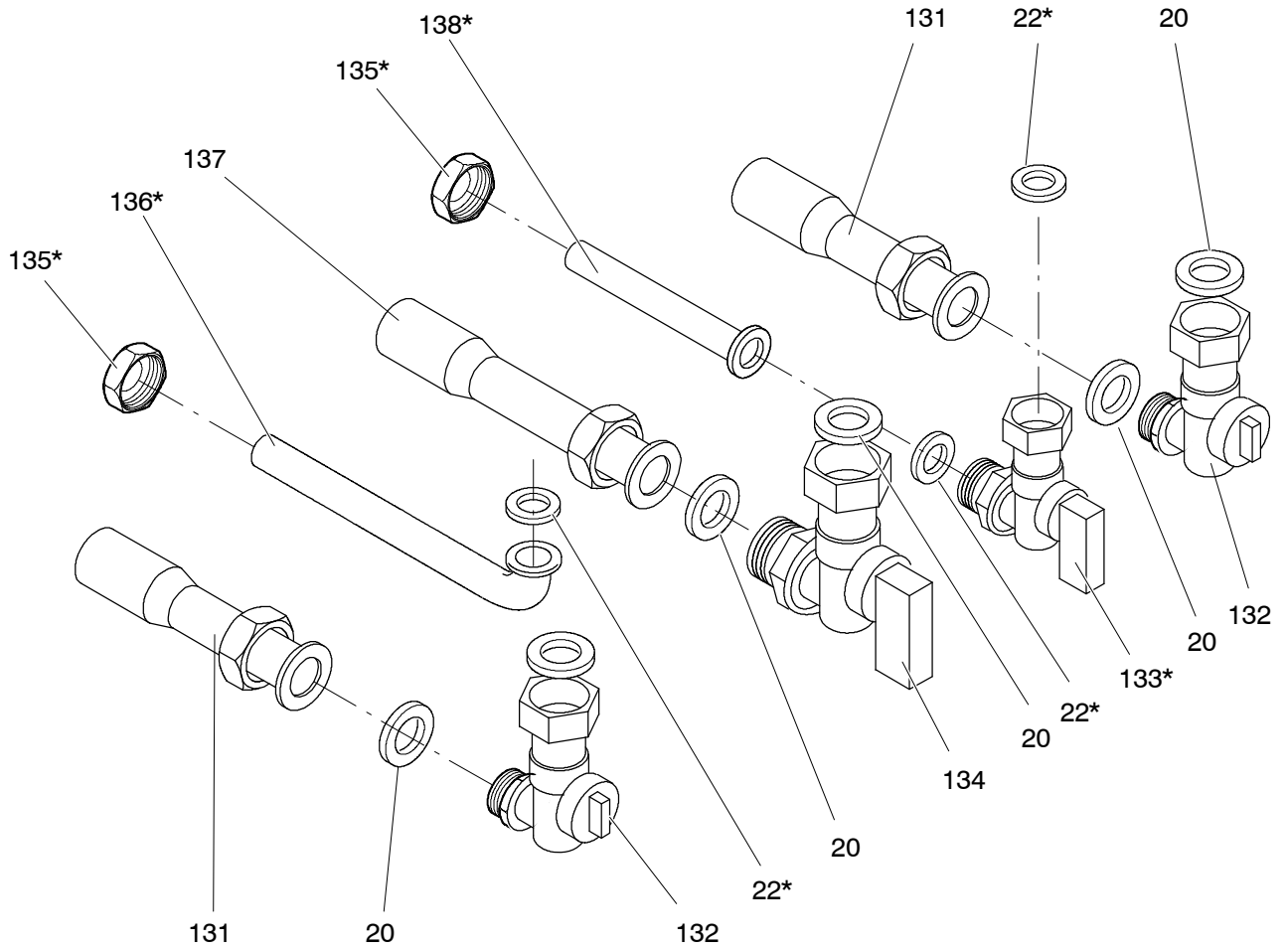
Gas assembly



M96A.24SM/C
M96A.28SM/C
M96A.32SM/C
M96A.24SR/C
M96A.28SR/C

47-583-17
47-583-18
47-583-19
41-583-09
41-583-10

Valves and connection pipes

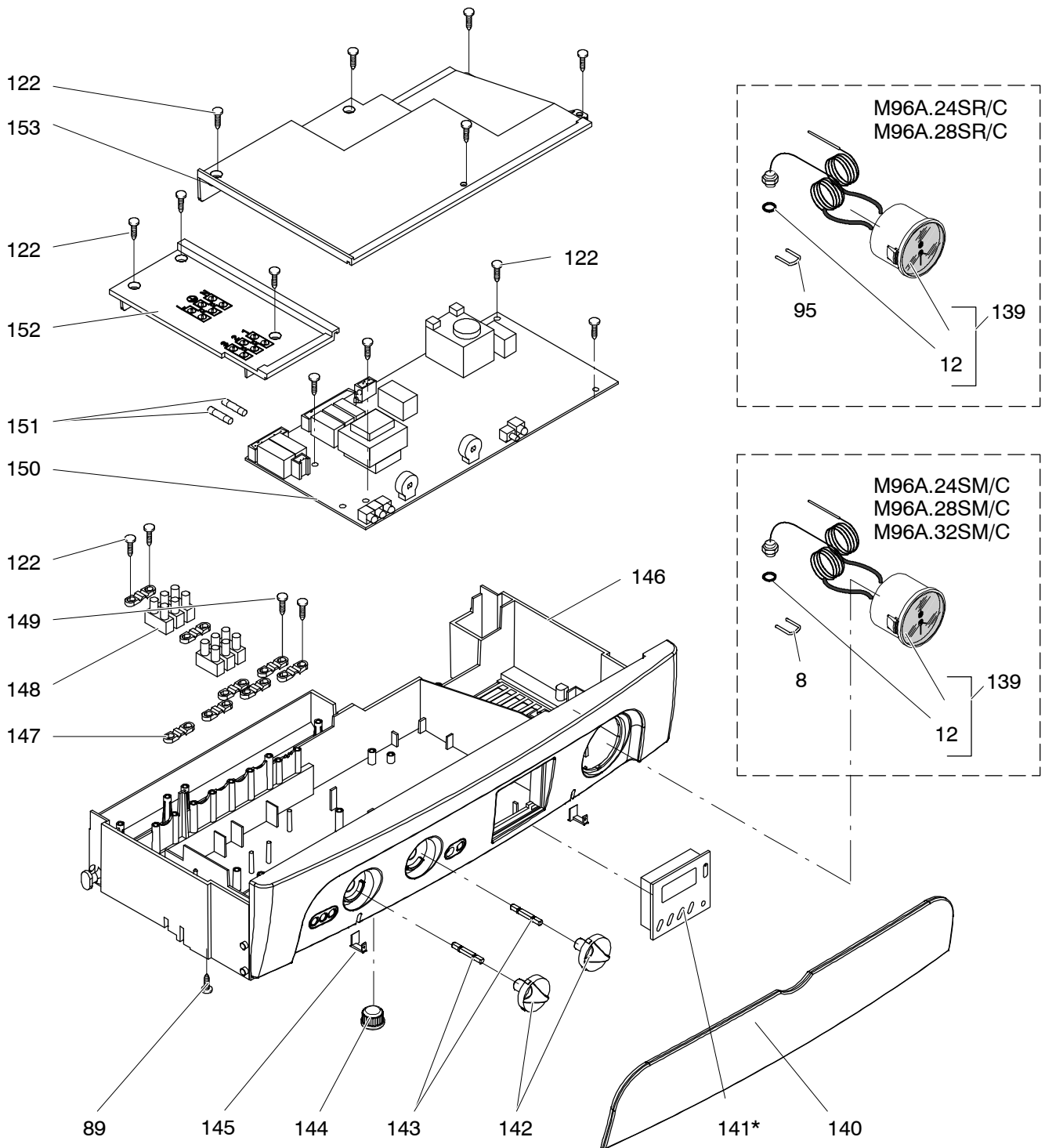


* Not for model M96A.24SR/C, M96A.28SR/C

M96A.24SM/C
M96A.28SM/C
M96A.32SM/C
M96A.24SR/C
M96A.28SR/C

47-583-17
47-583-18
47-583-19
41-583-09
41-583-10

Control panel and ignition device

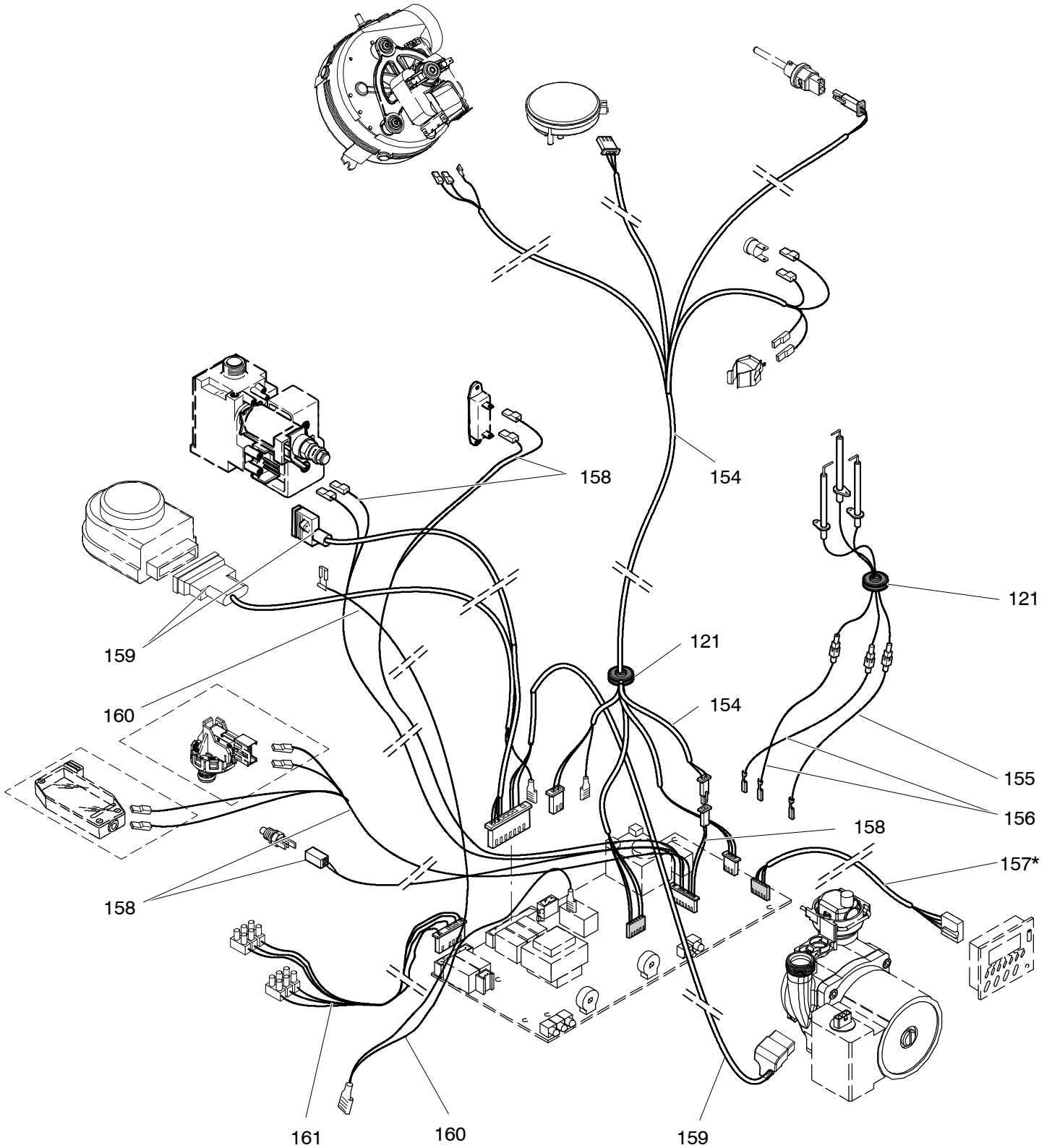


* Not for model M96A.24SR/C, M96A.28SR/C

M96A.24SM/C
M96A.28SM/C
M96A.32SM/C
M96A.24SR/C
M96A.28SR/C

47-583-17
47-583-18
47-583-19
41-583-09
41-583-10

Wiring up to serial no. N017610510

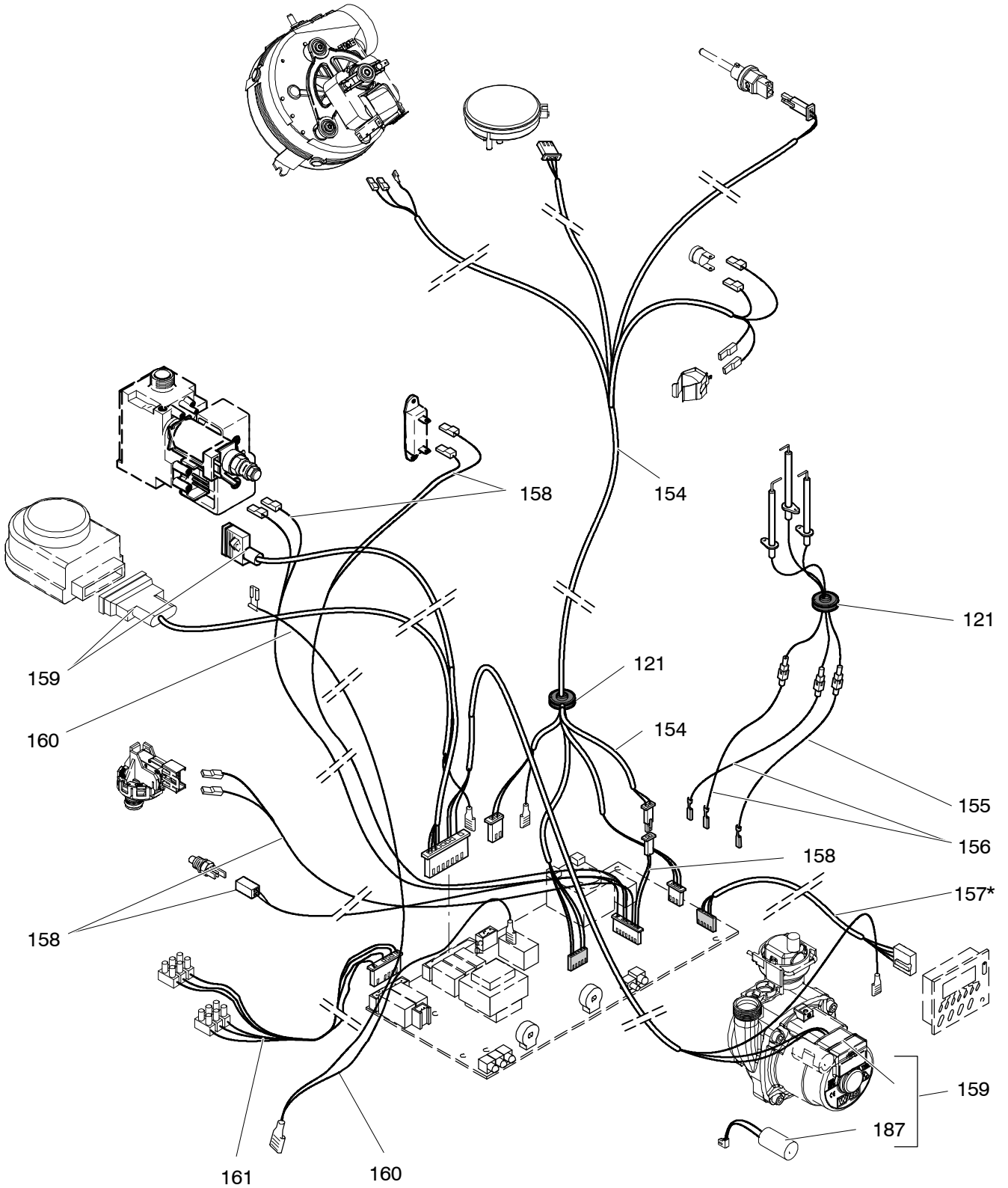


* Not for model M96A.24SR/C, M96A.28SR/C

M96A.24SM/C
M96A.28SM/C
M96A.32SM/C
M96A.24SR/C
M96A.28SR/C

47-583-17
47-583-18
47-583-19
41-583-09
41-583-10

Wiring from serial no. N017620510

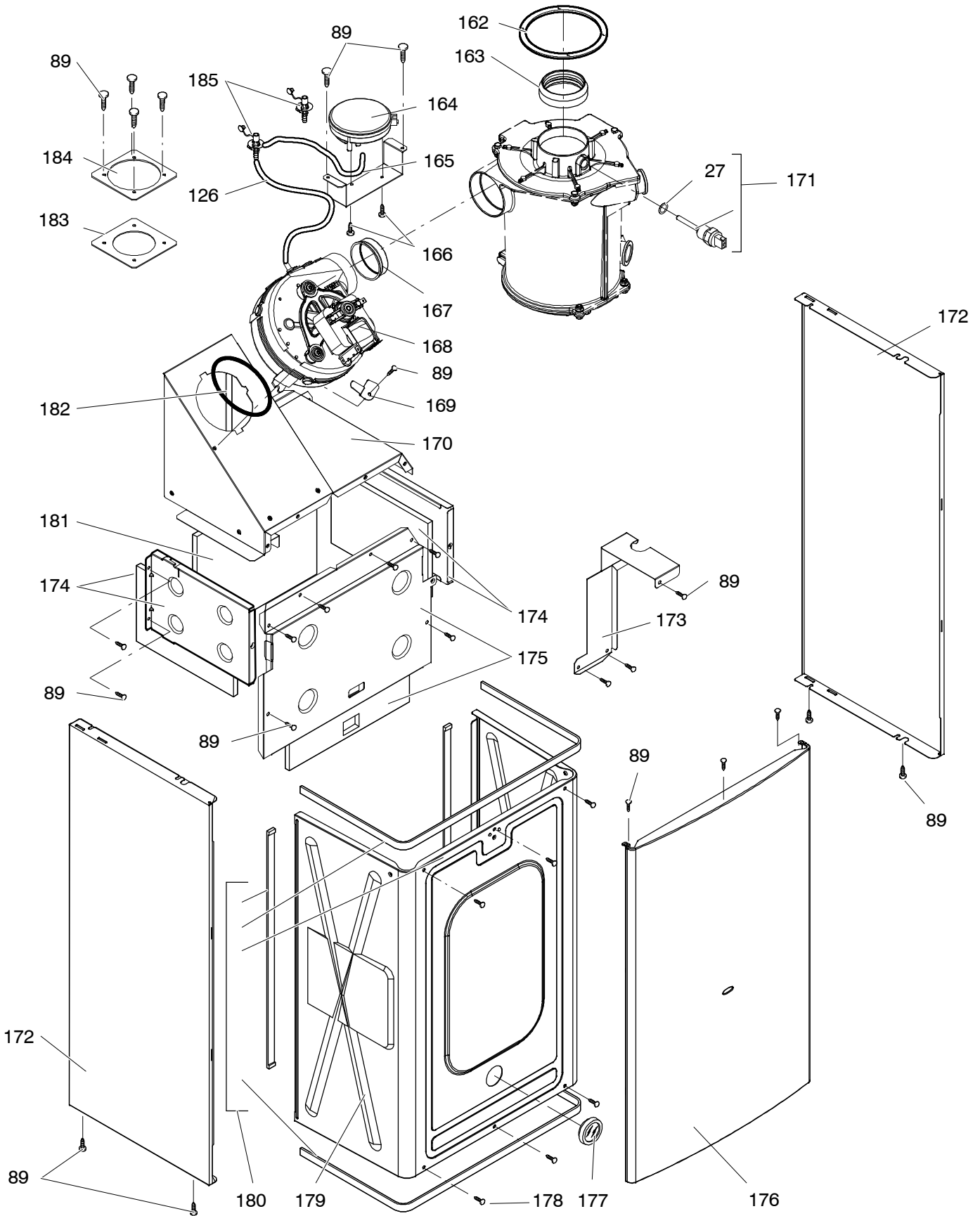


* Not for model M96A.24SR/C, M96A.28SR/C

M96A.24SM/C
M96A.28SM/C
M96A.32SM/C
M96A.24SR/C
M96A.28SR/C

47-583-17
47-583-18
47-583-19
41-583-09
41-583-10

Fan, combustion chamber and case panels



DRAFT BRITISH GAS PART LIST

Date _____
 Sheet 1 of 9
 Manufacturer Biasi SpA – Italy
 Appliance(s) M96A.24SM/C, M96A.28SM/C, M96A.32SM/C
 GC Appliance Number(s) 47–583–17, 47–583–18, 47–583–19
 Contract Name _____
 Telephone Number _____

(a)	(b)	(c)	(d)	(e)	(f)	(g)	(h)	(i)	(j)	(k)
Key no.	GC Part Number	Description	No. Off	Makers part number which have a CG number	Maker's old part number which have since been changed	Maker's new part number which DO NOT have a GC number	M B F	Original Supplier	Original Supplier part number	Retail price excl. VAT
		Position of data badge: inner side of left case panel								
		Instructions booklets set up to serial no. N017610510	1			BI1913 513	M			
		Instructions booklets set from serial no. N017620510	1			BI1913 519	M			
1	E23–759	Safety valve connection	1	BI1001 127			M			
2	H05–158	Safety valve connection pipe	1	BI1131 106			M			
3	H50–189	Safety valve 3 bar	1	BI1181 100			B	Watts Intermes	3 bar	
4	H50–480	Fork P.18,5	1	BI1181 101			M			
5	H50–481	O–ring gasket 2,62x15,08	1	BI1181 102			M			
6	H50–484	O–ring gasket 1,78x7,66	2	BI1182 108			M			
7	H50–398	Drainage valve	1	BI1181 501			M			
8	H50–473	Fork P.14	4	BI1181 107			M			
9	169–050	O–ring gasket 1,78x2,9	1	KI1043 145			M			
10	H50–488	O–ring gasket 1,78x3,69	1	BI1181 120			M			
11	169–014	O–ring gasket 1,78x6,07	1	KI1002 119			M			
12	E83–144	O–ring gasket 1,78 x 6,75	1	BI1475 119			M			
13	H50–467	O–ring gasket 2,62x17,13	3	BI1181 112			M			
14	169–026	Fork P.20.5	1	KI1031 101			M			
15	H50–487	Pump connection	1	BI1301 102			M			
16	H58–648	Screw M5x55 – Hexagon socket cap	1	BI1301 105			M			
17	H74–606	O–ring gasket 3x17	2	KI1003 114			M			
18	H50–491	Filling group kit	1	BI1181 507			M			
19	H50–470	Threaded connection c.h.	1	BI1181 114			M			
20	169–033	Flat gasket 3/4"	9	BI1001 108			M			
21	402–325	Screw M6x10 – BZP RPH	2	BI1172 115			F			
22	169–141	Gasket 1/2"	3	BI1001 106			M			

CONTINUATION SHEET

Sheet 2 of 9

Appliance number(s) 47-583-17, 47-583-18, 47-583-19

(a)	(b)	(c)	(d)	(e)	(f)	(g)	(h)	(i)	(j)	(k)
Key no.	GC Part Number	Description	No. Off	Makers part number which have a CG number	Maker's old part number which have since been changed	Maker's new part number which DO NOT have a GC number	M B F	Original Supplier	Original Supplier part number	Retail price excl. VAT
23	H50-468	Threaded connection d.h.w.	1	BI1181 115			M			
24	H50-492	Return group kit up to serial no. N017610510	1	BI1301 501			M			
		Return group kit from serial no. N017620510	1			BI1411 501	M			
25	H50-471	Reed fixing clip	1	BI1181 116			M			
26	H50-478	Return proup plug	1	BI1181 117			M			
27	H50-475	O-ring gasket 1,78x10,82	3	BI1181 110			M			
28	H50-399	Return group up to serial no. N017610510	1	BI1301 100			M			
		Return group from serial no. N017620510	1			BI1411 100	M			
29	169-010	D.h.w. flow switch	1	KI1042 107			M			
30	169-015	Fork P.14	3	KI1042 101			M			
31	E00-668	O-ring gasket 1,78x12,42	1	BI1001 115			M			
32	H50-482	Return group plug	1	BI1181 104			M			
33	H50-490	Filter	1	BI1181 106			M			
34	169-008	Float	1	KI1042 106			M			
35	H58-649	Flow limiter 10 Litres/min	1	BI1301 103			M			
35 A	H74-526	Flow limiter 14 Litres/min	1	BI1301 106			M			
36	E00-680	O-ring gasket 2,62x23,47	1	BI1011 107			M			
37	H50-479	Fork P.20	1	BI1181 103			M			
38	H50-400	Magnetic flow switch and filter kit	1	BI1181 500			M			
39	164-036	O-ring gasket 2,62x10,78	1	KI1002 121			M			
40	169-060	O-ring gasket 18,64x3,53	4	KI1043 144			M			
41	E01-204	Exchanger DHW - M96A.24SM/C,	1	BI1001 101			M			
41 A	E01-205	Exchanger DHW - M96A.28SM/C, M96A.32SM/C	1	BI1001 102			M			
42	H74-607	By-pass pipe up to serial no. N017610510	1	BI1301 107			M			
43	H74-527	Flow group kit d.h.w. up to serial no. N017610510	1	BI1351 100			M			

CONTINUATION SHEET

Sheet 3 of 9

Appliance number(s) 47-583-17, 47-583-18, 47-583-19

(a)	(b)	(c)	(d)	(e)	(f)	(g)	(h)	(i)	(j)	(k)
Key no.	GC Part Number	Description	No. Off	Makers part number which have a CG number	Maker's old part number which have since been changed	Maker's new part number which DO NOT have a GC number	M B F	Original Supplier	Original Supplier part number	Retail price excl. VAT
		Flow group kit d.h.w. from serial no. N017620510	1			BI1421 100	M			
44	H20-987	Pump connection fork	1	BI1262 116			M			
45	169-102	O-ring gasket 1,9x5,7	1	KI1042 102			M			
46	169-016	Temperature probe NTC d.h.w.	1	KI1042 501			M			
47	H74-528	Screw M5x35 - Hexagon socket cap	1	BI1351 101			F			
48	H74-529	O-ring gasket 2,62x15,54	2	BI1351 102			M			
49	H74-530	Flow group kit d.h.w. plug	1	BI1351 103			M			
50	H74-531	Fork P21,6	2	BI1351 104			M			
51	H74-532	O-ring gasket 2,62x17,96	3	BI1351 105			M			
52	H74-533	Threaded connection d.h.w.	1	BI1351 106			M			
53	H74-535	Tapping screw 5x12	4	BI1351 107			F			
54	H74-535	Diverter valve actuator	1	BI1351 108			M			
55	H74-536	Diverter valve kit	1	BI1351 109			M			
56	E00-680	O-ring gasket 2,62x23,47	2	BI1011 107			M			
57	H74-538	Diverter valve actuator fixing spring	1	BI1351 111			M			
58	H74-539	Fork P11	2	BI1351 112			M			
59	H74-540	O-ring gasket 1,90x8,90	1	BI1351 113			M			
60	H74-541	Threaded connection c.h.	1	BI1351 114			M			
61	H74-542	Fork P26	1	BI1351 115			M			
62	H20-981	O-ring gasket 2X17	2	BI1262 114			M			
63	H74-543	Flow group kit c.h. up to serial no. N017610510	1	BI1351 116			M			
		Flow group kit c.h. from serial no. N017620510	1			BI1421 101	M			
64	H74-544	By-pass kit	1	BI1351 117			M			
65	H74-545	Primary circuit pressure switch	1	BI1351 118			M			
66	H03-727	Flat gasket 3/8" O.D 15 mm, i.d. 8.5 mm	2	BI1202 105			M			

CONTINUATION SHEET

Sheet 4 of 9

Appliance number(s) 47-583-17, 47-583-18, 47-583-19

(a)	(b)	(c)	(d)	(e)	(f)	(g)	(h)	(i)	(j)	(k)
Key no.	GC Part Number	Description	No. Off	Makers part number which have a CG number	Maker's old part number which have since been changed	Maker's new part number which DO NOT have a GC number	M B F	Original Supplier	Original Supplier part number	Retail price excl. VAT
67	H20-945	O-ring gasket 17,04x4,00	5	BI1212 112			M			
80	H58-664	Condensing heat exchanger connection clip	2	BI1432 106			M			
81	H74-546	Condensing heat exchanger outlet pipe	1	BI1442 100			M			
82	H20-970	O-ring gasket 2,62x17,86	2	BI1262 112			M			
83	H20-972	Connection spring	2	BI1262 117			F			
84	169-104	Grommet	4	BI1002 113			M			
85	H74-547	Condensing heat exchanger inlet pipe	1	BI1442 101			M			
86	H74-548	Condensate discharge pipe	1	BI1442 102			M			
87	169-142	Lock-nut	1	KI1005 107			M			
88	H74-549	Condensate trap holder bracket	1	BI1442 103			M			
89	409-722	Tapping Screw ISO No8 B 4,2x9,5 Recessed Pan Head	34	BI1013 110			F			
		Hardened Steel BS4174 Bright Zinc plate BS1706 Clear								
		Passivated								
90	H74-550	Condensate trap	1	BI1442 104			M			
91	H74-551	Condensate connection hose	1	BI1442 105			M			
92	H20-986	Automatic air purger valve	1	BI1212 107			M			
93	H20-990	Fork	1	BI1262 120			M			
96	H20-992	Screw 5X16	2	BI1262 115			F			
97	H58-670	Pump (complete) up to serial no. N017610510	1	BI1911 103			M	Wilo	NFSL12/6HEP1 CRF9 83W	
		Pump (complete) from serial no. N017620510	1			BI1542 100	M	Wilo	INTNFSL12/6HEP1 83W	
98	H20-994	Pump (motor) up to serial no. N017610510	1	BI1262 119			B			
		Pump (motor) from serial no. N017620510	1			BI1542 101	B			
99	E83-114	Pump gasket	1	BI1172 113			M			
100	E94-737	Main exchanger connection clip	1	BI1182 106			M			
101	H74-553	Spring mounting temperature probe	1	BI1442 106			M			

CONTINUATION SHEET

Sheet 5 of 9

Appliance number(s) 47-583-17, 47-583-18, 47-583-19

(a)	(b)	(c)	(d)	(e)	(f)	(g)	(h)	(i)	(j)	(k)
Key no.	GC Part Number	Description	No. Off	Makers part number which have a CG number	Maker's old part number which have since been changed	Maker's new part number which DO NOT have a GC number	M B F	Original Supplier	Original Supplier part number	Retail price excl. VAT
102	169-025	O-ring gasket 17,04x3,53	1	KI1043 114			M			
103	E83-101	Overheat thermostat	1	BI1172 105			B	Elth	261 105°C	
104	E94-723	Overheat thermostat fixing clip	1	BI1182 100			M			
105	H20-984	Main exchanger M96A.24SM/C	1	BI1262 101			M			
105 A	H45-158	Main exchanger M96A.28SM/C	1	BI1262 130			M			
105 B	H74-598	Main exchanger M96A.32SM/C	1	BI1442 113			M			
106	H74-555	Main exchanger outlet pipe	1	BI1442 110			M			
107	169-045	Probe holder	1	BI1105 108			M			
109	H63-536	Expansion vessel connection pipe	1	BI1432 110			M			
110	E83-121	Expansion vessel M96A.24SM/C M96A.28SM/C	1	BI1172 103			B	Zilmet - Italy (alternative)	13C0000600	
110 A	E94-576	Expansion vessel M96A.32SM/C	1	BI1182 105			B	Zilmet - Italy (alternative)	13C0000600	
111	H74-556	Screw M5x16 mm Hexagon head	1	BI1442 112			F			
112	H74-557	Condensing heat exchanger bottom cover	1	BI1442 109			M			
113	H74-560	Condensing heat exchanger gasket	1	BI1442 108			M			
114	H74-562	Flanged nut M5 Hexagon	1	BI1442 111			F			
115	H74-563	Condensing heat exchanger	1	BI1442 107			M			
116	169-069	Injectors with gaskets 130 - NG M96A.24SM/C M96A.28SM/C	14	KI1064 505			B	Polidoro		
116 A	169-070	Injectors with gaskets 77 - LPG M96A.24SM/C M96A.28SM/C	14	KI1064 506			B	Polidoro		
116 B	H74-599	Injectors with gaskets 120 - NG M96A.32SM/C	15	BI1213 109			B	Polidoro		
116 C	H74-600	Injectors with gaskets 78 - LPG M96A.32SM/C	15	BI1213 110			B	Polidoro		
117	173-148	Burner M96A.24SM/C	1	KI1004 102			B	Polidoro		
117 A	173-149	Burner M96A.28SM/C	1	KI1004 147			B	Polidoro		
117 B	H74-601	Burner M96A.32SM/C	1	BI1213 108			B	Polidoro		

CONTINUATION SHEET

Sheet 6 of 9

Appliance number(s) 47-583-17, 47-583-18, 47-583-19

(a)	(b)	(c)	(d)	(e)	(f)	(g)	(h)	(i)	(j)	(k)
Key no.	GC Part Number	Description	No. Off	Makers part number which have a CG number	Maker's old part number which have since been changed	Maker's new part number which DO NOT have a GC number	M B F	Original Supplier	Original Supplier part number	Retail price excl. VAT
118	E83-122	Detection electrode M96A.24SM/C M96A.28SM/C	1	BI1123 102			M			
118 A	H05-183	Detection electrode M96A.32SM/C	1	BI1193 104			M			
119	E83-126	Ignition electrode - right M96A.24SM/C M96A.28SM/C	1	BI1123 103			M			
119 A	H05-185	Ignition electrode - right M96A.32SM/C	1	BI1193 103			M			
120	E83-127	Ignition electrode - left M96A.24SM/C M96A.28SM/C	1	BI1123 101			M			
120 A	H05-186	Ignition electrode - left M96A.32SM/C	1	BI1193 102			M			
121	169-125	Grommet	1	BI1002 115			M			
122	409-736	Tapping screw 3,5x9,5 recessed pan head	28	BI1013 115			F			
123	409-531	Taptite screw M4x8 Recessed pan head Hardened steel	4	BI1013 111			F			
		Bright Zinc Plated BS3382 Clear passivated and lanolin								
		Dipped								
124	H74-564	Compensating pressure sampling terminal	1	BI1213 105			M			
125	H74-565	Air deflector	1	BI1213 104			M			
126	E83-188	Fan pressure connection tube	1	BI1256 101			M			
127	402-124	Machine Screw M4x8 mm Recessed pan head Mild steel	2	BI1013 114			F			
		BS4183 Bright zinc plate BS3382 Clear passiv.								
128	H03-746	Gas valve	1	BI1193 105			B	Sit	0.845.083	
128 A	H08-602	Gas valve on-off operator coils		BI1093 107			B	Sit	0.967.158	
129	H21-019	Gas pipe to the manifold	1	BI1213 100			M			
130	E83-131	Gas manifold with injectors NG M96A.24SM/C	1	BI1183 103			B	Polidoro		
130 A	E83-132	Gas manifold with injectors LPG M96A.24SM/C	1	BI1183 104			B	Polidoro		
130 B	E83-133	Gas manifold with injectors NG M96A.28SM/C	1	BI1183 105			B	Polidoro		
130 C	E83-134	Gas manifold with injectors LPG M96A.28SM/C	1	BI1183 106			B	Polidoro		
130 D	H74-602	Gas manifold with injectors NG M96A.32SM/C	1	BI1213 106			B	Polidoro		
130 E	H74-603	Gas manifold with injectors LPG M96A.32SM/C	1	BI1213 107			B	Polidoro		

CONTINUATION SHEET

Sheet 7 of 9

Appliance number(s) 47-583-17, 47-583-18, 47-583-19

(a)	(b)	(c)	(d)	(e)	(f)	(g)	(h)	(i)	(j)	(k)
Key no.	GC Part Number	Description	No. Off	Makers part number which have a CG number	Maker's old part number which have since been changed	Maker's new part number which DO NOT have a GC number	M B F	Original Supplier	Original Supplier part number	Retail price excl. VAT
131	H21-025	C.h. connection pipe	2	BI1124 100			M			
132	E83-136	Tap 3/4" - c.h.	2	BI1084 105			B			
133	E83-137	Tap 1/2" - d.h.w.	1	BI1084 101			B			
134	E83-138	Tap 3/4" - gas	1	BI1084 100			B			
135	E01-226	Nut 1/2"	2	BI1004 101			M			
136	H21-027	Pipe 15 mm dia (bent) d.h.w.	1	BI1124 102			M			
137	E05-387	Pipe 22 mm dia gas	1	BI1014 112			M			
138	H21-030	Pipe 15 mm dia (straight) d.h.w.	1	BI1124 103			M			
139	E83-145	Temperature-pressure gauge	1	BI1475 108			M			
140	H32-562	Cover panel	1	BI1605 108			M			
141	E94-738	Time switch M96A.24SM/C, M96A.28SM/C, M96A.32SM/C	1	BI1525 101			B	Flash	Monotron 200 23011	
142	H27-577	Knob	2	BI1605 106			M			
143	E83-149	Shaft	2	BI1475 105			M			
144	E83-150	Control panel plug	1	BI1475 110			M			
145	H27-578	Hinge plugs (couple)	2	BI1605 107						
146	H32-564	Control panel box M96A.24SM/C, M96A.28SM/C, M96A.32SM/C	1	BI1715 103			M			
147	E83-152	Cable holder.	10	KI1066 208			B	Fastpoint S.r.l.	1207.BB01 XS	
148	E83-153	Terminal block	2	BI1475 109			B	Elettrogibi	PA27	
								Odoardo Korner (alternative)	OK-433-FV	
149	409-727	Screw 3,5x16 mm self tap RPH	8	BI1165 101			F			
150	H74-566	Electronic control - ignition p.c.b.	1	BI2015 100			M			
151	H44-170	Fuse 3,15AF	2	BI1295 108			B			
152	E83-155	Service panel cover	1	BI1475 111			M			
153	E83-156	Control panel cover	1	BI1475 112			M			

CONTINUATION SHEET

Sheet 8 of 9

Appliance number(s) 47-583-17, 47-583-18, 47-583-19

(a)	(b)	(c)	(d)	(e)	(f)	(g)	(h)	(i)	(j)	(k)
Key no.	GC Part Number	Description	No. Off	Makers part number which have a CG number	Maker's old part number which have since been changed	Maker's new part number which DO NOT have a GC number	M B F	Original Supplier	Original Supplier part number	Retail price excl. VAT
154	H74-567	Fan cable	1	BI2025 100			M			
155	H46-365	Flame detection electrode cable	1	BI1765 115			M			
156	H32-570	Ignition electrode cable	2	BI1765 102			M			
157	H74-569	Time switch cable up to serial no. N050511108	1	BI2025 102			M			
	E83-163	Time switch cable from serial no. N050521108	1	BI1485 111			M			
158	H74-570	Flow switches, temp. probes and modulator cable	1	BI2025 101			M			
159	H74-571	Pump-diverter valve-gas valve cable up to serial no. N017610510	1	BI2025 103			M			
		Pump-diverter valve-gas valve cable from serial no. N017620510	1			BI2175 100	M			
160	H74-572	Earth wiring	1	BI1765 121			M			
161	H39-041	Power supply and external control cable	1	BI1675 106			M			
162	169-110	Flue pipe gasket	1	BI1016 104			M			
163	H74-575	Flue outlet gasket	1	BI1536 101			M			
164	H74-576	Air pressure sensor	1	BI1536 103			B	Huba Control	401.93000	
165	E01-187	Flue pressure switch tube	1	BI1016 107			M			
166	E23-759	Screw 2,9x4,5 Recessend Pan Head Hardened Steel BS4174 Bright Zinc plate BS1706 Clear Passivated	2	BI1002 127			F			
167	H74-577	Fan outlet gasket	1	BI1536 102			M			
168	H74-578	Fan M96A.24SM/C	1	BI1536 105			B	FIME	GR03630 47W	
168 A	H74-580	Fan M96A.28SM/C	1	BI1536 106			B	FIME	GR03625 60W	
168 B	H74-604	Fan M96A.32SM/C	1	BI1536 113			B	FIME	GR04015 80W	
169	H74-583	Fan holder bracket	1	BI1536 107			M			
170	H74-584	Flue hood M96A.24SM/C	1	BI1536108			M			
170 A	H74-585	Flue hood M96A.28SM/C	1	BI1536 109			M			

CONTINUATION SHEET

Sheet 9 of 9

Appliance number(s) 47-583-17, 47-583-18, 47-583-19

(a)	(b)	(c)	(d)	(e)	(f)	(g)	(h)	(i)	(j)	(k)
Key no.	GC Part Number	Description	No. Off	Makers part number which have a CG number	Maker's old part number which have since been changed	Maker's new part number which DO NOT have a GC number	M B F	Original Supplier	Original Supplier part number	Retail price excl. VAT
170	B H74-605	Flue hood M96A.32SM/C	1	BI1536 114			M			
171	H74-589	Flue temperature probe NTC	1	BI1536 104			M			
172	H21-052	Side case panel	2	BI1406 106			M			
173	H74-590	Air deflector - right	1	BI1536 112			M			
174	E83-178	Combustion chamber side panel	2	BI1326 100			M			
175	H74-591	Combustion chamber front panel M96A.24SM/C	1	BI1536 110			M			
175	A H74-592	Combustion chamber front panel M96A.28SM/C	1	BI1536 111			M			
		M96A.32SM/C								
176	H32-600	Front case panel	1	BI1416 102			M			
177	E69-243	Window (glass + rubber frame)	1	BI1206 118			M			
178	409-747	Screw 4,8x13 mm AB self tapping RPH BZP	4	BI1336 114			F			
179	H21-059	Sealed chamber lid	1	BI1406 105			M			
180	H21-060	Sealed chamber gaskets kit	1	BI1406 500			M			
181	E83-180	Combustion chamber rear panel M96A.24SM/C	1	BI1326 107			M			
181	A E83-181	Combustion chamber rear panel M96A.28SM/C	1	BI1326 108			M			
		M96A.32SM/C								
182	H21-063	Fan inlet gasket	1	BI1406 111			M			
183	H21-070	Air restrictor d. 50	1	BI1406 115			M			
183	A H21-071	Air restrictor d. 55	1	BI1406 116			M			
184	E01-184	Gasket - Air intake twin kit	1	BI1016 101			M			
185	H74-593	Air switch pressure test point	2	BI1536 100			M			
187		Pump capacitor	1			BI2175 101	M			

DRAFT BRITISH GAS PART LIST

Date _____
 Sheet 1 of 8
 Manufacturer Biasi SpA – Italy
 Appliance(s) M96A.24SR/C, M96A.28SR/C,
 GC Appliance Number(s) 41–583–09, 41–583–10,
 Contract Name _____
 Telephone Number _____

(a)	(b)	(c)	(d)	(e)	(f)	(g)	(h)	(i)	(j)	(k)
Key no.	GC Part Number	Description	No. Off	Makers part number which have a CG number	Maker's old part number which have since been changed	Maker's new part number which DO NOT have a GC number	M B F	Original Supplier	Original Supplier part number	Retail price excl. VAT
		Position of data badge: inner side of left case panel								
		Instructions booklets set up to serial no.N000540710	1			BI1913 514	M			
		Instructions booklets set from serial no.N000550710	1			BI1913 520	M			
1	E23–759	Safety valve connection	1	BI1001 127			M			
2	H05–158	Safety valve connection pipe	1	BI1131 106			M			
3	E83–013	Safety valve 3 bar	1	BI1131 100			B	Watts Intermes	3 bar	
7	E00–669	Drainage valve	1	BI1011 104			B	Watts Intermes – Caldaro Italy	RSR8 1/4"	
12	E83–144	O–ring gasket 1,78 x 6,75	1	BI1475 119			M			
20	169–033	Flat gasket 3/4"	9	BI1001 108			M			
21	402–325	Screw M6x10 – BZP RPH	2	BI1172 115			F			
22	169–141	Gasket 1/2"	3	BI1001 106			M			
27	H50–475	O–ring gasket 1,78x10,82	3	BI1181 110			M			
28	H46–401	Return group kit	1	BI1171 105			M			
30	169–015	Fork P.14	3	KI1042 101			M			
39	164–036	O–ring gasket 2,62x10,78	1	KI1002 121			M			
42	H63–681	By–pass pipe up to serial no.N000540710	1	BI1171 106			M			
		By–pass pipe from serial no.N000550710	1			BI1371 103	M			
44	H20–987	Pump connection fork	1	BI1262 116			M			
48	H74–529	O–ring gasket 2,62x15,54	2	BI1351 102			M			
49	H74–530	Flow group kit c.h. plug	1	BI1351 103			M			
50	H74–531	Fork P21,6	2	BI1351 104			M			
51	H74–532	O–ring gasket 2,62x17,96	3	BI1351 105			M			
53	H74–535	Tapping screw 5x12	2	BI1351 107			F			
56	E00–680	O–ring gasket 2,62x23,47	1	BI1011 107			M			
58	H74–539	Fork P11	2	BI1351 112			M			

CONTINUATION SHEET

Sheet 2 of 8

Appliance number(s) 41-583-09, 41-583-10,

(a)	(b)	(c)	(d)	(e)	(f)	(g)	(h)	(i)	(j)	(k)
Key no.	GC Part Number	Description	No. Off	Makers part number which have a CG number	Maker's old part number which have since been changed	Maker's new part number which DO NOT have a GC number	M B F	Original Supplier	Original Supplier part number	Retail price excl. VAT
59	H74-540	O-ring gasket 1,90x8,90	1	Bl1351 113			M			
60	H74-541	Threaded connection c.h.	1	Bl1351 114			M			
61	H74-542	Fork P26	1	Bl1351 115			M			
62	H20-981	O-ring gasket 2X17	2	Bl1262 114			M			
63	H27-556	Flow group kit up to serial no.N000540710	1	Bl1171 103			M			
	H74-543	Flow group kit from serial no.N000550710	1	Bl1351 116			M			
64	H20-966	By-pass kit up to serial no.N000540710	1	Bl1141 505			M			
	H74-544	By-pass kit from serial no.N000550710	1	Bl1351 117			M			
65	H74-545	Primary circuit pressure switch	1	Bl1351 118			M			
66	H03-727	Flat gasket 3/8" O.D 15 mm, i.d. 8.5 mm	2	Bl1202 105			M			
67	H20-945	O-ring gasket 17,04x4,00	5	Bl1212 112			M			
68	E23-757	Toothed lock washer external 6,4 mm	2	Bl1001 124			F			
69	E00-684	Microswitch kit	1	Bl1011 505			M			
70	E00-683	Microswitch box fixing clip	1	Bl1011 105			M			
71	E00-682	Screw 2,9x13 mm AB self tapping BZP - RCH	3	Bl1011 108			F			
72	E00-681	Microswitch guide bush	1	Bl1011 502			M			
73	E00-685	Screw M4x12 mm Stainless steel SCH	4	Bl1011 109			F			
74	E00-686	Central heating pressure switch spring	1	Bl1011 110			M			
75	E00-687	Central heating pressure switch disk	1	Bl1011 111			M			
76	E00-688	Central heating pressure switch membrane	1	Bl1011 103			M			
77	H23-733	O-ring gasket 9,25x1,78 (NTC)	1	Kl1001 128			M			
78	164-026	Temperature probe	1	Bl1001 117			M			
79	E00-680	O-ring gasket 2,62x23,47	1	Bl1011 107			M			
80	H58-664	Condensing heat exchanger connection clip	2	Bl1432 106			M			
81	H74-546	Condensing heat exchanger outlet pipe	1	Bl1442 100			M			

CONTINUATION SHEET

Sheet 3 of 8

Appliance number(s) 41-583-09, 41-583-10,

(a)	(b)	(c)	(d)	(e)	(f)	(g)	(h)	(i)	(j)	(k)
Key no.	GC Part Number	Description	No. Off	Makers part number which have a CG number	Maker's old part number which have since been changed	Maker's new part number which DO NOT have a GC number	M B F	Original Supplier	Original Supplier part number	Retail price excl. VAT
82	H20-970	O-ring gasket 2,62x17.86	2	BI1262 112			M			
83	H20-972	Connection spring	2	BI1262 117			F			
84	169-104	Grommet	4	BI1002 113			M			
85	H74-547	Condensing heat exchanger inlet pipe	1	BI1442 101			M			
86	H74-548	Condensate discharge pipe	1	BI1442 102			M			
87	169-142	Lock-nut	1	KI1005 107			M			
88	H74-549	Condensate trap holder bracket	1	BI1442 103			M			
89	409-722	Tapping Screw ISO No8 B 4,2x9,5 Recessed Pan Head	34	BI1013 110			F			
		Hardened Steel BS4174 Bright Zinc plate BS1706 Clear								
		Passivated								
90	H74-550	Condensate trap	1	BI1442 104			M			
91	H74-551	Condensate connection hose	1	BI1442 105			M			
92	H20-986	Automatic air purger valve	1	BI1212 107			M			
93	H20-990	Fork	1	BI1262 120			M			
94	169-015	Fork	1	KI1042 101			M			
95	169-040	Fork	1	KI1042 115			M			
96	H20-992	Screw 5X16	2	BI1262 115			F			
97	H20-993	Pump (complete) up to serial no.N000540710	1	BI1262 103			M	Wilo	NFSL12/6-1 HE CRF9-S 82W	
		Pump (complete) from serial no.N000550710	1			BI1552 100	M	Wilo	INTNFSL12/6HEP1 83W	
98	H20-994	Pump (motor) up to serial no.N000540710	1	BI1262 119			B			
		Pump (motor) from serial no.N000550710	1			BI1542 101	B			
99	E83-114	Pump gasket	1	BI1172 113			M			
100	E94-737	Main exchanger connection clip	1	BI1182 106			M			
101	H74-553	Spring mounting temperature probe	1	BI1442 106			M			
102	169-025	O-ring gasket 17,04x3,53	1	KI1043 114			M			

CONTINUATION SHEET

Sheet 4 of 8

Appliance number(s) 41-583-09, 41-583-10,

(a)	(b)	(c)	(d)	(e)	(f)	(g)	(h)	(i)	(j)	(k)
Key no.	GC Part Number	Description	No. Off	Makers part number which have a CG number	Maker's old part number which have since been changed	Maker's new part number which DO NOT have a GC number	M B F	Original Supplier	Original Supplier part number	Retail price excl. VAT
103	E83-101	Overheat thermostat	1	BI1172 105			B	Elth	261 105°C	
104	E94-723	Overheat thermostat fixing clip	1	BI1182 100			M			
105	H20-984	Main exchanger M96A.24SR/C	1	BI1262 101			M			
105 A	H45-158	Main exchanger M96A.28SR/C	1	BI1262 130			M			
106	H27-563	Main exchanger outlet pipe up to serial no.N000540710	1	BI1262 121			M			
	H74-555	Main exchanger outlet pipe from serial no.N000550710	1	BI1442 110			M			
107	169-045	Probe holder	1	BI1105 108			M			
108	H20-996	O-ring gasket 2,62X9,92	1	BI1262 113			M			
109	H20-997	Expansion vessel connection pipe	1	BI1262 105			M			
110	E83-121	Expansion vessel M96A.24SR/C M96A.28SR/C	1	BI1172 103			B	Zilmet - Italy (alternative)	13C0000600	
111	H74-556	Screw M5x16 mm Hexagon head	1	BI1442 112			F			
112	H74-557	Condensing heat exchanger bottom cover	1	BI1442 109			M			
113	H74-560	Condensing heat exchanger gasket	1	BI1442 108			M			
114	H74-562	Flanged nut M5 Hexagon	1	BI1442 111			F			
115	H74-563	Condensing heat exchanger	1	BI1442 107			M			
116	169-069	Injectors with gaskets 130 - NG M96A.24SR/C	14	KI1064 505			B	Polidoro		
		M96A.28SR/C								
116 A	169-070	Injectors with gaskets 77 - LPG M96A.24SR/C	14	KI1064 506			B	Polidoro		
		M96A.28SR/C								
117	173-148	Burner M96A.24SR/C	1	KI1004 102			B	Polidoro		
117 A	173-149	Burner M96A.28SR/C	1	KI1004 147			B	Polidoro		
118	E83-122	Detection electrode	1	BI1123 102			M			
119	E83-126	Ignition electrode - right	1	BI1123 103			M			
120	E83-127	Ignition electrode - left	1	BI1123 101			M			
121	169-125	Grommet	1	BI1002 115			M			

CONTINUATION SHEET

Sheet 5 of 8

Appliance number(s) 41-583-09, 41-583-10,

(a)	(b)	(c)	(d)	(e)	(f)	(g)	(h)	(i)	(j)	(k)
Key no.	GC Part Number	Description	No. Off	Makers part number which have a CG number	Maker's old part number which have since been changed	Maker's new part number which DO NOT have a GC number	M B F	Original Supplier	Original Supplier part number	Retail price excl. VAT
122	409-736	Tapping screw 3,5x9,5 recessed pan head	28	BI1013 115			F			
123	409-531	Taptite screw M4x8 Recessed pan head Hardened steel	4	BI1013 111			F			
		Bright Zinc Plated BS3382 Clear passivated and lanolin								
		Dipped								
124	H74-564	Compensating pressure sampling terminal	1	BI1213 105			M			
125	H74-565	Air deflector	1	BI1213 104			M			
126	E83-188	Fan pressure connection tube	1	BI1256 101			M			
127	402-124	Machine Screw M4x8 mm Recessed pan head Mild steel	2	BI1013 114			F			
		BS4183 Bright zinc plate BS3382 Clear passiv.								
128	H03-746	Gas valve	1	BI1193 105			B	Sit	0.845.083	
128 A	H08-602	Gas valve on-off operator coils		BI1093 107			B	Sit	0.967.158	
129	H21-019	Gas pipe to the manifold	1	BI1213 100			M			
130	E83-131	Gas manifold with injectors NG M96A.24SR/C	1	BI1183 103			B	Polidoro		
130 A	E83-132	Gas manifold with injectors LPG M96A.24SR/C	1	BI1183 104			B	Polidoro		
130 B	E83-133	Gas manifold with injectors NG M96A.28SR/C	1	BI1183 105			B	Polidoro		
130 C	E83-134	Gas manifold with injectors LPG M96A.28SR/C	1	BI1183 106			B	Polidoro		
131	H21-025	C.h. connection pipe	2	BI1124 100			M			
132	E83-136	Tap 3/4" - c.h.	2	BI1084 105			B			
134	E83-138	Tap 3/4" - gas	1	BI1084 100			B			
137	E05-387	Pipe 22 mm dia gas	1	BI1014 112			M			
139	E83-145	Temperature-pressure gauge	1	BI1475 108			M			
140	H32-562	Cover panel	1	BI1605 108			M			
142	H27-577	Knob	2	BI1605 106			M			
143	E83-149	Shaft	2	BI1475 105			M			
144	E83-150	Control panel plug	1	BI1475 110			M			

CONTINUATION SHEET

Sheet 6 of 8

Appliance number(s) 41-583-09, 41-583-10,

(a)	(b)	(c)	(d)	(e)	(f)	(g)	(h)	(i)	(j)	(k)
Key no.	GC Part Number	Description	No. Off	Makers part number which have a CG number	Maker's old part number which have since been changed	Maker's new part number which DO NOT have a GC number	M B F	Original Supplier	Original Supplier part number	Retail price excl. VAT
145	H27-578	Hinge plugs (couple)	2	BI1605 107						
146		Control panel box M96A.24SR/C, M96A.28SR/C	1			BI1715 104	M			
147	E83-152	Cable holder.	10	KI1066 208			B	Fastpoint S.r.l.	1207.BB01 XS	
148	E83-153	Terminal block	2	BI1475 109			B	Elettrogibi	PA27	
								Odoardo Korner (alternative)	OK-433-FV	
149	409-727	Screw 3,5x16 mm self tap RPH	8	BI1165 101			F			
150	H74-566	Electronic control - ignition p.c.b.	1	BI2015 100			M			
151	H44-170	Fuse 3,15AF	2	BI1295 108			B			
152	E83-155	Service panel cover	1	BI1475 111			M			
153	E83-156	Control panel cover	1	BI1475 112			M			
154		Fan cable up to serial no.N000540710	1			BI2025 106	M			
	H74-567	Fan cable from serial no.N000550710	1	BI2025 100			M			
155	H46-365	Flame detection electrode cable	1	BI1765 115			M			
156	H32-570	Ignition electrode cable	2	BI1765 102			M			
158	H46-380	Flow switch, temp. probe and modulator cable up to serial	1	BI1765 106			M			
		no.N000540710								
		Flow switch, temp. probe and modulator cable from serial	1			BI2185 100	M			
		no.N000550710								
159		Pump-gas valve cable up to serial no.N000540710	1			BI2025 105	M			
		Pump-gas valve cable from serial no.N000550710	1			BI2185 101	M			
160	H74-572	Earth wiring	1	BI1765 121			M			
161	H39-041	Power supply and external control cable	1	BI1675 106			M			
162	169-110	Flue pipe gasket	1	BI1016 104			M			
163	H74-575	Flue outlet gasket	1	BI1536 101			M			
164	H74-576	Air pressure sensor	1	BI1536 103			B	Huba Control	401.93000	

CONTINUATION SHEET

Sheet 7 of 8

Appliance number(s) 41-583-09, 41-583-10,

(a)	(b)	(c)	(d)	(e)	(f)	(g)	(h)	(i)	(j)	(k)
Key no.	GC Part Number	Description	No. Off	Makers part number which have a CG number	Maker's old part number which have since been changed	Maker's new part number which DO NOT have a GC number	M B F	Original Supplier	Original Supplier part number	Retail price excl. VAT
165	E01-187	Flue pressure switch tube	1	BI1016 107			M			
166	E23-759	Screw 2,9x4,5 Recessend Pan Head Hardened Steel	2	BI1002 127			F			
		BS4174 Bright Zinc plate BS1706 Clear Passivated								
167	H74-577	Fan outlet gasket	1	BI1536 102			M			
168	H74-578	Fan M96A.24SR/C	1	BI1536 105			B	FIME	GR03630 47W	
168 A	H74-580	Fan M96A.28SR/C	1	BI1536 106			B	FIME	GR03625 60W	
169	H74-583	Fan holder bracket	1	BI1536 107			M			
170	H74-584	Flue hood M96A.24SR/C	1	BI1536108			M			
170 A	H74-585	Flue hood M96A.28SR/C	1	BI1536 109			M			
171	H74-589	Flue temperature probe NTC	1	BI1536 104			M			
172	H21-052	Side case panel	2	BI1406 106			M			
173	H74-590	Air deflector - right	1	BI1536 112			M			
174	E83-178	Combustion chamber side panel	2	BI1326 100			M			
175	H74-591	Combustion chamber front panel M96A.24SR/C	1	BI1536 110			M			
175 A	H74-592	Combustion chamber front panel M96A.28SR/C	1	BI1536 111			M			
176	H32-600	Front case panel	1	BI1416 102			M			
177	E69-243	Window (glass + rubber frame)	1	BI1206 118			M			
178	409-747	Screw 4,8x13 mm AB self tapping RPH BZP	4	BI1336 114			F			
179	H21-059	Sealed chamber lid	1	BI1406 105			M			
180	H21-060	Sealed chamber gaskets kit	1	BI1406 500			M			
181	E83-180	Combustion chamber rear panel M96A.24SR/C	1	BI1326 107			M			
181 A	E83-181	Combustion chamber rear panel M96A.28SR/C	1	BI1326 108			M			
182	H21-063	Fan inlet gasket	1	BI1406 111			M			
183	H21-070	Air restrictor d. 50	1	BI1406 115			M			
183 A	H21-071	Air restrictor d. 55	1	BI1406 116			M			

CONTINUATION SHEET

Sheet 8 of 8

Appliance number(s) 41-583-09, 41-583-10,

(a)	(b)	(c)	(d)	(e)	(f)	(g)	(h)	(i)	(j)	(k)
Key no.	GC Part Number	Description	No. Off	Makers part number which have a CG number	Maker's old part number which have since been changed	Maker's new part number which DO NOT have a GC number	M B F	Original Supplier	Original Supplier part number	Retail price excl. VAT
184	E01-184	Gasket - Air intake twin kit	1	BI1016 101			M			
185	H74-593	Air switch pressure test point	2	BI1536 100			M			
186		Flow group kit plug	1			BI1371 105	M			
187		Pump capacitor	1			BI2175 101	M			