
Wall hung, fanflue, roomsealed, high efficiency gas boiler

Service manual

Riva Plus HE

Models	G.C. Appl. No.	
M296.24SR/C	41-583-18	SYSTEM BOILER
M296.28SR/C	41-583-19	SYSTEM BOILER

Leave this manual adjacent to the gas meter

Warning:


Service / repairs must be carried out, only by a qualified Gas Safety Registered Engineer, who will be responsible for the current Regulations for gas appliances.

Note:

After servicing, complete the relevant Service Interval Record section of the Benchmark Checklist of the user and installation manual.



TABLE OF CONTENTS

1 OVERALL INFORMATION	4	10 PRIMARY CIRCUIT FLOW SWITCH	26
1.1 Overall View	4	10.1 Function	26
1.2 Hydraulic diagram	4	10.2 Checks	26
2 GENERAL ACCESS AND EMPTYING HYDRAULIC CIRCUITS	5	10.3 Removal	26
2.1 Nomenclature	5	11 EXPANSION VESSEL AND TEMPERATURE-PRES-SURE GAUGE	27
2.2 Body panels	5	11.1 Function	27
2.3 Control panel	5	11.2 Checks	27
2.4 Access to the sealed chamber	6	11.3 Removal of the expansion vessel	27
2.5 Emptying the primary circuit	6	11.4 Removal of the temperature-pressure gauge	27
3 DIAGRAMS	7	12 TEMPERATURE PROBE	28
3.1 Wiring diagram	7	12.1 Function	28
3.2 Circuit voltages	8	12.2 Checks	28
4 FAULT FINDING	9	12.3 Removal of the c.h. Temperature probe	28
5 PRIMARY HEAT EXCHANGER	11	13 BY-PASS VALVE	29
5.1 Function	11	13.1 Function	29
5.2 Removal	11	13.2 Removal	29
5.3 Cleaning	11	14 FAN AND AIR PRESSURE SENSOR	30
6 CONDENSING HEAT EXCHANGER	12	14.1 Function	30
6.1 Function	12	14.2 Checks	30
6.2 Removal	12	14.3 Removal of the Fan	31
6.3 Cleaning	12	14.4 Removal of the Air pressure sensor	31
7 PUMP	14	15 IGNITION AND DETECTION ELECTRODES	32
7.1 Function	14	15.1 Function	32
7.2 Checks	14	15.2 Checks	32
7.3 Removal pump	14	15.3 Removal	32
7.4 Removal electrical capacitor	15	16 SAFETY THERMOSTAT	33
8 ELECTRONIC CONTROL/IGNITION P.C.B.	16	16.1 Function	33
8.1 Function	16	16.2 Checks	33
8.2 Selection and adjustment devices	16	16.3 Removal	33
8.3 Checking the temperature	17	17 FLUE TEMPERATURE PROBE NTC	34
8.4 Operation lights	17	17.1 Function	34
8.5 Setting the boiler control function modes	18	17.2 Checks	34
8.6 Useful output setting	18	17.3 Removal	34
8.7 C.H. only mode setting	19	18 CONDENSATE TRAP	35
8.8 Reignition frequency setting	20	18.1 Function	35
8.9 Ignition gas pressure adjustment	20	18.2 Removal	35
8.10 Checks	21	19 SHORT SPARE PARTS LIST	36
8.11 Removal of the electronic control p.c.b	21		
8.12 Thermal control in the  mode	22		
8.13 Ignition and control sequence	23		
9 MODULATING GAS VALVE	24		
9.1 Function	24		
9.2 Nomenclature of the parts	24		
9.3 Adjustment	24		
9.4 Checks	25		
9.5 Removal of the on-off operators coils	25		
9.6 Removal of the gas valve	25		

OVERALL INFORMATION

1 OVERALL INFORMATION

1.1 Overall View

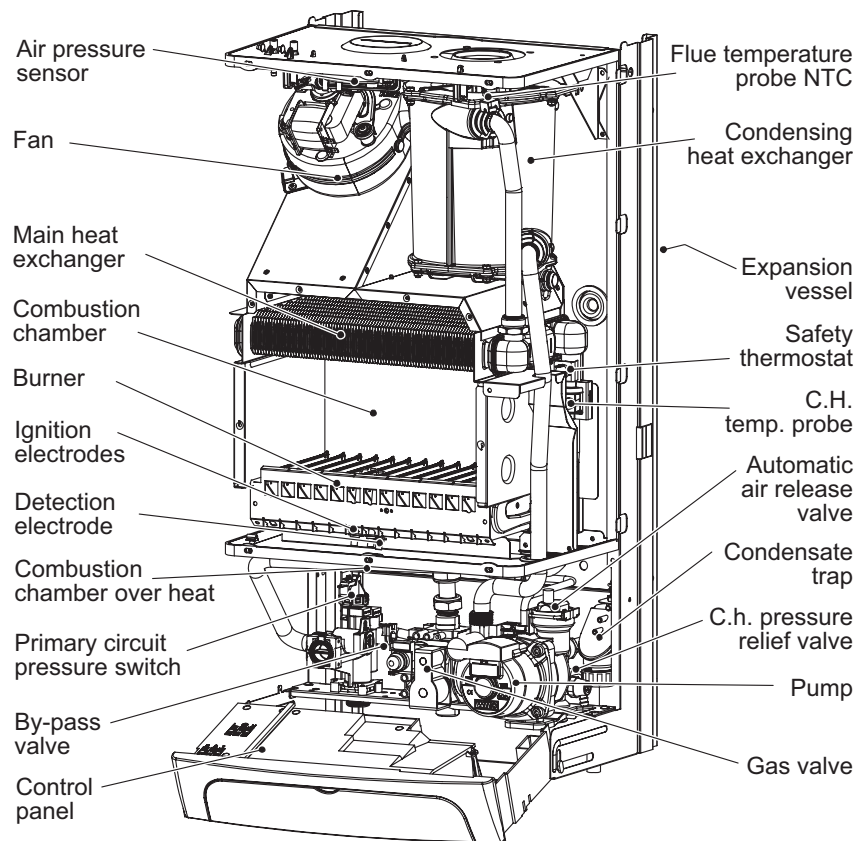


Figure 1.1

1.2 Hydraulic diagram

Central heating (c.h.) operation

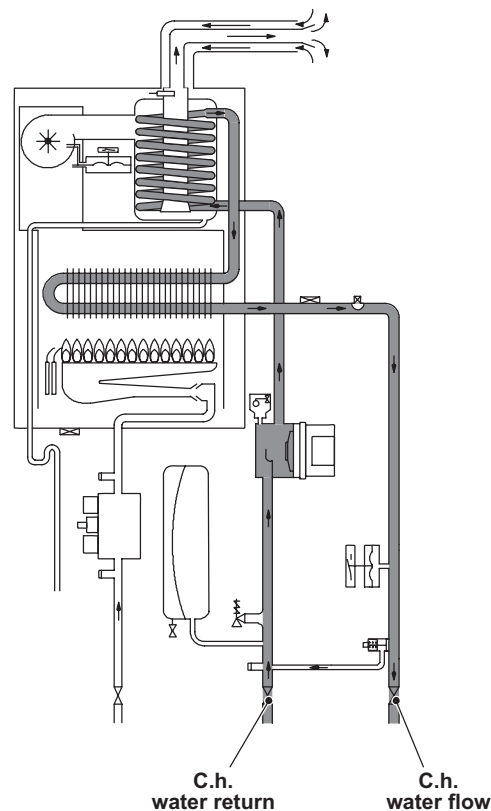


Figure 1.2

GENERAL ACCESS AND EMPTYING HYDRAULIC CIRCUITS

2 GENERAL ACCESS AND EMPTYING HYDRAULIC CIRCUITS

2.1 Nomenclature

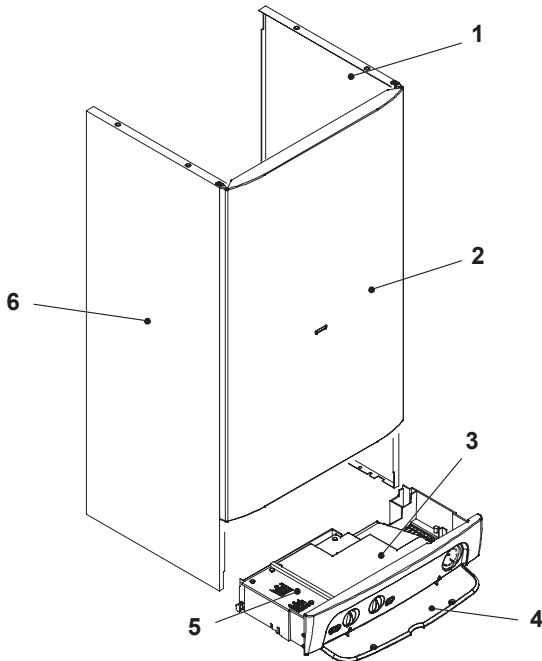


Figure 2.1

- 1 Right side panel
- 2 Front panel
- 3 Control panel lid
- 4 Control panel cover
- 5 Service panel
- 6 Left side panel

2.2 Body panels



Warning: isolate the boiler from the mains electricity supply before removing any covering or component.

For the most part of the check and maintenance operations it is necessary to remove one or more panels of the case.

The side panels can be removed only after the removal of the front panel.

To remove the front panel remove screws A (Figure 2.2), lift the panel and remove it.

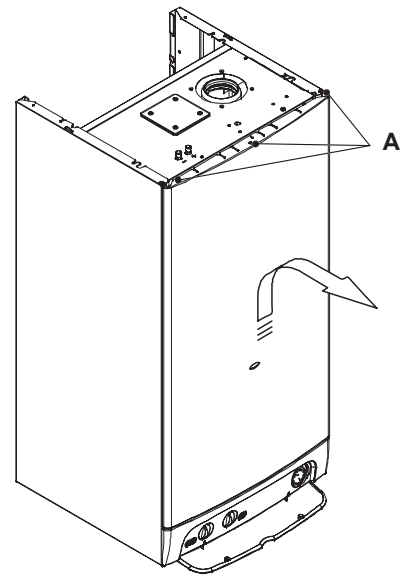


Figure 2.2

To remove the side panels loosen the screws B and C (Figure 2.3), bring the base of the panels away from the boiler and lift them, freeing them from the top hooks.

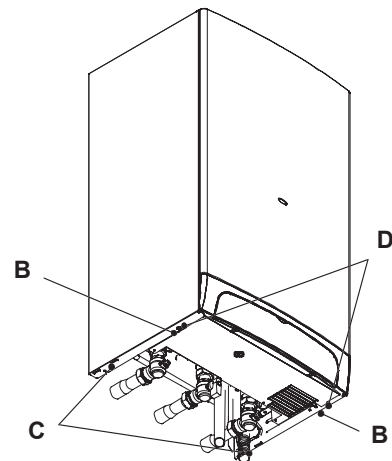


Figure 2.3 - Bottom view of the boiler

2.3 Control panel



Warning: isolate the boiler from the mains electricity supply before removing any covering or component.

To gain access to the parts located inside the control panel proceed as follows:

- 1 Remove the front panel of the case
- 2 Loosen the screws B and C (Figure 2.3).
- 3 Remove the screws D
- 4 Move the lower part of the side panels as indicated in Figure 2.4 and pull the control panel.

When completely pulled out, the panel can rotate 45° downwards to facilitate the service operations on the internal parts.

GENERAL ACCESS AND EMPTYING HYDRAULIC CIRCUITS

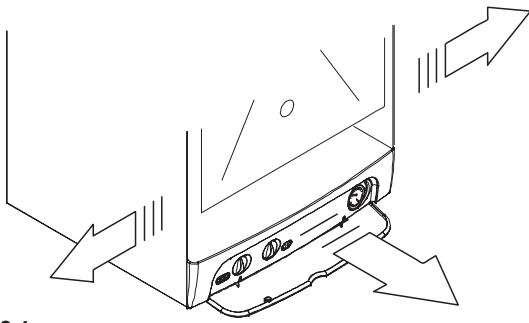


Figure 2.4

- 5 Remove the screws E and remove the service panel (Figure 2.5);
- 6 To gain access to the electronic regulation PCB remove the screws F and remove the control panel lid (Figure 2.5);

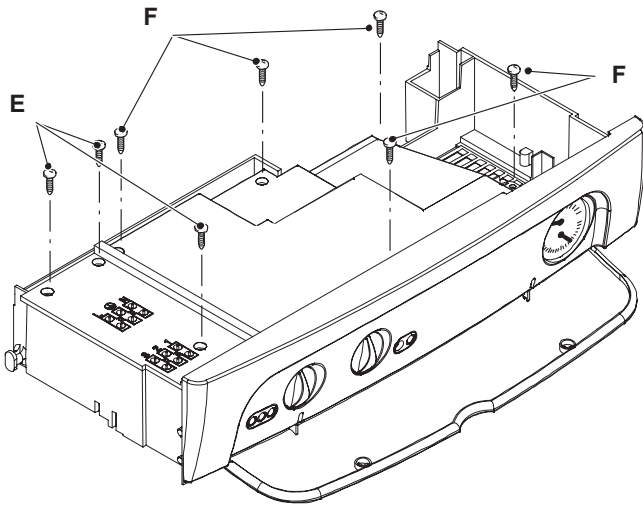


Figure 2.5

2.4 Access to the sealed chamber

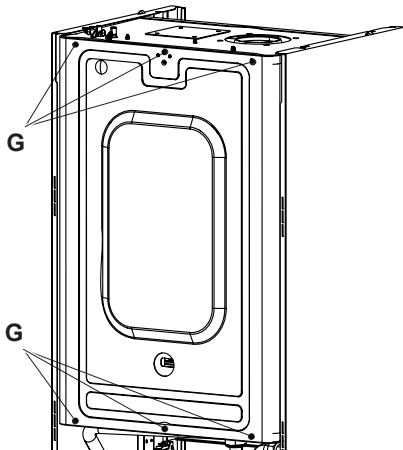


Figure 2.6

To gain access to the parts contained in the sealed chamber it is necessary to remove the lid of the sealed chamber. For this purpose, remove the front and side panels of the case, remove the screws G as indicated in Figure 2.6 and remove the lid.

2.5 Emptying the primary circuit

- 1 Close the c.h. circuit flow and return cocks H (Figure 2.7).

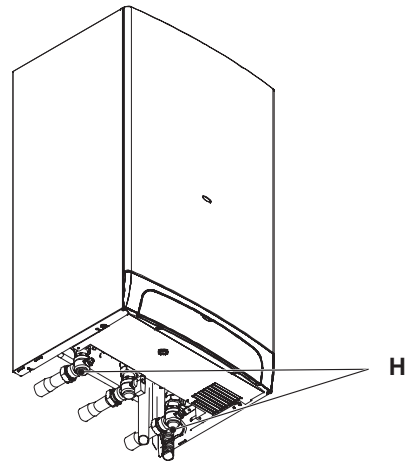


Figure 2.7

- 2 Remove the front and right panels of the boiler.
- 3 Open the drain tap I (Figure 2.8) until the boiler is completely emptied.
- 4 Close drain tap again once the emptying has been completed.

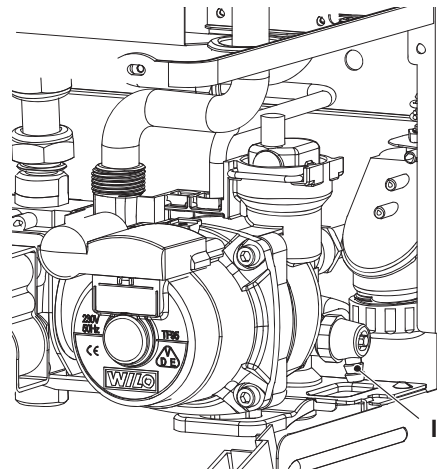
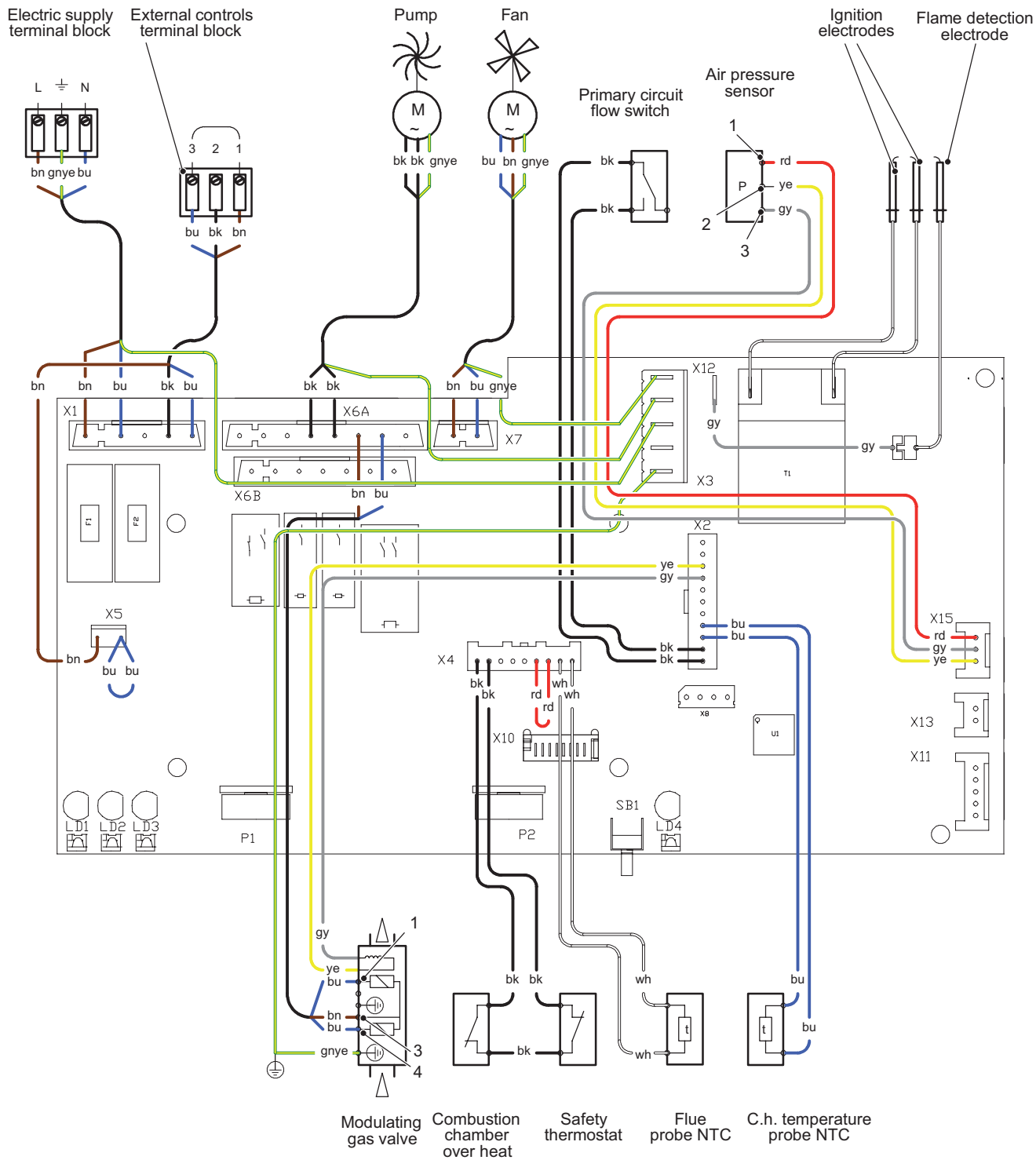


Figure 2.8

DIAGRAMS

3 DIAGRAMS

3.1 Wiring diagram



- * = alternative
- bn = brown
- bu = blue
- bk = black
- wh = white
- rd = red
- gy = grey
- gn = green
- ye = yellow
- vt = violet
- og = orange
- gnye = green/yellow

Figure 3.1

DIAGRAMS

3.2 Circuit voltages

Electrical voltages with burner on — during c.h. or d.h.w. operation

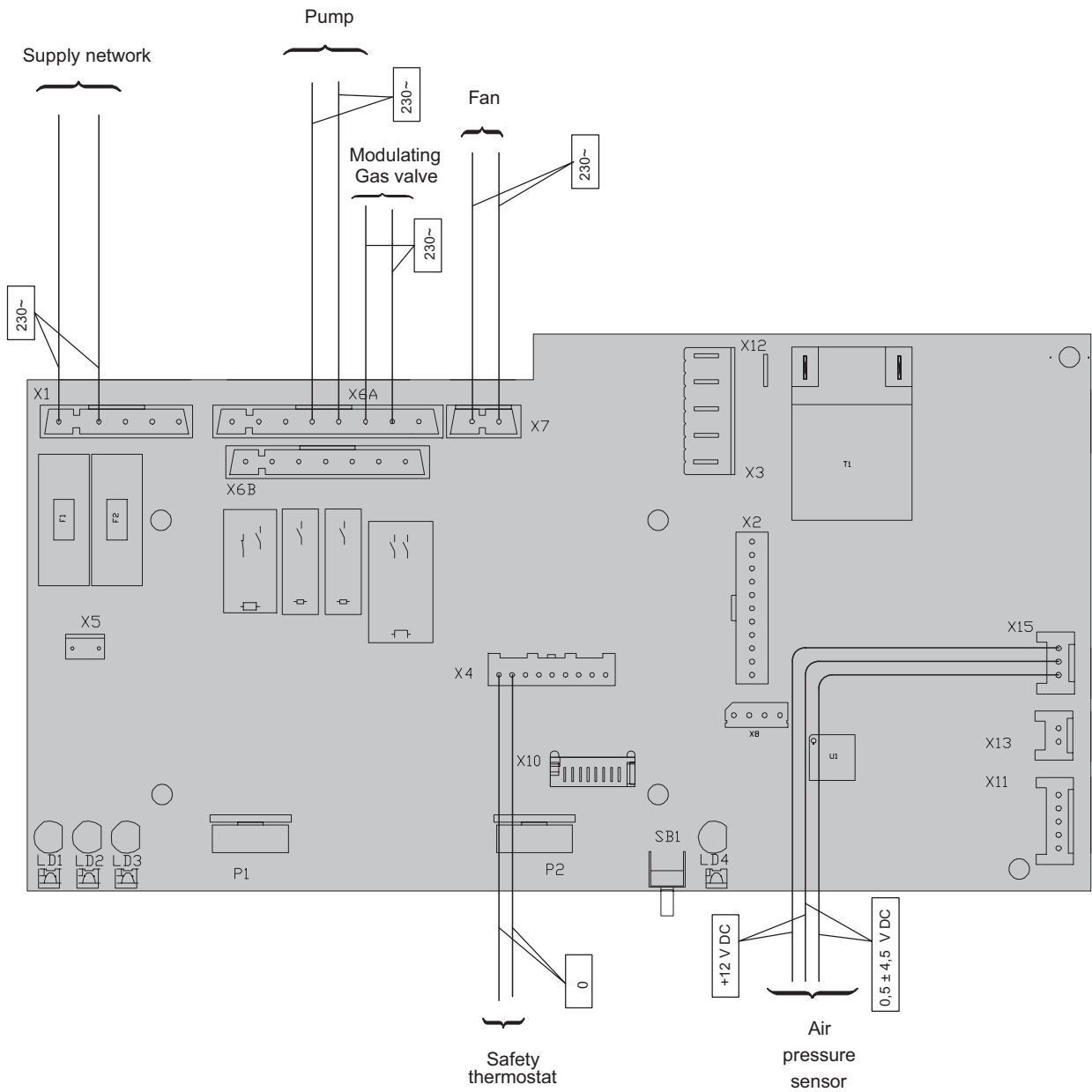


Figure 3.2

FAULT FINDING

4 FAULT FINDING

Section of the manual → (note ref. in brackets)	Defect ↓	Components to check																								
		(1)	(2)	(3)	18.1	(4)	7.2	8.10	9.4	10.2	12.2	13	14.2	15.2	16.2	17.1	(7)	(8)	-	-						
Lock – out signal lamp red		■	■																							
NO	By pressing the reset push – button the boiler turns on and operates correctly.																									
	By pressing the reset push – button the boiler starts the ignition cycle. The burner doesn't light on , the ignition sparks continue and the boiler locks again.																									
OFF	By pressing the reset push – button the boiler starts the ignition cycle. The burner lights on , the ignition sparks continue and the boiler locks again.																									
	The boiler does not start either in c/h mode. All the operation lights OFF Fan still.																									
	The burner doesn't light either in c.h. mode. Fan turns.																									
	The burner doesn't light either in c.h. mode. Fan doesn't turn.																									
	The boiler lights for a short while on c.h..																									

FAULT FINDING

Section of the manual → (note ref. in brackets)		Components to check																						
		(1)	(2)	(3)	(4)	7.2	8.10			9.4	10.2	12.2	13	14.2	15.2	16.2	17.1	(7)	(8)					
Defect ↓	Lock-out signal lamp red																							
	On c/h mode the temperature of the main circuit reaches 75°C and the c/h system does not heat								■															
	Incorrect modulation																							
	Noisy boiler			■																				
OFF	The boiler operates correctly but the gas pressure to the burner remains at minimum.																							
	Water leaks from the safety valve during operation on c/h																							
	Water leaks from the safety valve when the boiler is off.																							

Note

Useful information can be obtained also from the optical indication given by the appliance operation lights (see section 8.4).

- 1 Check for 230V ~ between line (L) and neutral (N)
Verify the integrity of supply cable, plug and external fuses.
Check the polarity of line and neutral connection
- 2 Verify the tightness of the gas supply pipe, the position of stop

- 3 Check the gas pressure at the inlet test point of the gas valve (see sect. 9.3) with the boiler at rest and during operation and compare it with the values given on the installation booklet.
Check for soundness and absence of obstructions. Verify that the flue terminal is correctly installed (see clearances) and ensure that exhaust gas is not sucked back by the boiler.
- 4 Check for soundness of the circuit and verify its correct filling (see also installation manual).

- 5 A jammed by-pass could cause the over-heating of the main circuit and the intervention of the safety thermostat.
- 6 Check the **minimum** gas pressure at the outlet test point of the gas valve (see sect. 9.3) and compare it with the value given on the installation booklet.
- 7 Verify the cleanness of injectors.
- 8 Check the pressurization of the expansion vessel. Refer to the installation manual for proper values.

PRIMARY HEAT EXCHANGER

5 PRIMARY HEAT EXCHANGER

5.1 Function

The primary heat exchanger A in Figure 5.1 has the function of transferring heat produced from combustion of the gas to the water circulating in it.

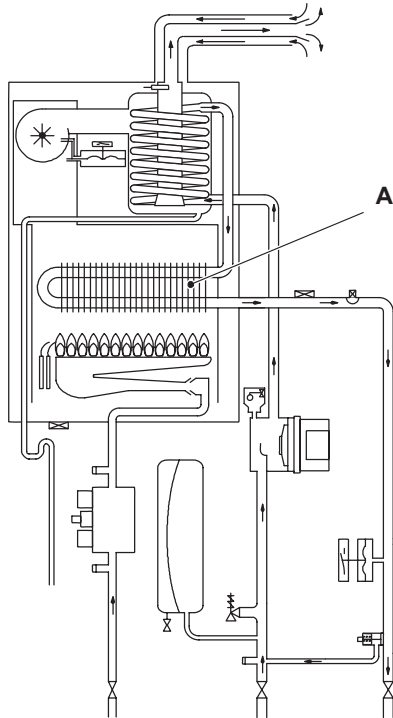


Figure 5.1

The hydraulic circuit is composed of 8 elliptical pipes connected in parallel (Figure 5.2).

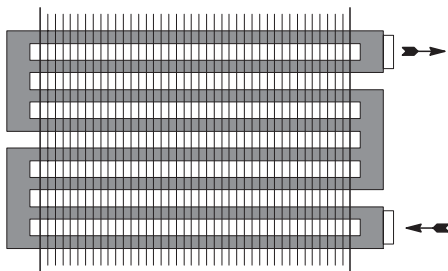


Figure 5.2

5.2 Removal



Warning: isolate the boiler from the mains electricity supply before removing any covering or component.

- 1 Remove the case panels and the sealed chamber lid (section "Body panels" page 5).
- 2 Empty the primary circuit of the boiler.
- 3 Remove the combustion chamber lid B by unscrewing the screws C (Figure 5.3).
- 4 Remove the screws D and the plate E.
- 5 Remove the clip F.
- 6 Loosen the connection G and slightly move the pipe H upwards.
- 7 Remove the clip I and the safety thermostat J. It is not necessary to disconnect it from the wiring.

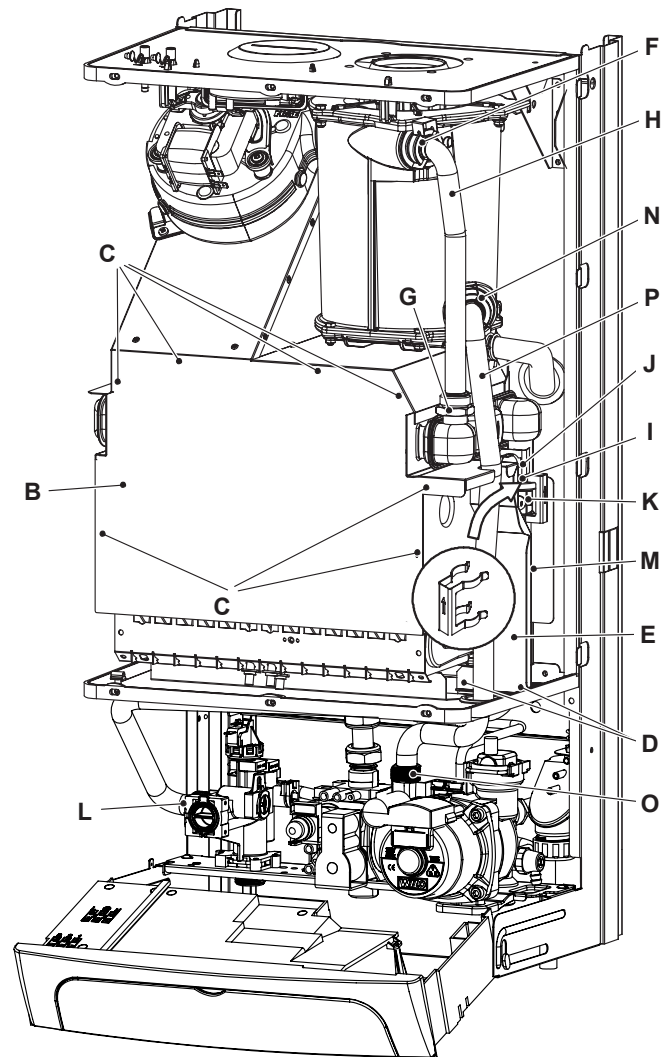


Figure 5.3

- 8 Loosen the connection K and move the pipe L downwards freeing it from the connection of the primary heat exchanger.
- 9 Remove the clip M.
- 10 Loosen the connection N.
- 11 Free the pipe O from the connection of the condensing heat exchanger; lift and rotate it towards right.
- 12 Remove the heat exchanger by sliding it forwards.
- 13 Reassemble the boiler carrying out the removal operations in reverse order. Fit the clip I with the arrow pointing upwards as illustrated in Figure 5.3.



IMPORTANT: do not force the connection G when tightening it.

5.3 Cleaning

If there are deposits of soot or dirt between the blades of the heat exchanger, clean with a brush or non-metallic bristle brush. In any case, avoid any actions that can damage the protective varnish with which the exchanger has been covered.



Warning: After cleaning or replacement as detailed above, if it deemed necessary to undertake a combustion analysis, refer to the appropriate chapter Maintenance of the installation instructions manual.

CONDENSING HEAT EXCHANGER

6 CONDENSING HEAT EXCHANGER

6.1 Function

The return water flows through the condensing heat exchanger A in Figure 6.1 and Figure 6.2.

By reducing the combustion products temperature, the latent heat of the vapour is transferred to the water circuit, allowing an extra gain of useful heat.

The condensed vapour is then drained through the condensate trap B and the draining pipe C.

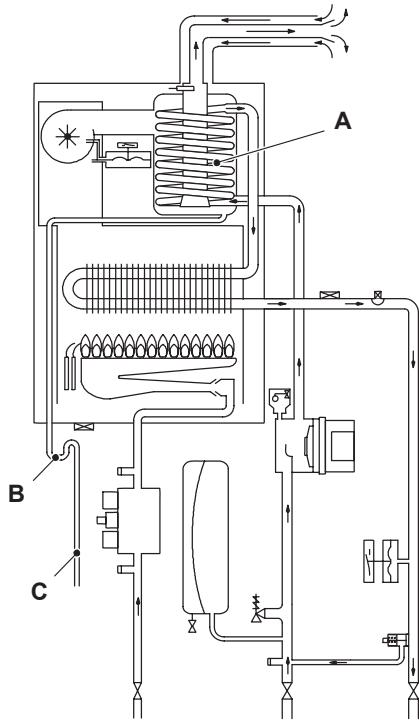


Figure 6.1

6.2 Removal



Warning: isolate the boiler from the mains electricity supply before removing any covering or component.

- 1 Remove the case panels and the sealed chamber lid (section "Body panels" page 5).
- 2 Empty the primary circuit of the boiler.
- 3 Remove the fan D in Figure 6.2 (see section "Removal of the Fan" page 31).
- 4 Disconnect the connectors of the flue temperature probe NTC E.
- 5 Remove the clip F.
- 6 Completely loosen the connection G and slightly move the pipe H upwards.
- 7 Remove the clip I.
- 8 Loosen the connection J.
- 9 Free the pipe K from the connection of the condensing heat exchanger; lift and rotate it towards right.
- 10 Using pliers, remove the spring L moving it to wards right and disconnect the rubber pipe M.
- 11 Rotate the exchanger as indicated by the arrow and remove it towards the front of the boiler.

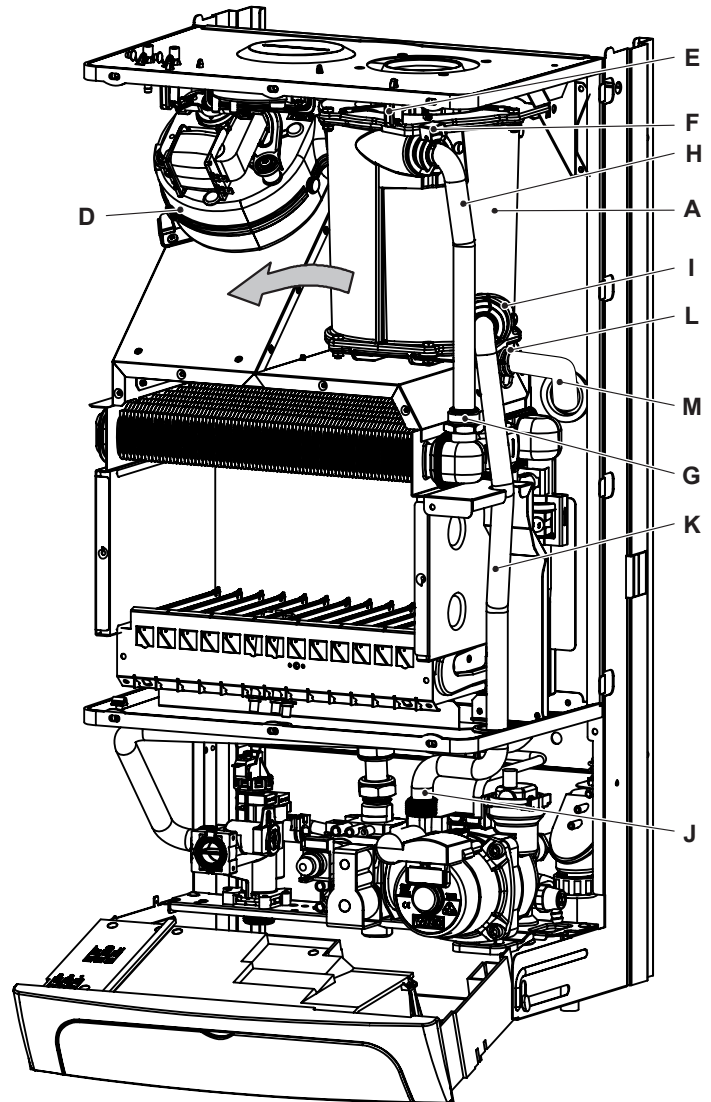


Figure 6.2

- 12 Reassemble the exchanger carrying out the removal operations in reverse order.



Warning: to lubricate the O-ring gaskets exclusively use a silicone base grease compatible to be in contact with foods and approved by the local water Authorities.

After reassembling ensure that the fan-exchanger and exchanger-elbow gaskets are correctly mounted and ensure a good sealing.



Warning: After cleaning or replacement as detailed above, if it deemed necessary to undertake a combustion analysis, refer to the appropriate chapter Maintenance of the installation instructions manual.

6.3 Cleaning

- 1 Using pliers, remove the spring L moving it to wards right and disconnect the rubber pipe M (Figure 6.3).
- 2 Unscrewing the screws N (Figure 6.3).
- 3 Remove the condensing heat exchange lid O (Figure 6.3) moving to rewards the front of the boiler.

CONDENSING HEAT EXCHANGER

If there are deposits of soot or dirt on the exchanger lid, clean with a brush or non-metallic bristle brush.

In any case, avoid any actions that can damage the protective varnish with which the lid has been covered.

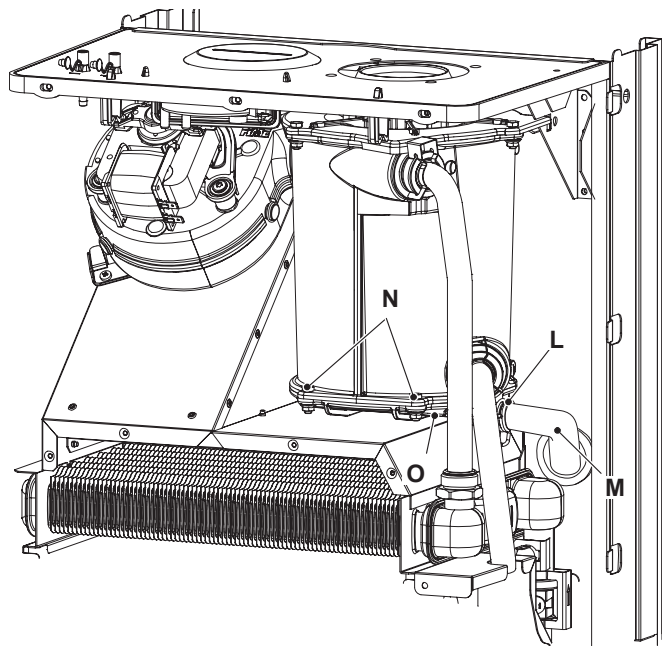


Figure 6.3

- 4 Reassemble the exchanger carrying out the removal operations in reverse order.



Warning: to lubricate the O-ring gaskets exclusively use a silicone base grease compatible to be in contact with foods and approved by the local water Authorities.



Warning: After cleaning or replacement as detailed above, if it deemed necessary to undertake a combustion analysis, refer to the appropriate chapter Maintenance of the installation instructions manual.

7 PUMP

7.1 Function

The pump A in Figure 7.1 and Figure 7.3 has the function of making the water in the main circuit circulate through the main heat exchanger, the condensing heat exchanger and therefore through the c.h. system (during the c.h. function) or through the secondary heat exchanger (during the d.h.w. function).

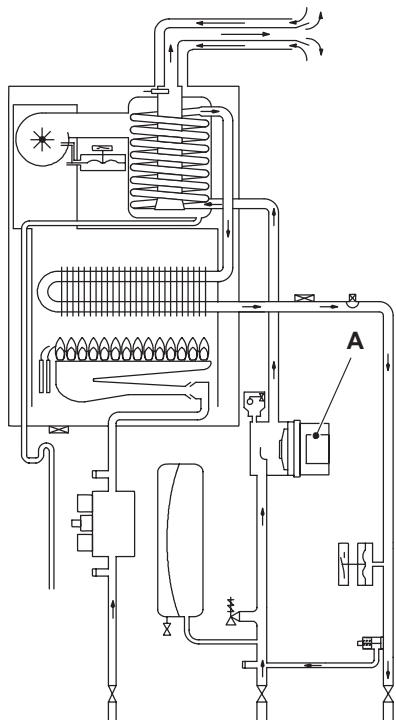


Figure 7.1

7.2 Checks



Warning: isolate the boiler from the mains electricity supply before removing any covering or component.

✓ Check that the pump is not seized and that the movement of the rotor is not subject to mechanical impediments.

With the boiler off, remove the front panel. Remove the air release plug of the pump and turn the rotor with a screwdriver.

✓ Check the electrical continuity.

With the boiler off, remove the front panel and disconnect the connector B (Figure 7.3).

Measure the electrical resistance between the pump supply connections.

Electrical resistance of the windings (at ambient temperature) must be about 213 Ω (coil 1) and 480 Ω (coil 2) (Figure 7.2).

✓ Check the absence of starting defects.

With the boiler off remove the front case panel.

Remove the air release plug from the pump. Start the boiler and with a screwdriver, turn the rotor in the direction of the arrow.

If there is a defect in starting, the rotor will begin to turn normally only starting it manually.

✓ Check that the impeller is integral with the rotor.

With the boiler off remove the front and right hand side case panels, lower the control panel and empty the primary circuit.

Remove the pump head by undoing the screws which hold it to the pump body and check that the impeller is firmly joined to the rotor.

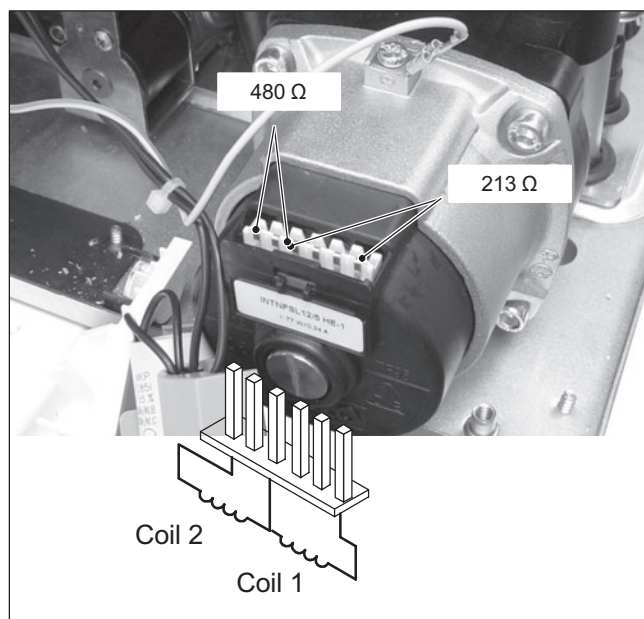


Figure 7.2

7.3 Removal pump



Warning: isolate the boiler from the mains electricity supply before removing any covering or component.

- 1 Remove the case panels and the sealed chamber lid (section "Body panels" page 5).
- 2 Empty the primary circuit of the boiler.
- 3 Disconnect the connector B (Figure 7.3) following the indications given on the connector box.
- 4 Disconnect the earth connector T (Figure 7.3).
- 5 Loosen the connection D (Figure 7.3), and pull up and turn to the left the pipe E.
- 6 Remove the fork H, loosen the connection I and remove the pipe L (Figure 7.3).
- 7 Remove the locking plate F (Figure 7.3).

PUMP

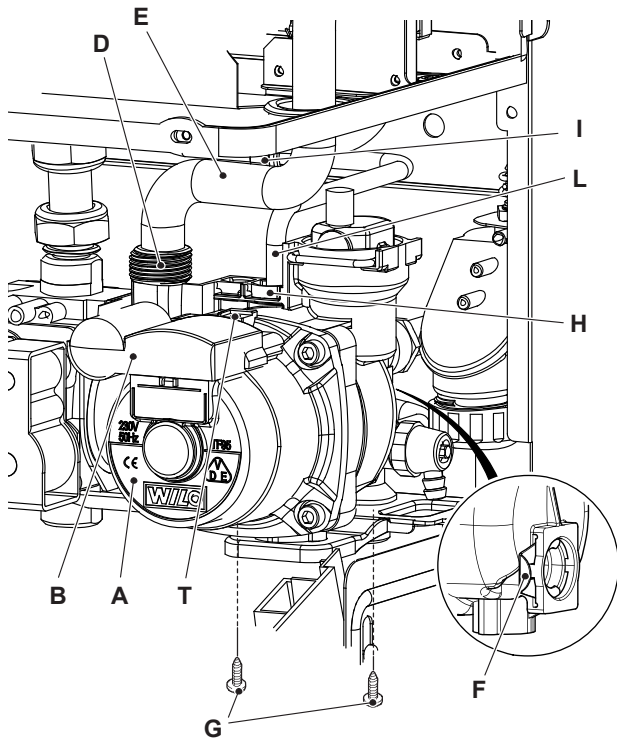


Figure 7.3

- 8 Unscrew the two screws G that hold the pump on the frame and remove the pump.

Reassemble the pump carrying out the removal operations in the reverse order. When reassembling the pump, check the correct location of the O-ring gasket in the inlet port of the pump that seals the connection between the pump and the return water group.

7.4 Removal electrical capacitor



Warning: isolate the boiler from the mains electricity supply before removing any covering or component.

- 1 Remove the front and right hand side case panels.
- 2 Disconnect the connector B (Figure 7.3) following the indications given on the connector box.
- 3 Remove the connector M of the cover box by levering with a screwdriver in as shown in (Figure 7.4).

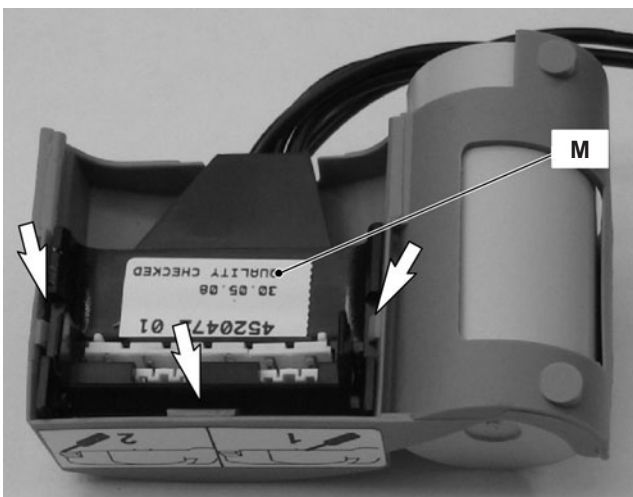


Figure 7.4

- 4 Remove the capacitor connection block N freeing it from the hook O and pulling it as indicated by the arrow (Fig. 7.6).

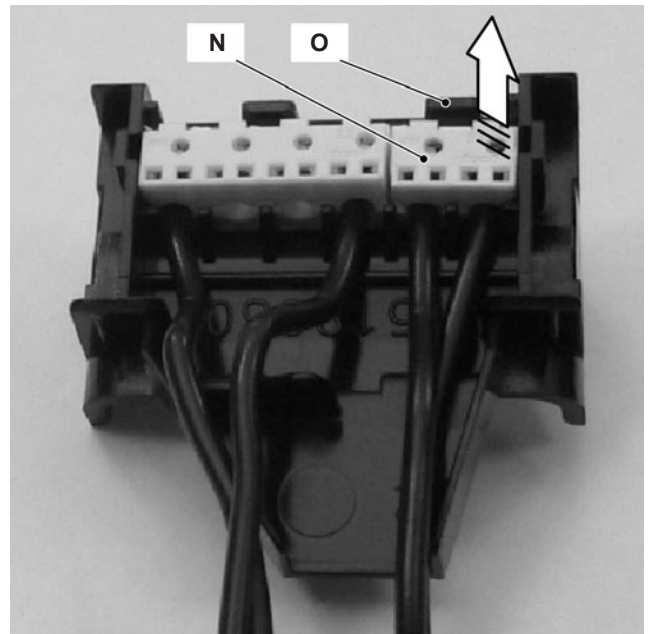
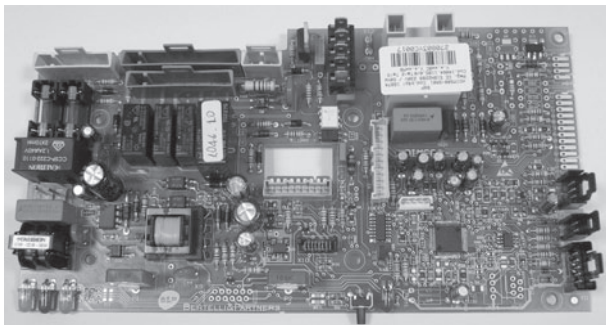
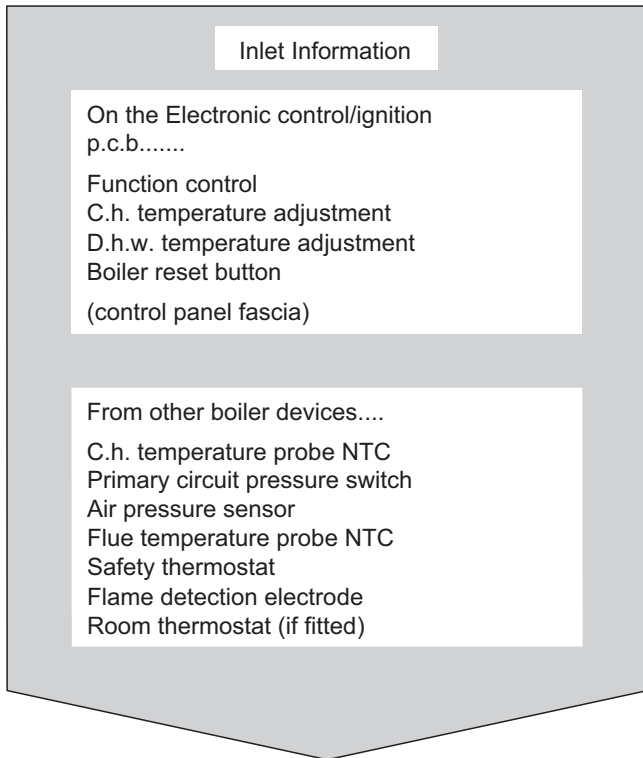


Figure 7.5

ELECTRONIC CONTROL/IGNITION P.C.B.

8 ELECTRONIC CONTROL/IGNITION P.C.B.

8.1 Function



working temperature limits foreseen.

Generally, the Electronic control/ignition p.c.b. receives inlet information coming from the boiler (the sensors) or from the outside (knobs, room thermostat, etc.), processes it and consequently acts with outlet commands on other components of the boiler (Figure 8.1).

The Electronic control/ignition p.c.b. is also a full sequence ignition device and does a sequence of operations (ignition cycle) which lead to the ignition of the gas at the burner.

It checks the presence of the flame during the entire period in which it is activated, supplies the fan and checks its functioning by means of the signal coming from the air pressure sensor.

The Electronic control/ignition p.c.b. has a safety function and any incorrect interventions or tampering can result in conditions of dangerous functioning of the boiler.

The Electronic control/ignition p.c.b. can lock the functioning of the boiler (lock state) and stop its functioning up to the resetting intervention. The lock is signalled by the lighting of the lock-out signal lamp and the device can be reset only by using the boiler reset button placed on the control panel fascia.

Some components which are connected to the device can activate the lock state. The causes of a lock state could be:

- The intervention of the safety thermostat (overheat of the primary circuit).
- The intervention of the flue temperature probe (overheat of the combustion products).
- A fault on gas supply.
- Faulty ignition (faulty ignition electrodes, their wiring or connection).
- Faulty flame detection (faulty detection electrode, its wiring or connection).
- Gas injectors blocked.
- Faulty modulation gas valve (faulty on-off operators or not electrically supplied).
- Faulty Electronic control/ignition p.c.b..

Other components like the air pressure sensor can temporarily stop the ignition of the burner but allow its ignition when the cause of the intervention has stopped.

Figure 8.28 shows the sequence of the operations that are carried out at the start of every ignition cycle and during normal functioning.

8.2 Selection and adjustment devices

On the Electronic control/ignition p.c.b. several selection, adjustment and protection devices are located (Figure 8.2).

Some of these devices are directly accessible by the user (function control, temperature adjustment potentiometers etc.) others are accessible by removing the service panel or the control panel lid.

Figure 8.1

The fundamental function of the Electronic control/ignition p.c.b. is that of controlling the boiler in relation to the external needs (i.e. heating the dwelling) and operating in order to keep the temperature of the hydraulic circuits constant.

This is obviously possible within the useful power and maximum

ELECTRONIC CONTROL/IGNITION P.C.B.

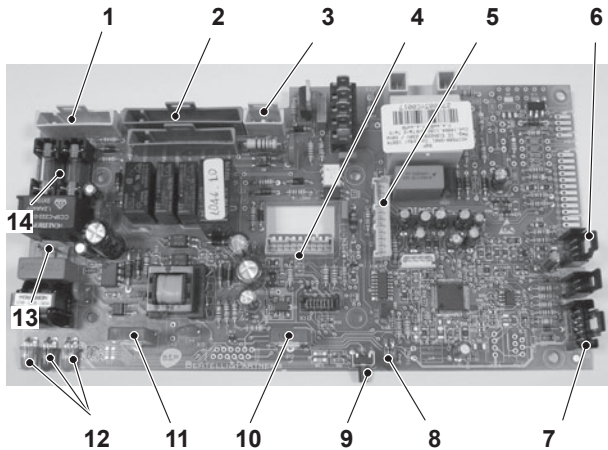


Figure 8.2

- 1 x1 connector
- 2 x6 connector
- 3 x7 connector
- 4 x4 connector
- 5 x2 connector
- 6 x15 connector
- 7 x11 connector
- 8 Lock-out signal lamp
- 9 Boiler reset button
- 10 Function control / C.h. temperature adjustment
- 11 Service knob
- 12 Appliance operation lights
- 13 x8 connector
- 14 Fuse 3,15 A F

8.3 Checking the temperature

The temperature of the water is converted into an electric signal by means of temperature probes.

The user, setting the desired temperature with the control panel knobs operates the variable elements (10 Figure 8.2) of the electronic control p.c.b.

If the power requested is lower than 40% of the maximum power output then control is achieved by switching ON the burner at minimum power, then switching OFF (ON/OFF function). If the power requested is higher, then the burner is switched ON at maximum power and will control by modulating to 40% of the maximum power output.

During the c.h. operation (Figure 8.3), the signal coming from the c.h. temperature probe is compared to the signal given by the control panel through the adjustment made by the user (knob 11). The result of such a comparison operates the modulation of the gas valve, consequently changing the useful output of the boiler.

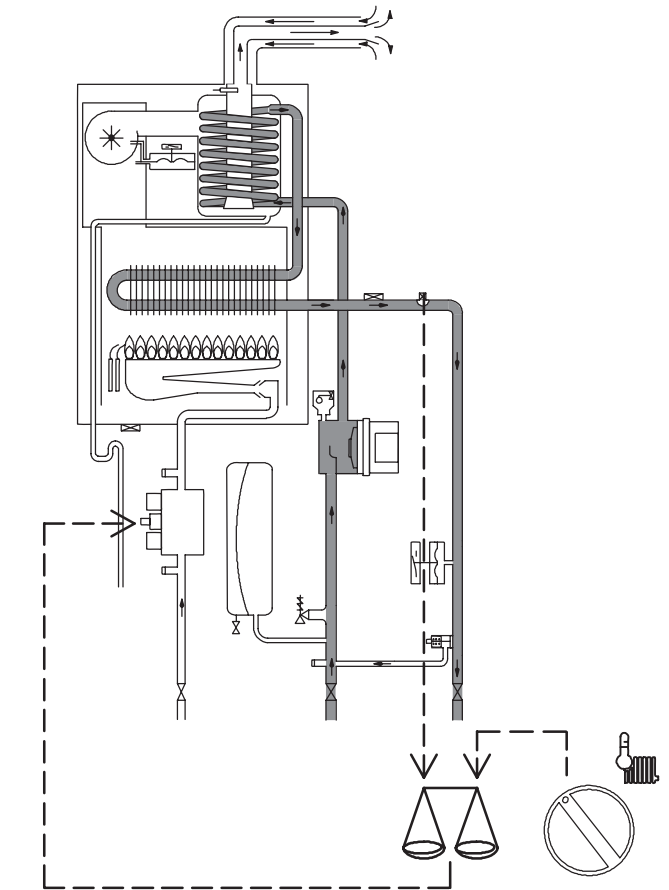



Figure 8.3



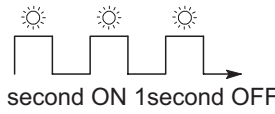


The control sequences in  function are illustrated in detail in sections 8.2 and 8.3.

8.4 Operation lights

The Electronic control/ignition p.c.b. is provided with three lamps (L.E.D. indicators) 12 in Figure 8.2 that give optical information during the operation of the boiler.

The green lamp on the left gives information whether the boiler is in stand-by mode or during the normal operation of the boiler.

The following table gives the relationship between the lamp indication and its meaning.

 A short pulse every 4 seconds	Boiler in stand-by condition. (function control in  position). Anti-freeze system active.
 1 second ON 1second OFF	Boiler ON condition (function control in  or  position)

With the boiler switched ON () all the lamps (12 in Figure 8.2) are activated.

The following table gives the relationship between each of the possible lamp combinations and their meaning.

ELECTRONIC CONTROL/IGNITION P.C.B.

I	II	III	
☀	○	○	Normally operating boiler (see the previous table for details)
☀	○	☀	C.h. operation
☀	☀	○	Frost protect operation
○	☀	☀	Faulty c.h. temperature probe NTC
●	☀	○	Faulty flue temperature probe NTC
☀	●	○	Faulty primary circuit (no water or low c.h. pressure)
☾	☾	●	Faulty primary circuit (absence of flow)
☀	☀	●	Faulty air pressure sensor
☀	●	☀	Lack of burner ignition (no ignition signal from the full sequence ignition device)
●	☀	☀	Safety thermostat lock out
●	●	☀	Flue temperature probe NTC lock out
☀	☀	☀	Flame detection error
○	☀	○	Flame detection error
○	○	○	Lack of power supply or faulty electronic control p.c.b. *
○			Lamp OFF
●			Lamp ON
☀			Flashing lamp, alone or simultaneously with another lamp
☾			Flashing lamp, alternate with another lamp
* These conditions are normal only for a short time when the power supply is applied to the boiler. If permanent they indicate a faulty p.c.b.			

8.5 Setting the boiler control function modes

It is possible to select the various boiler control function modes by using the function selector knob A and the d.h.w. temperature control knob B (Figure 8.4).

During the function modes setting, the boiler does not operate.

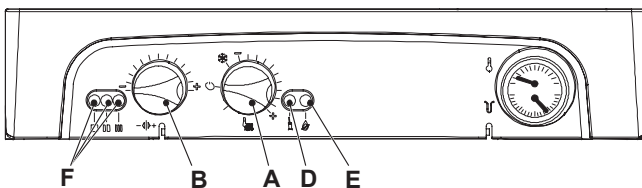


Figure 8.4

8.6 Useful output setting

To set the useful output proceed as follows:

- 1 Remove the front panel of the case.
- 2 Take off the lid of the sealed chamber.
- 3 Switch on the appliance at the mains isolating spur.

- 4 Turn the boiler OFF positioning the function selector A as indicated in Figure 8.5.

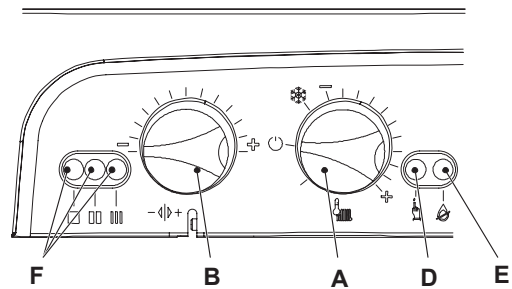


Figure 8.5

- 5 Disconnect the electrical connectors C of the c.h. temperature probe NTC in Figure 8.6.

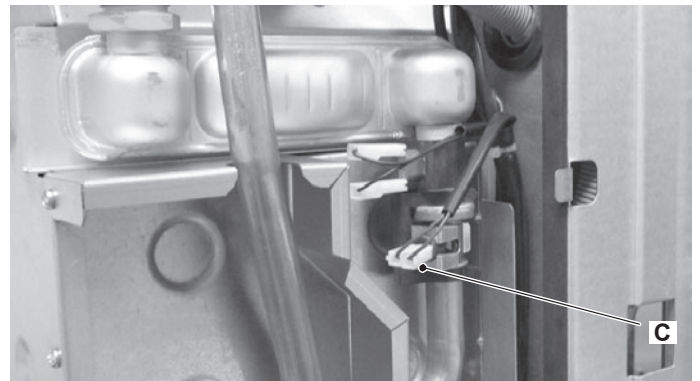


Figure 8.6

- 6 Keep pressed the reset button D for about 10 seconds until the lock-out signal lamp E blinks.
- 7 Connect the electrical connectors C of the c.h. temperature probe NTC in Figure 8.6.
- 8 The lamps F should give the indication as in Figure 8.7 (useful output, first step). If not, press the reset button repeatedly to obtain it.

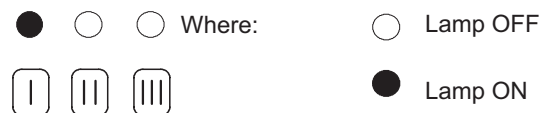


Figure 8.7

At this step it is possible to visualize the current setting by keeping the reset button D pressed for more than 5 seconds. The lamps F will flash a number of times corresponding to the setting Figure 8.8 (once for M296.24SR/C, four times for M296.28SR/C).

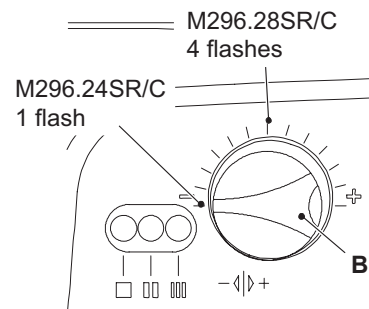


Figure 8.8

- 9 To change the setting turn the knob B on a position corresponding to the boiler models (Figure 8.8). By turning the knob B, the lock-out signal lamp E blinks quickly (2 per seconds) indicating that the setting has changed and must be memorised.

ELECTRONIC CONTROL/IGNITION P.C.B.

- 10 To memorize the setting keep pressed the reset button D for about 5 seconds until the lights F briefly blink simultaneously.
- 11 Press the reset button D once until the lamps F give the indication as in Figure 8.9 (useful output, second step).

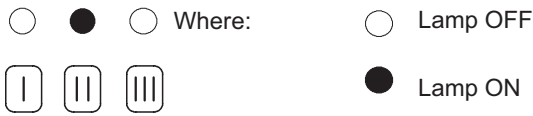


Figure 8.9

At this step it is possible to visualize the current setting by keeping the reset button D pressed for more than 5 seconds. The lamps F will flash a number of times corresponding to the setting Figure 8.10 (once for M296.24SR/C, M296.28SR/C).

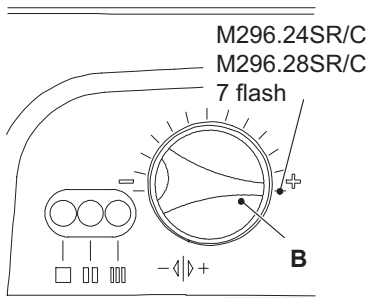


Figure 8.10

- 12 To change the setting turn the knob B on a position corresponding to the boiler model (Figure 8.10).
By turning the knob B, the lock-out signal lamp E blinks quickly (2 per seconds) indicating that the setting has changed and must be memorised.
- 13 To memorize the setting keep pressed the reset button D for about 5 seconds until the lights F briefly blink simultaneously.
- 14 To reset the boiler to the normal operation turn it OFF and ON by the function selector knob A.

8.7 C.H. only mode setting

Two different options are available on the Electronic control/ignition p.c.b. and proper setting must be done after a replacement of the p.c.b.

- 1 Remove the front panel of the case.
- 2 Turn ON the power supply.
- 3 Position the function selector A as in Figure 8.12 and disconnect the c.h. temperature probe Figure 8.6.
Lamps F give the indication as in Figure 8.11 .



Figure 8.11

- 4 Keep pressed the reset button D for about 10 seconds (Figure 8.12) until the lock-out signal lamp E blinks.
- 5 Connect the c.h. temperature probe.

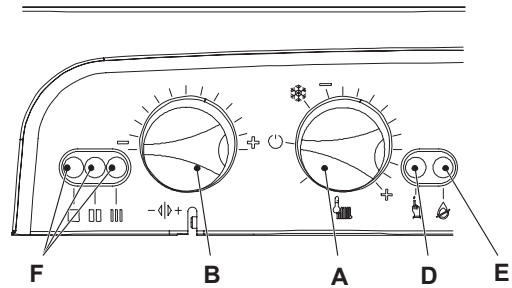


Figure 8.12

- 6 Press the reset button D repeatedly (2 times) until the lamps F give the indication as in Figure 8.13 (boiler mode).

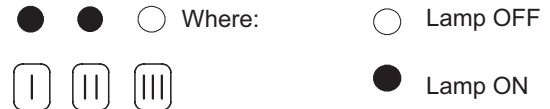


Figure 8.13

At this step it is possible to visualize the current setting by keeping the reset button D pressed for more than 5 seconds. The lamps F will flash a number of times corresponding to the setting (Figure 8.14).

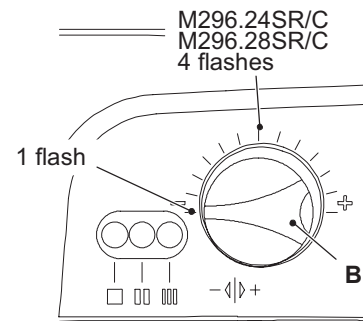


Figure 8.14

- 7 To change the setting turn the knob B on a position corresponding to the boiler models (Figure 8.14).
By turning the knob B, the lock-out signal lamp E blinks quickly (2 per seconds) indicating that the setting has changed and must be memorised.
- 8 To memorize the setting keep pressed the reset button D for about 5 seconds until the lights F briefly blink simultaneously.
- 9 Press the reset button D once until the lamps F give the indication as in Figure 8.15 (boiler mode).

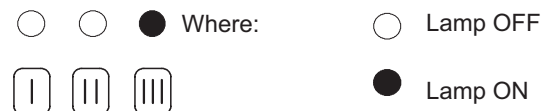


Figure 8.15

It's now possible to check the current setting by pressing reset button D for more than 5 seconds. The three lamps F will flash a number of times corresponding to the setting as in Figure 8.16 (once for the combination and four times for system boilers). At this point only the right green light flashes.

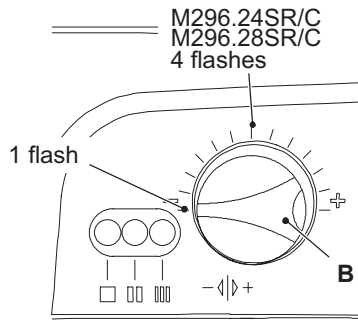


Figure 8.16

- 10 Turn the water control to minimum. Lock-out lamp blinks (2 per second) indicating the setting has changed
- 11 To change the setting turn the knob B on a position corresponding to the boiler model (Figure 8.16).
- 12 To memorize the setting keep pressed the reset button D for about 5 seconds until the lights F briefly blinks simultaneously. At this point only the right green light flashes.
- 13 To reset the boiler to the normal operation turn it OFF and ON by the function selector knob A.

8.8 Reignition frequency setting

It is possible to select the minimum time that must pass between two ignitions of the burner in c.h. function mode.

- 1 Turn the boiler ON positioning the function selector knob A as indicated in Figure 8.17.

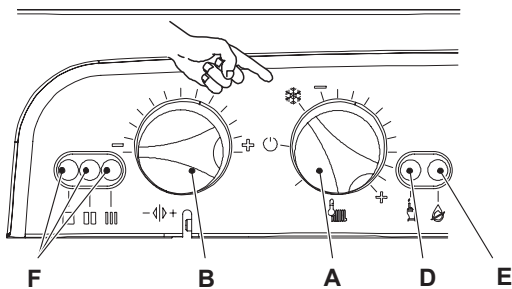


Figure 8.17

- 2 Keep pressed the reset button D for about 10 seconds until the lock-out signal lamp E blinks.
- 3 The lamps F should give the indication as in Figure 8.18 (reignition frequency). If not, press the reset button repeatedly to obtain it.

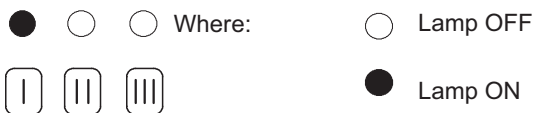


Figure 8.18

At this step it is possible to visualize the current setting by keeping the reset button D pressed for more than 5 seconds. The lamps F will flash a number of times corresponding to the setting (Figure 8.19).

- 4 To change the setting turn the knob B on a position corresponding to the desired delay. By turning the knob B, the lock-out signal lamp E blinks quickly (2 per seconds) indicating that the setting has changed and must be memorised.

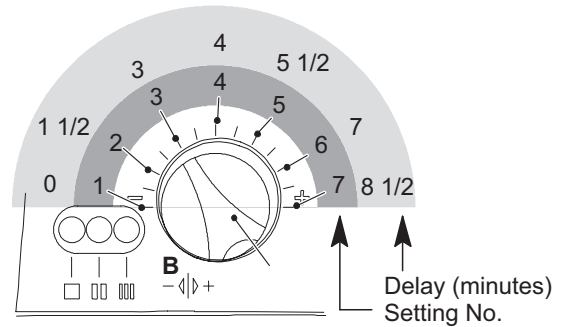


Figure 8.19

- 5 To memorize the setting keep pressed the reset button D for about 5 seconds until the lights F briefly blinks simultaneously.
- 6 To reset the boiler to the normal operation turn it OFF and ON by the function selector knob A. In any case, the boiler automatically resets to its normal operation after 10 minutes.

Factory setting = 3 minutes

8.9 Ignition gas pressure adjustment

- 1 Turn the boiler OFF.
- 2 Remove the front panel of the case.
- 3 Open the gas valve outlet pressure test point (7, see section 9.2) and connect the gauge.
- 4 Turn the boiler ON positioning the function selector knob A as indicated in Figure 8.20 (M296.24SR/C, M296.28SR/C) and ensure that the timer selector switch and room thermostat, if fitted, are set to "heat demand". Run the boiler in c.h. mode.

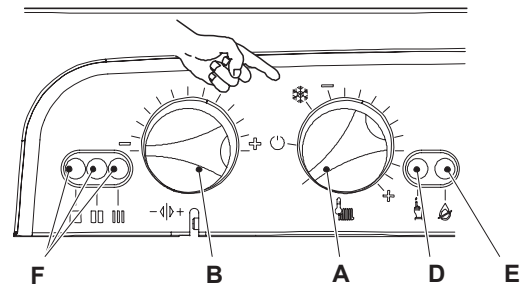


Figure 8.20

- 5 Keep pressed the reset button D for about 10 seconds until the lock-out signal lamp E blinks.
- 6 The lamps F should give the indication as in Figure 8.21. If not, press the reset button repeatedly to obtain it.

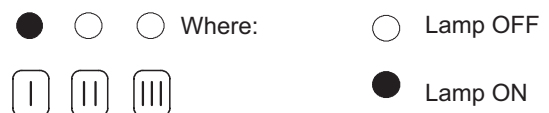


Figure 8.21

- 7 Keep pressed the reset button D for about 5 seconds until the lock-out signal lamp E is switched OFF. The boiler runs in c.h. mode and the lamps F give the indication as in Figure 8.22.

ELECTRONIC CONTROL/IGNITION P.C.B.



Figure 8.22

- 8 Rotate the knob B on a position corresponding to an adequate ignition pressure.
Refer to the value indicated in the tables of the User/Installation manual (Technical information section, Gas pressures at the burner table).
By rotating clockwise the pressure increases.
- 9 Make a note of the position of the knob B.
- 10 Turn the boiler OFF and ON positioning the function selector knob A as indicated in Figure 8.23

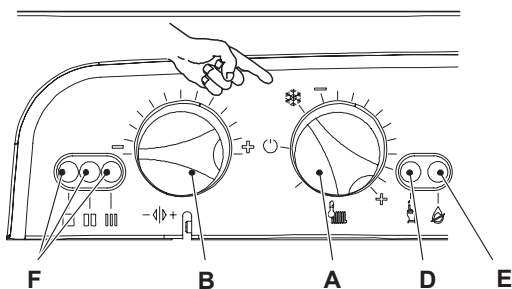


Figure 8.23

- 11 Keep pressed the reset button D for about 10 seconds until the lock-out signal lamp E blinks.
- 12 Press the reset button D repeatedly (4 times) until the lamps F give the indication as in Figure 8.24 (ignition pressure adjustment mode).

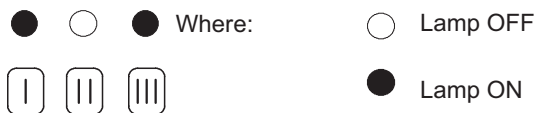


Figure 8.24

- 13 Turn the knob B to the minimum (fully counterclockwise) and then on the position corresponding to the position obtained on step 8.
By turning the knob B, the lock-out signal lamp E blinks quickly (2 per second) indicating that the setting has changed and must be memorised.
- 14 To memorize the setting keep pressed the reset button D for about 5 seconds until the lights F briefly blinks simultaneously.
- 15 To reset the boiler to the normal operation turn it OFF and ON by the function selector knob A checking the ignition pressure and that the burner lights up uniformly. In any case, the boiler automatically resets to its normal operation after 10 minutes.

8.10 Checks

- ✓ Check that the fuses are complete
If the Electronic control/ignition p.c.b. does not supply any device (pump, fan, etc.) check that the fuses 14 (Figure 8.2) are complete.
If a fuse has blown replace it with one that has the same characteristics after having identified the reason for failure.
- ✓ Lock sequence

Start the boiler until the burner is ignited.
With the burner firing, interrupt the gas supply. The Electronic control/ignition p.c.b. must carry out three complete ignition cycles and then, after about 3 minutes, goes to lock-out state.
By turning the boiler on and off by means of the function switch the device must not unlock and the burner must not turn on.

✓ Fan functioning device

With the boiler operating and the burner on, open the positive pressure test point of the Fan pressure connection devise. After opening it the burner must turn off.

8.11 Removal of the electronic control p.c.b



Warning: isolate the boiler from the mains electricity supply before removing any covering or component.

When replacing the Electronic control/ignition p.c.b. it is advisable to go through the setting modes of the boiler.

- 1 Gain access to the parts located inside the control panel as explained in the section "Control panel" page 5 of this manual.
- 2 Remove all the wiring connected to the Electronic control/ignition p.c.b..
To disconnect the connectors x1, x6 and x7 (1, 2 and 3 in Figure 8.2) delicately flex the hook present on one side of each socket.
To disconnect the connectors x4 and x2 (4 and 5 in Figure 8.2) press delicately the hook present on one side of each connector.
- 3 Remove the spindles of the c.h. and d.h.w. temperature adjustment knobs by delicately pulling them with pliers in the direction shown by the arrows in Figure 8.25.

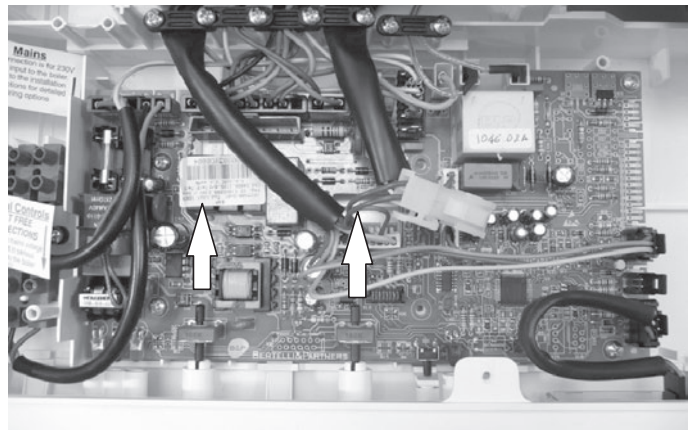


Figure 8.25

- 4 Unscrew the four screws that hold the Electronic control/ignition p.c.b. on to the control panel.
- 5 Remove it by lifting its rear edge and freeing it from any of the wiring.
- 6 Re-assemble the Electronic control/ignition p.c.b. following the removal procedures in the reverse order.

Important

When re-assembling the Electronic control/ignition p.c.b.:

- 7 Fit the p.c.b. into the control panel by first inserting the front lower edge under the control knob shafts. Lower the rear

ELECTRONIC CONTROL/IGNITION P.C.B.

- edge and ensure that no wiring is trapped beneath.
- 8 Insert the spindles in the control panel knobs until the notch A (Figure 8.26) reaches the potentiometer edge. It is not necessary to force them in the knob.
 - 9 While tightening the screws that fix the Electronic control/ignition p.c.b. on the control panel, keep the p.c.b. towards the control panel fascia making sure of the contact between the boiler reset button B and the tab C (Figure 8.26).

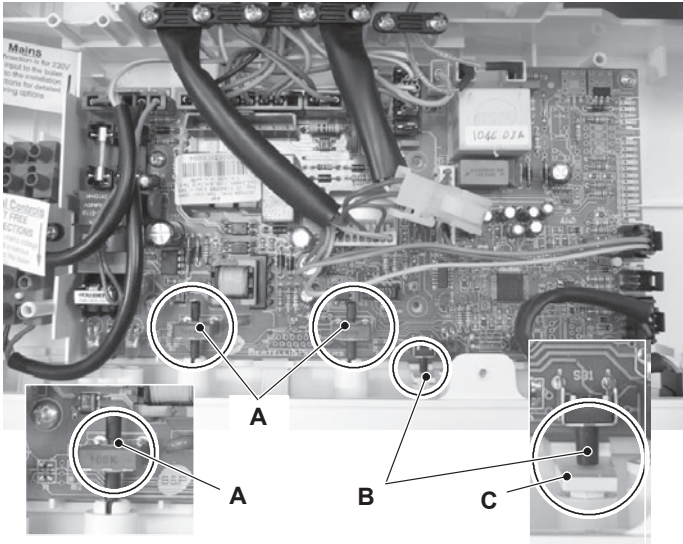


Figure 8.26

Attention

After installing the Electronic control/ignition p.c.b. :

- 10 Make sure the c.h. temperature (🌡️) and service (-|+) adjustment knobs can move freely for the complete range. If not, remove the spindle again as described at step 3, turn the knob half a turn and re-insert the spindle.
- 11 Operate the boiler and close the gas inlet cock so that the boiler goes into the safety lock-out state. Verify the correct operation of the boiler reset button by pressing and releasing it.



Warning: After cleaning or replacement as detailed above, if it deemed necessary to undertake a combustion analysis, refer to the appropriate chapter Maintenance of the installation instructions manual.

8.12 Thermal control in the ❄️ mode

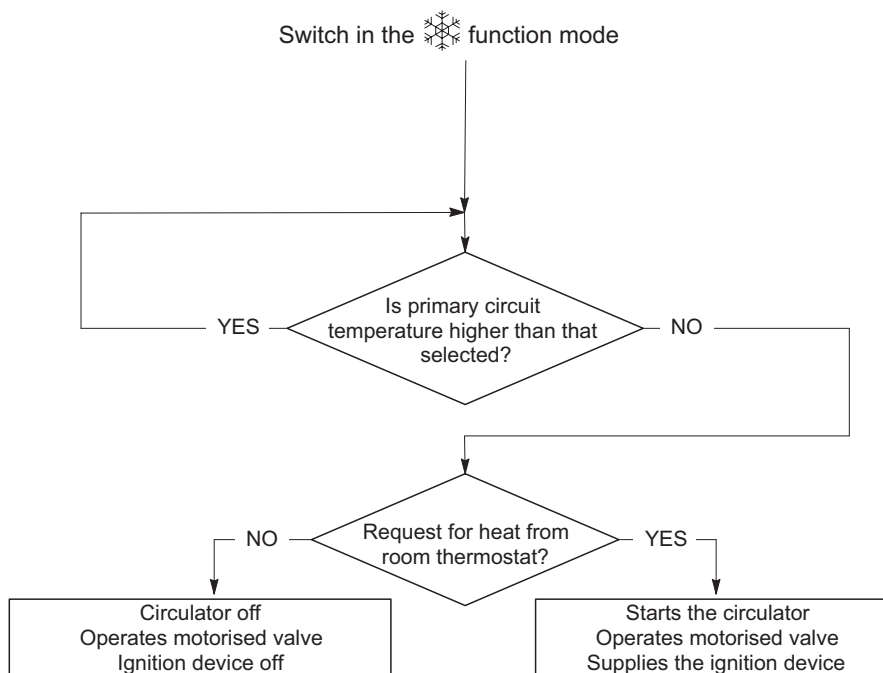


Figure 8.27

8.13 Ignition and control sequence

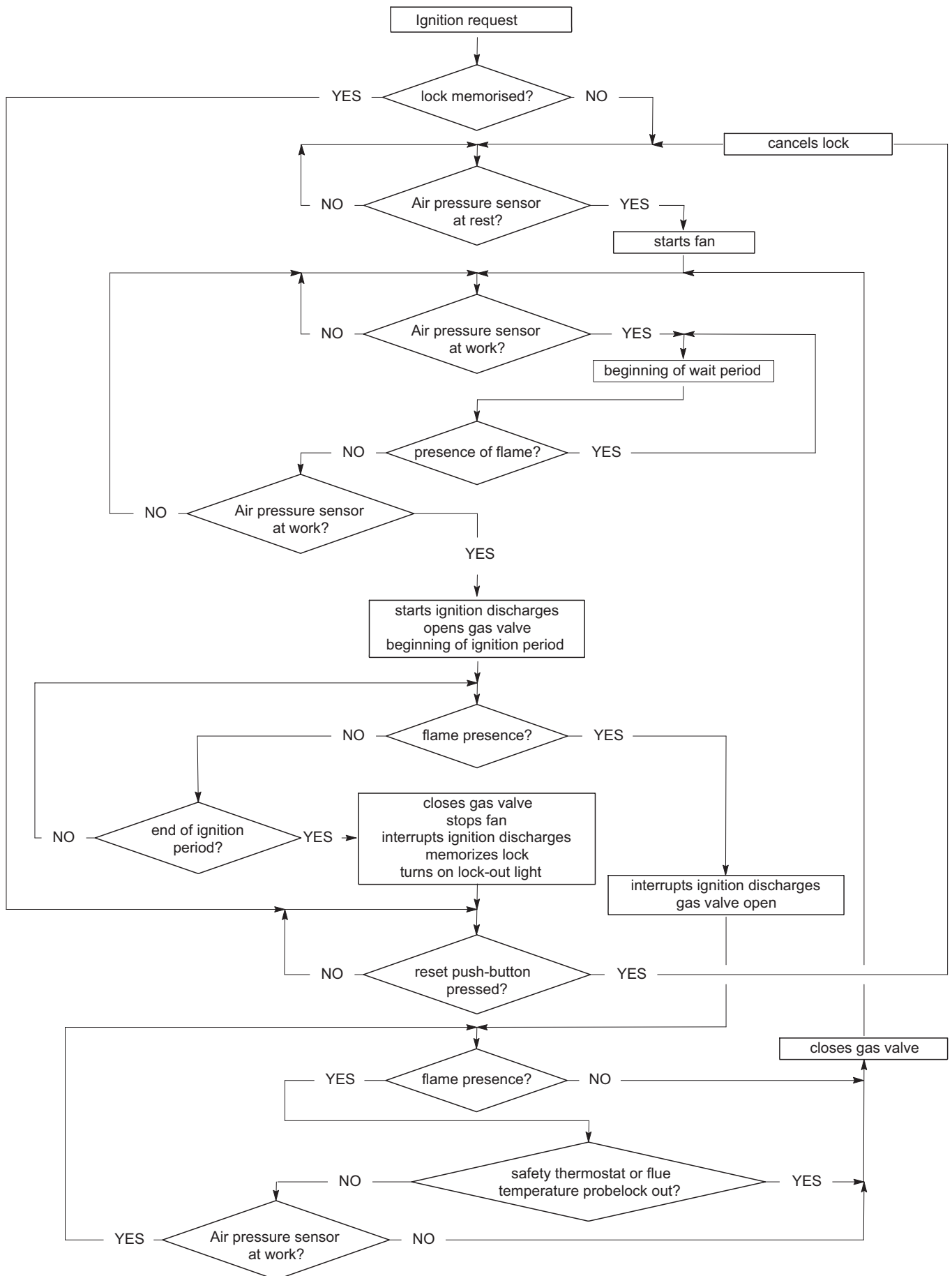


Figure 8.28

MODULATING GAS VALVE

9 MODULATING GAS VALVE

9.1 Function

The Modulating gas valve A in Figure 9.1 controls the gas inflow to the boiler burner.

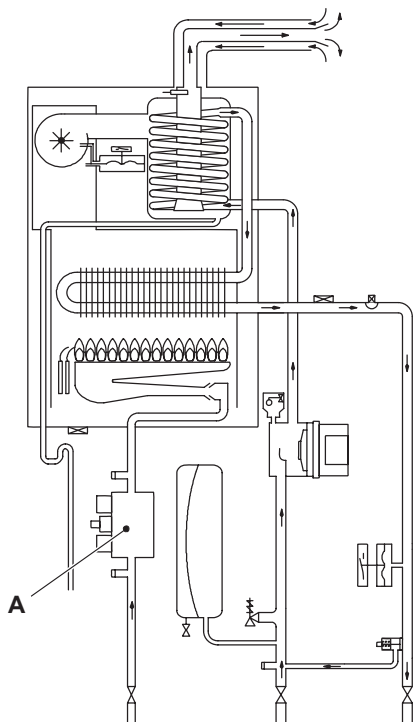


Figure 9.1

By means of an electric command given to the on-off operators the passage of the gas through the Modulating gas valve can be opened or closed.

By means of an electric command given to the modulation operator the pressure can be varied and therefore the gas flow rate to the burner (modulation). The modulation operator has mechanical components which allow the adjustment of the minimum and maximum pressure exiting the valve.

9.2 Nomenclature of the parts - (Figure 9.2)

- 1 Minimum gas pressure adjustment
- 2 Maximum gas pressure adjustment
- 3 Modulation operator's electric connectors
- 4 On-off operators electric connector
- 5 On-off operators
- 6 Gas valve inlet pressure test point
- 7 Gas valve outlet pressure test point
- 8 Modulation operator

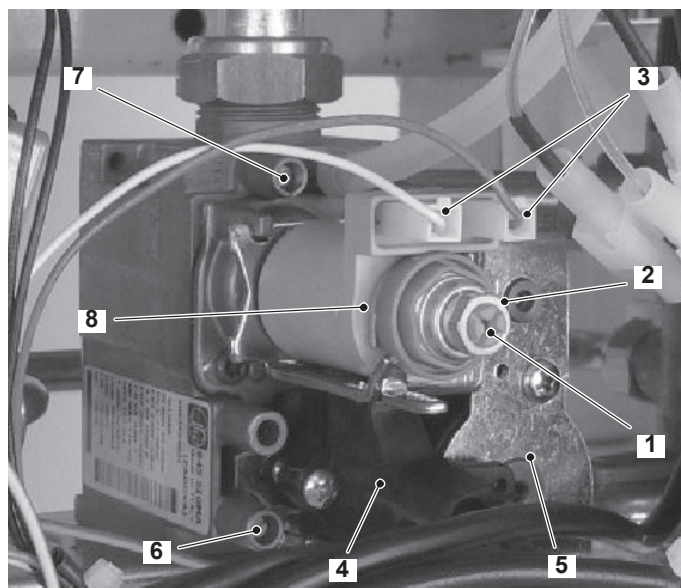


Figure 9.2

9.3 Adjustment

For the pressure values refer to the Technical data section of the User manual and Installation instructions.



Warning: isolate the boiler from the mains electricity supply before removing any covering or component.

- 1 Remove the case panels and the sealed chamber lid (section "Body panels" page 5).
- 2 Open the gas valve inlet pressure test point (6 in Figure 9.2) at the valve input, connect a suitable pressure gauge and check the gas pressure of the supply network.
- 3 Remove the gauge and close the pressure test point 6.
- 4 Open the gas valve outlet pressure test point (7 in Figure 9.2) and connect the gauge;

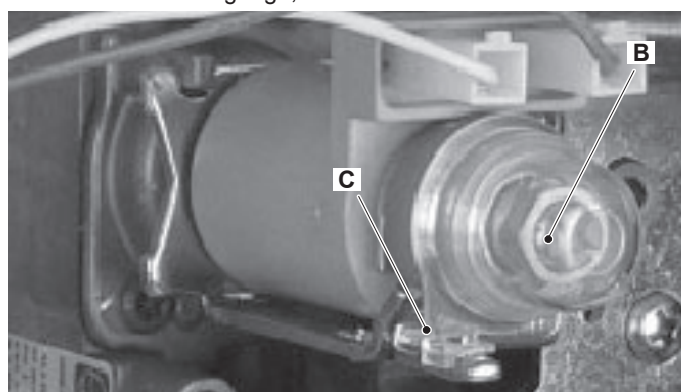


Figure 9.3

- 5 Remove the protection cap B (Figure 9.3) from the mechanical pressure adjustment components levering with a flat screwdriver in the slots C.
- 6 Start the boiler at its maximum power.
- 7 Rotate the maximum gas pressure adjustment (2 in Figure 9.2) until you obtain the required pressure (by rotating clockwise the pressure increases).
- 8 Turn the boiler off and disconnect one of the two connectors (3 in Figure 9.2).
- 9 Start the boiler and rotate the minimum gas pressure adjustment (1 in Figure 9.2) until you obtain the required pressure

MODULATING GAS VALVE

(by rotating clockwise the pressure increases).

- 10 Turn the boiler off and re-connect the wire to the modulating operator.
- 11 Start the boiler and check again the maximum gas pressure setting.
- 12 Turn the boiler off and disconnect the gauge.

Important: after the gas pressure checks and any adjustment operations, all of the test points must be sealed and replace the adjustment protection cap.

9.4 Checks



Warning: isolate the boiler from the mains electricity supply before removing any covering or component.

✓ Check the modulation operator coil

- 1 Remove the front panel of the case.
- 2 Disconnect the connectors D (Figure 9.5) from the modulating operator and measure the electrical resistance of the coil. Its electrical resistance value must be approx. 80 Ω*.

✓ Check the on-off operators coils

- 1 Remove the front panel of the case.
- 2 Disconnect the electrical connector E (Figure 9.5).
- 3 Measure the electrical resistance between the connector pins of the on-off operators as illustrated in Figure 9.4.

Upper on-off operator
approx. 6400 Ω*

Lower on-off operator
approx. 920 Ω*

*at ambient temperature.

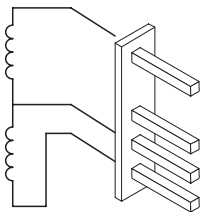


Figure 9.4

9.5 Removal of the on-off operators coils



Warning: isolate the boiler from the mains electricity supply before removing any covering or component.

- 1 Remove the front panel of the case.
- 2 Disconnect the connector E (Figure 9.5).
- 3 Unscrew the screw F and remove on-off operator coils.
- 4 Reassemble the coils carrying out the removal operations in reverse order.

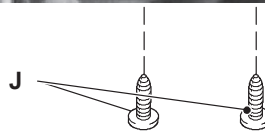
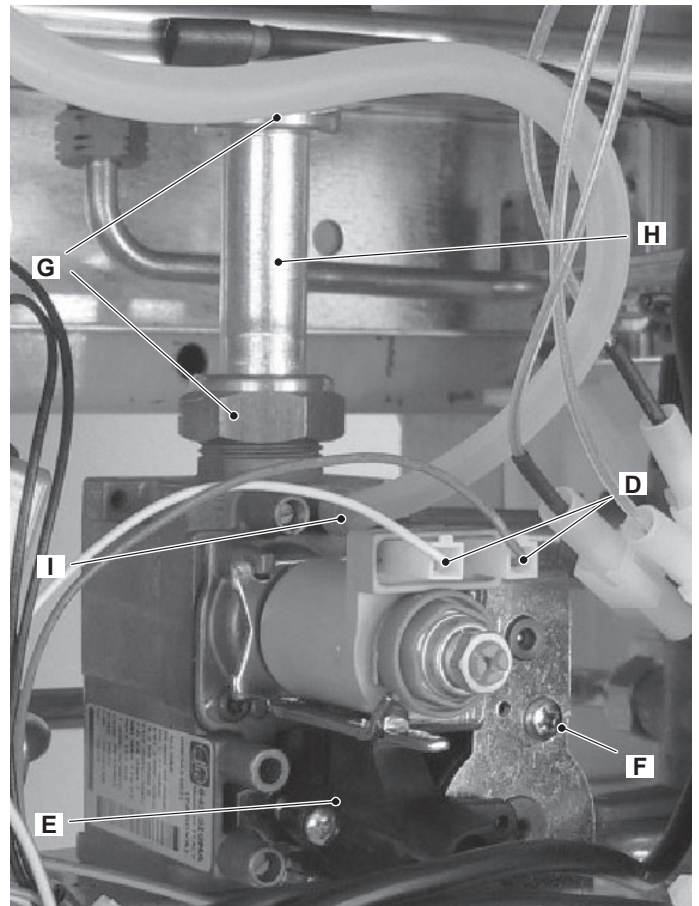


Figure 9.5

9.6 Removal of the gas valve



Warning: isolate the boiler from the mains electricity supply before removing any covering or component.

- 1 Remove the front panel of the case as explained in the section "Control panel" page 5 of this manual.
- 2 Disconnect the connectors D and E (Figure 9.5).
- 3 Turn off the gas supply and disconnect the gas isolation cock connector from the inlet port of the gas valve.
- 4 Unscrew the connectors G and remove the pipe H.
- 5 Remove the rubber pipe I.
- 6 Unscrew the screws J and remove the valve.
- 7 Reassemble the valve carrying out the removal operations in reverse order.

After any service operation on the components of the gas circuit check all the connections for gas leaks.



Warning: After cleaning or replacement as detailed above, if it deemed necessary to undertake a combustion analysis, refer to the appropriate chapter Maintenance of the installation instructions manual.

PRIMARY CIRCUIT FLOW SWITCH

10 PRIMARY CIRCUIT FLOW SWITCH

10.1 Function

The Primary circuit pressure switch (A in Figure 10.1) function is to check the presence of water in the primary hydraulic circuit and that the pressure is above the minimum.

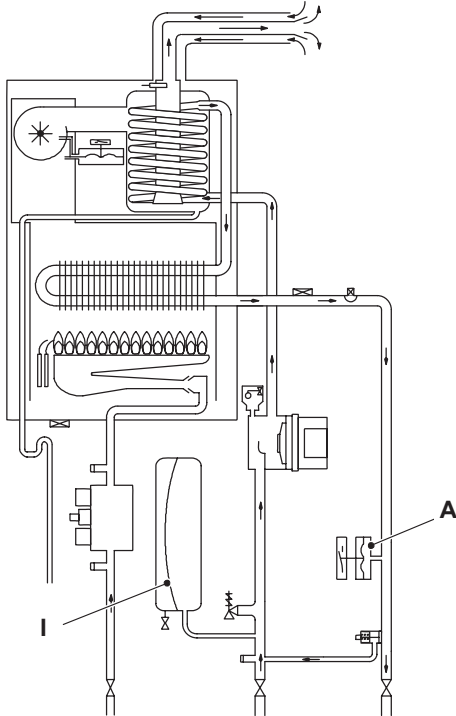


Figure 10.1

This device is connected to the electronic control p.c.b. and if it does not activate the control board will indicate that a fault condition (see section "Operation lights" page 17) has occurred.

10.2 Checks



Warning: isolate the boiler from the mains electricity supply before removing any covering or component.

✓ Electrical check

It is possible to verify the general operation of the switch by measuring the electric resistance between the contacts C and N.O. of the switch.

- 1 Measure the electrical resistance between the tabs marked C and N.O. (Figure 10.2).
The contact must close (resistance zero) with c.h. pressure of 0,35 bar or higher.

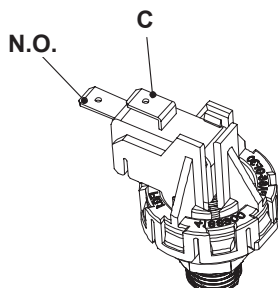


Figure 10.2

10.3 Removal



Warning: isolate the boiler from the mains electricity supply before removing any covering or component.

- 1 Remove the front and right hand side panels of the case, turn off the flow and return isolation valves and empty the primary circuit.
- 2 Remove the fixing spring B (Figure 10.3) and remove the primary circuit pressure switch A.
- 3 Disconnect the connectors.



Figure 10.3

- 4 Reassemble the primary circuit pressure switch in reverse order of removal.



Warning: to lubricate the O-ring gaskets exclusively use a silicone base grease compatible to be in contact with foods and approved by the local water Authorities.

EXPANSION VESSEL AND TEMPERATURE-PRESSURE GAUGE

11 EXPANSION VESSEL AND TEMPERATURE-PRESSURE GAUGE

11.1 Function

The Expansion vessel (I in Figure 10.1) function is to allow for the volume expansion of the c.h. circuit water due to the temperature rise.

11.2 Checks

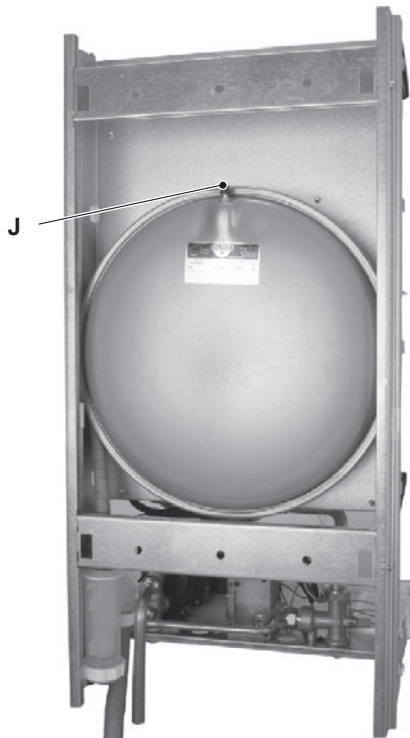


Figure 11.1 Rear view of the boiler

- 1 Turn off the flow and return isolation valves and empty the primary circuit of the boiler.
- 2 Remove the protective cap J (Figure 11.1) from the valve on the top of the expansion vessel and connect a suitable air pressure gauge.
- 3 Check the pre-load pressure and refer to the section Expansion vessel in the User manual and installation instructions for the correct value.

11.3 Removal of the expansion vessel

If there is at least 400 mm clearance above the boiler and the rear exit flue can be easily removed, the expansion vessel can be changed without removing the boiler.



Warning: isolate the boiler from the mains electricity supply before removing any covering or component.

- 1 Remove the front and left hand side panels of the case, turn off the flow and return isolation valves and empty the primary circuit.
- 2 Completely unscrew the connection K, the locknut L (Figure 11.2) and remove the expansion vessel from the top of the boiler.

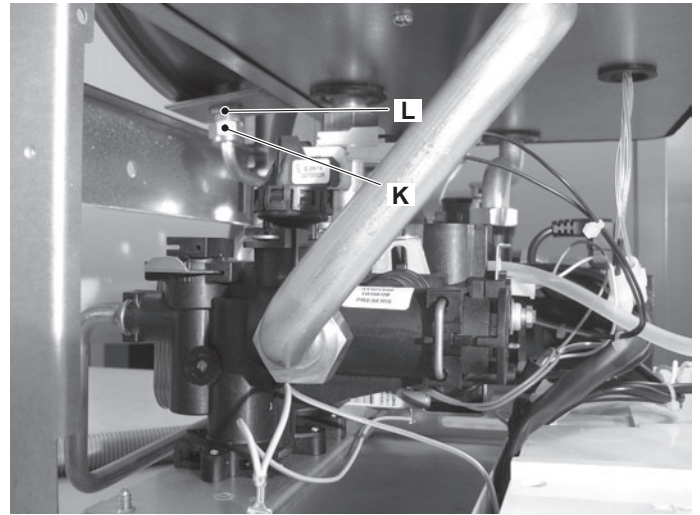


Figure 11.2

- 3 Re-assemble the parts in reverse order of removal.

11.4 Removal of the temperature-pressure gauge

- 1 Remove the front and right hand side panels of the case, turn off the flow and return isolation valves and empty the primary circuit.
- 2 Remove the fork M and the probe holder spring N (Figure 11.3).
- 3 Squeeze the tabs O to release the temperature-pressure gauge P and remove it.
- 4 Re-assemble the parts in reverse order of removal.

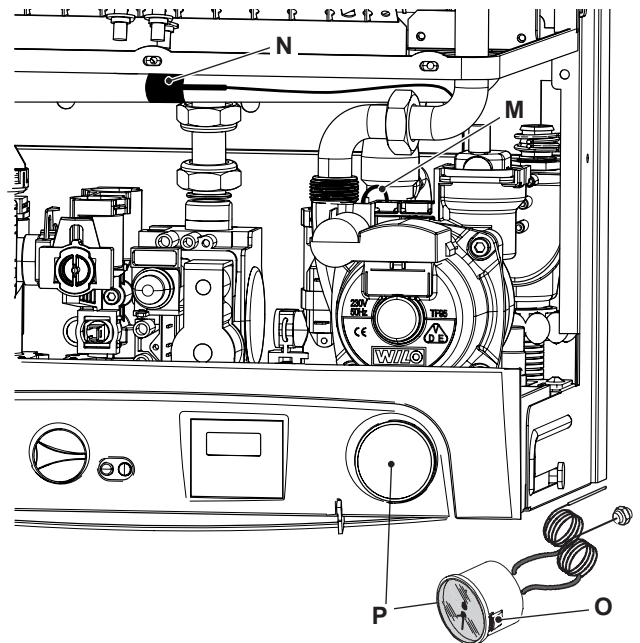


Figure 11.3

TEMPERATURE PROBE

12 TEMPERATURE PROBE

12.1 Function

The Temperature probe has the function of converting the temperature of the water in the hydraulic circuit where it is installed into an electrical signal (resistance).

The relation between temperature and electrical resistance is stated in Figure 12.1.

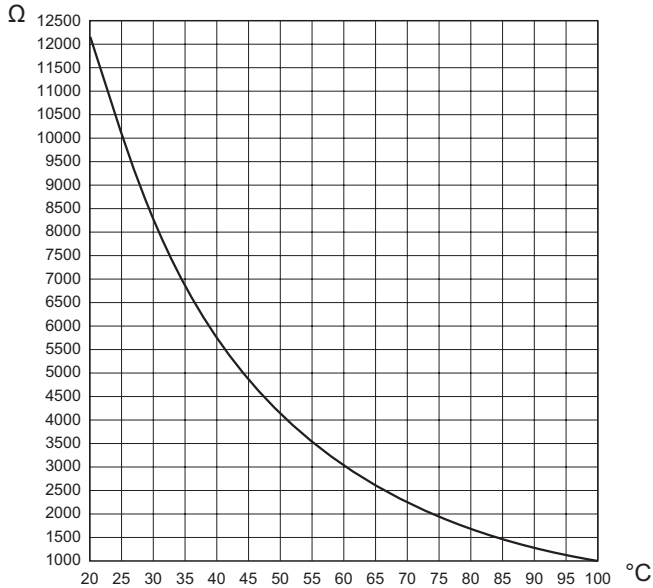


Figure 12.1

On the boiler there is one Temperature probe on the output of the primary heat exchanger (c.h. temperature probe) A in Figure 12.2 and Figure 12.3.

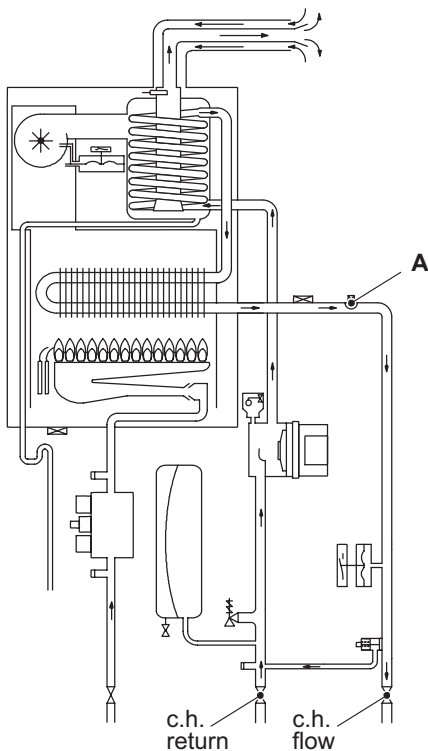


Figure 12.2

12.2 Checks

✓ Sensor operation



Warning: isolate the boiler from the mains electricity supply before removing any covering or component.

Disconnect the cable from the Temperature probe. Measure the temperature of the pipe B where the Temperature probe is located and check the electrical resistance according to the graph in Figure 12.1.

12.3 Removal of the c.h. Temperature probe



Warning: isolate the boiler from the mains electricity supply before removing any covering or component.

1 Remove all the case panels and the sealed chamber lid.

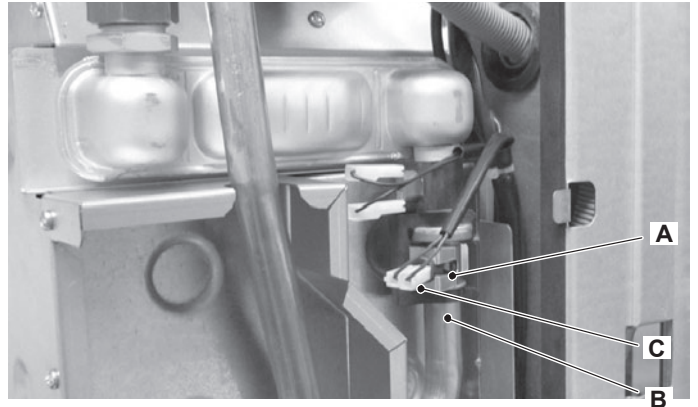


Figure 12.3

2 Remove the electric connector C and remove the c.h. temperature probe A (Figure 12.3).

3 Reassemble the c.h. temperature probe carrying out the removal operations in reverse order.

BY-PASS VALVE

13 BY-PASS VALVE

13.1 Function

The By-pass valve A in Figure 13.1 is located between the c.h. water flow and return and its function is that of guaranteeing a minimum flow across the primary heat exchanger if the circulation across the c.h. system is completely closed. The By-pass valve is inside of the diverter group.

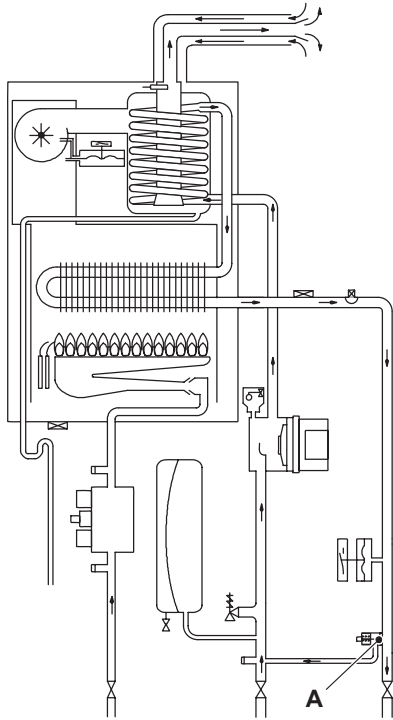


Figure 13.1

13.2 Removal



Warning: isolate the boiler from the mains electricity supply before removing any covering or component.

- 1 Remove all the case panels.
- 2 Empty the primary circuit of the boiler.
- 3 Remove the locking plate B and pull up the by-pass valve A (Figure 13.3).

- 4 Reassemble the by-pass valve as illustrated in Figure 13.2 reversing the order of removal.



Warning: to lubricate the O-ring gaskets exclusively use a silicone base grease compatible to be in contact with foods and approved by the local water Authorities.



Attention: when reassembling the By-pass valve be sure that it is correctly oriented by matching the reference C with the notch D of the water group Figure 13.3.

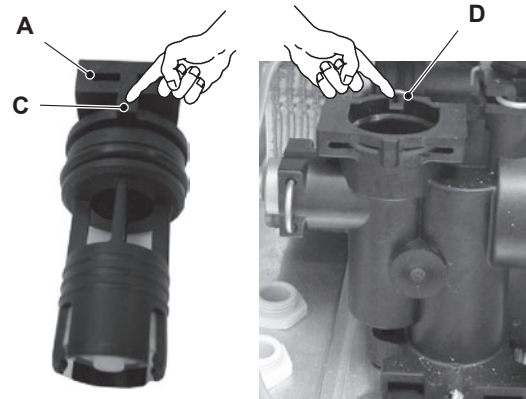


Figure 13.3

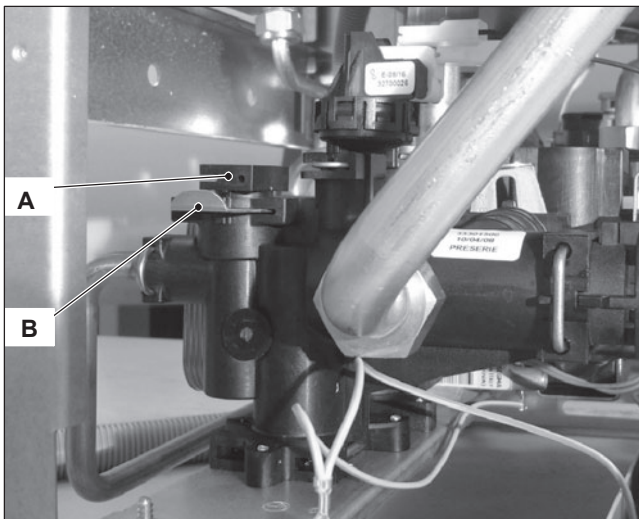


Figure 13.2

FAN AND AIR PRESSURE SENSOR

14 FAN AND AIR PRESSURE SENSOR

14.1 Function

The function of the Fan A (Figure 14.1 and Figure 14.2) is to force the products of combustion through the condensing heat exchanger to the outside air via the flue system.

The Fan is supplied by the full sequence ignition device at the beginning of the ignition cycle.

Its correct functioning is controlled by means of an Air pressure sensor B (Figure 14.1 and Figure 14.2).

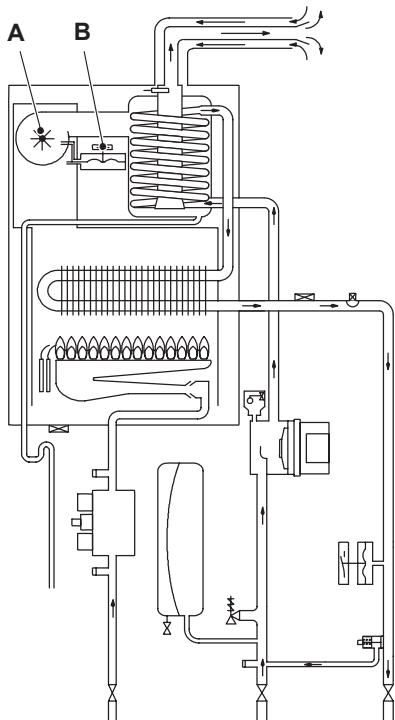


Figure 14.1

14.2 Checks

✓ Check of the fan



Warning: isolate the boiler from the mains electricity supply before removing any covering or component.

- 1 Remove all the case panels and the sealed chamber lid.
- 2 Disconnect the connectors C (Figure 14.2) and measure the electrical resistance of the motor that has to be about:
43 Ω - M296.24SR/C
25 Ω - M296.28SR/C
(at ambient temperature).

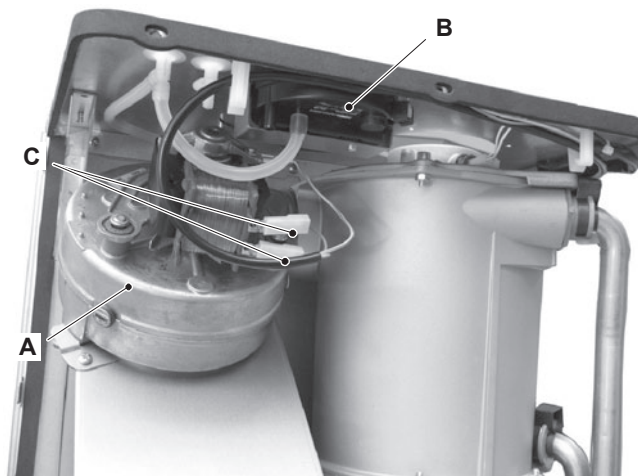


Figure 14.2

✓ Check of the Air pressure sensor operation

This test must be carried out with the sealed chamber closed.

- 1 Remove the caps of the pressure test points located on the top of the boiler and connect a differential pressure gauge (Figure 14.3).
- 2 Switch on the boiler.

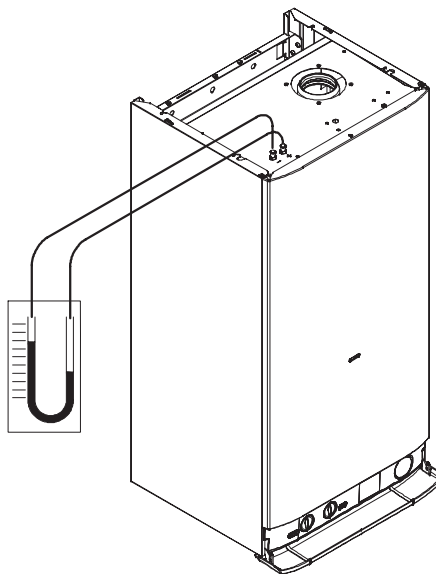


Figure 14.3

- 3 Run the boiler at minimum by disconnecting the gas valve modulation operator.
- 4 Compare the value on the gauge with the following:
75 Pa (0,75 mbar) - M296.24SR/C
92 Pa (0,92 mbar) - M296.28SR/C
- 5 Run the boiler at maximum (connect the modulation operator).
- 6 Compare the value on the gauge with the following:
125 Pa (1,25 mbar) - M296.24SR/C
155 Pa (1,55 mbar) - M296.28SR/C
- 7 With values less than:
64 Pa (0,64 mbar) - M296.24SR/C
82 Pa (0,82 mbar) - M296.28SR/C
The ignition is not allowed and appropriate fault indication is given (see section "Operation lights" page 17).

FAN AND AIR PRESSURE SENSOR

14.3 Removal of the Fan



Warning: isolate the boiler from the mains electricity supply before removing any covering or component.

- 1 Remove all the case panels and the sealed chamber lid.
- 2 Disconnect the connectors C and the earth connection D (Figure 14.4).
- 3 Disconnect the pipe E by the pressure test point F (Figure 14.4).
- 4 Unscrew the screw G and remove the bracket H (Figure 14.4).

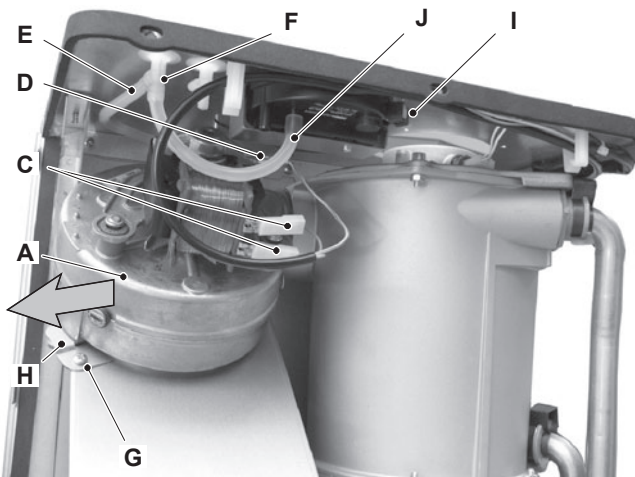


Figure 14.4

- 5 Remove the Fan by sliding it towards left (see the arrow in Figure 14.4).
- 6 Assemble the fan carrying out the removal operations in reverse sequence.



Warning: Re-assembling the fan ensure that the hooks around the inlet port of the fan hung correctly on the flue hood.



Warning: After cleaning or replacement as detailed above, if it deemed necessary to undertake a combustion analysis, refer to the appropriate chapter Maintenance of the installation instructions manual.

14.4 Removal of the Air pressure sensor



Warning: isolate the boiler from the mains electricity supply before removing any covering or component.

- 1 Remove all the case panels and the sealed chamber lid.
- 2 Disconnect the wires I from the Air pressure sensor.
- 3 Remove the pipe J from the Air pressure sensor.
- 4 Unscrew the screws which hold the Air pressure sensor to the frame.
- 5 Assemble the Air pressure sensor carrying out the removal operations in reverse sequence.



Warning: to correctly connect the Air pressure sensor, refer to Figure 14.5.

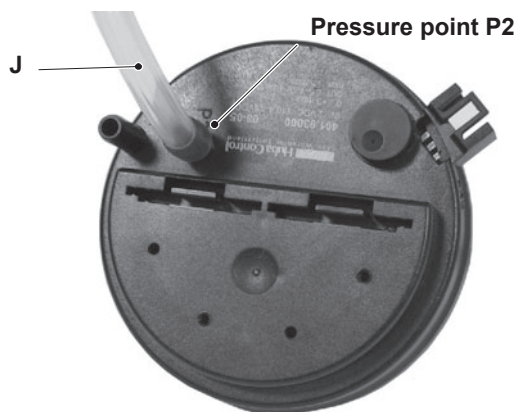


Figure 14.5



Warning: After cleaning or replacement as detailed above, if it deemed necessary to undertake a combustion analysis, refer to the appropriate chapter Maintenance of the installation instructions manual.

IGNITION AND DETECTION ELECTRODES

15 IGNITION AND DETECTION ELECTRODES

15.1 Function

Three electrodes are fitted on the burner. Two of them are the ignition electrodes and are fitted near the front part of the burner. The ignition sparks take place between their metallic edges over the central ramp of the burner during the ignition sequence. The third electrode is the detection electrode and it detects the presence of the flame.

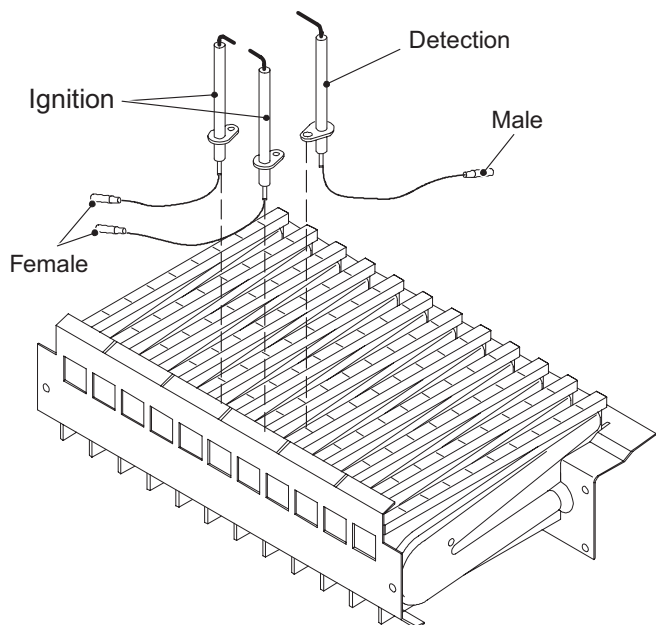


Figure 15.1

15.2 Checks

- ✓ Check the position of the electrode edges



Warning: isolate the boiler from the mains electricity supply before removing any covering or component.

- 1 Remove all the case panels, the sealed chamber lid and the combustion chamber lid.
- 2 Check for the correct distance between the metallic edges of the ignition electrodes (see Figure 15.2).

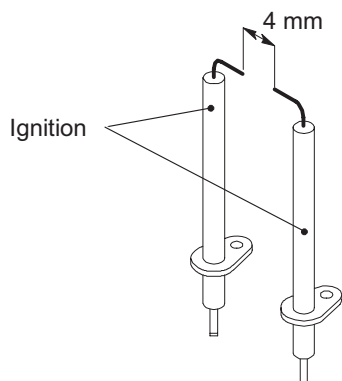


Figure 15.2

- 3 Check the integrity of the detection electrode and ensure that its metallic edge is correctly placed over the ramp of the burner.
- ✓ Check the connection wires.



Warning: isolate the boiler from the mains electricity supply before removing any covering or component.

- 1 Remove all the case panels, the sealed chamber lid and the combustion chamber lid.
- 2 Check for the integrity of the insulation of wires which connect the electrodes to the ignition device.

15.3 Removal



Warning: isolate the boiler from the mains electricity supply before removing any covering or component.

- 1 Remove all the case panels, the sealed chamber lid and the combustion chamber lid.
- 2 Disconnect the electrode wires from the full sequence ignition device.
- 3 Remove the plate E (see Figure 5.3 on page 11).
- 4 Remove the burner by unscrewing the four screws placed at the right and left sides of the burner.
- 5 Unscrew the screws A (Figure 15.3) which hold the electrodes to the burner.

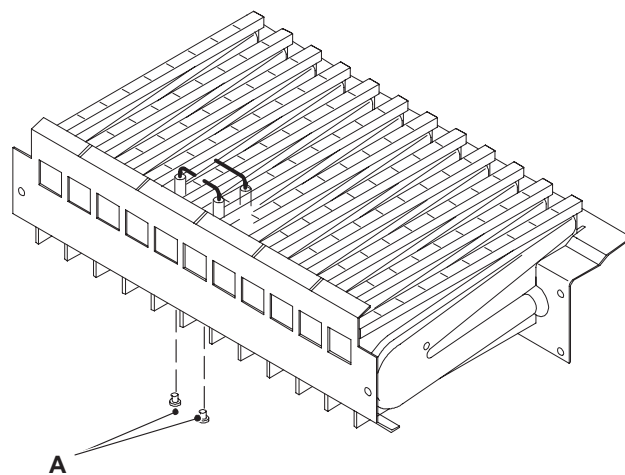


Figure 15.3

- 6 Extract the electrodes from the burner.
 - 7 Assemble the electrodes carrying out the removal operation in reverse order.
- Refer to Figure 15.1 in order to recognise the electrodes and to correctly connect the wiring.

Note: the metallic edge of the detection electrode is longer than the one of the ignition electrodes.



Warning: After cleaning or replacement as detailed above, if it deemed necessary to undertake a combustion analysis, refer to the appropriate chapter Maintenance of the installation instructions manual.

SAFETY THERMOSTAT

16 SAFETY THERMOSTAT

16.1 Function

The safety thermostat A in Figure 16.1 and Figure 16.2 is a device that senses the temperature of the primary circuit water which flows in the outlet pipe of the primary heat exchanger. If the temperature control system of the boiler fails and the temperature of the primary circuit reaches a dangerous temperature, the safety thermostat opens the electric circuit that supplies the on-off operators of the gas valve. Consequently, the full sequence ignition device attempts to light the burner and, at the end, locks the boiler and lights the lock-out signal lamp.

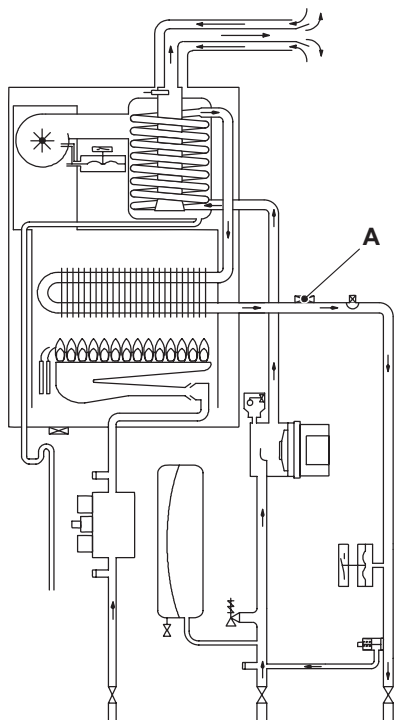


Figure 16.1

16.2 Checks

✓ Overheat temperature value

- 1 Set the temperature control knobs to their max. position and run the boiler in d.h.w. and c.h.
- 2 Allow the boiler to reach its maximum operating temperature (monitor the temperature gauge on the instrument panel). The boiler should maintain a temperature below that of the safety thermostat and no overheat intervention should occur.



Warning: isolate the boiler from the mains electricity supply before removing any covering or component.

✓ Electrical function

- 1 Remove all the case panels and the lid of the sealed chamber.
- 2 Disconnect the wiring B of the safety thermostat and check its electrical function. Normally (no intervention) the contact must be closed (electrical resistance zero Ω).

16.3 Removal



Warning: isolate the boiler from the mains electricity supply before removing any covering or component.

- 1 Remove all the case panels and the lid of the sealed chamber.

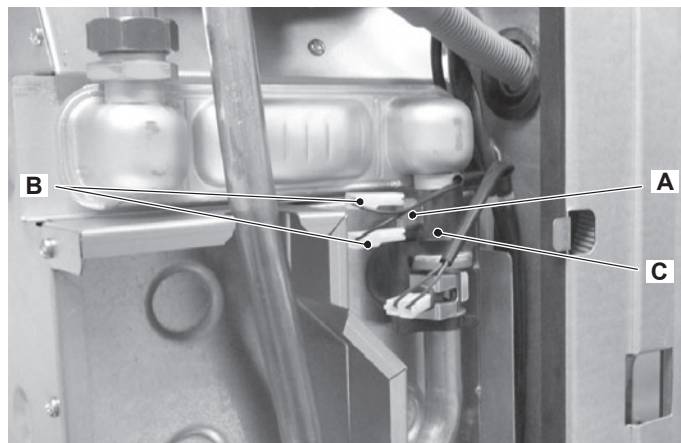


Figure 16.2

- 2 Disconnect the wiring B (Figure 16.2).
- 3 Remove the spring C which holds the overheat thermostat on the pipe of the primary heat exchanger and remove it.
- 4 Reassemble the overheat thermostat carrying out the operations in reverse order.
- 5 Apply an adequate quantity of heat conducting compound between the pipe and the thermostat.



Warning: After cleaning or replacement as detailed above, if it deemed necessary to undertake a combustion analysis, refer to the appropriate chapter Maintenance of the installation instructions manual.

FLUE TEMPERATURE PROBE NTC

17 FLUE TEMPERATURE PROBE NTC

17.1 Function

The Flue temperature probe NTC A in Figure 17.2 and Figure 17.3 senses the temperature of the combustion products that flow through the condensing heat exchanger.

The relation between temperature and electrical resistance is stated in Figure 17.1.

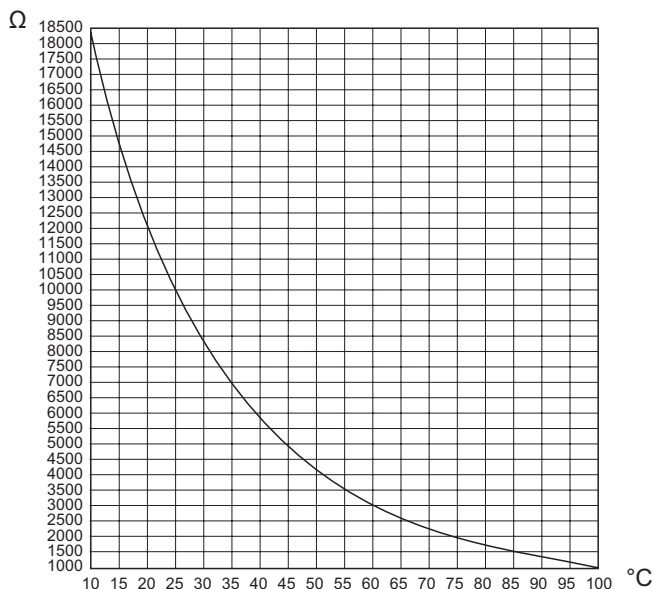


Figure 17.1

If the temperature of the combustion products circuit reaches the limit temperature, the Flue temperature probe NTC reduces the gas flow rate to the burner. The temperature of the combustion products should decrease to a safe value temperature.

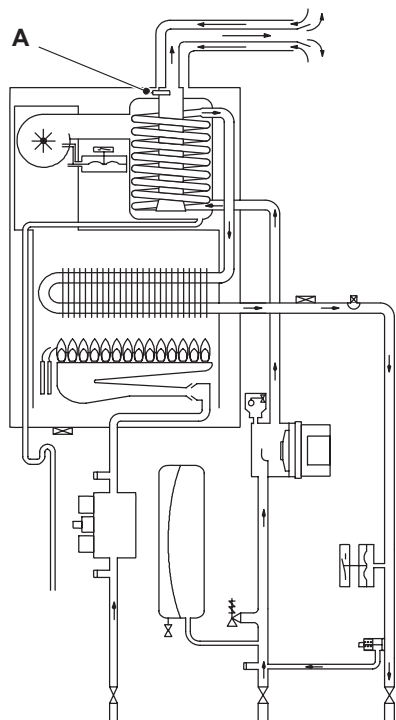


Figure 17.2

In the case that the temperature of the combustion products reaches a potentially dangerous value, it stops the boiler operation. It is therefore allowed the use of plastic materials for the flue outlet pipes and bends.

The use of kits different from the original isn't however allowed, since the flue pipes are integral parts of the boiler.

If not, the electronic control p.c.b. attempts to light the burner and, at the end, locks the boiler and lights the lock-out signal lamp.

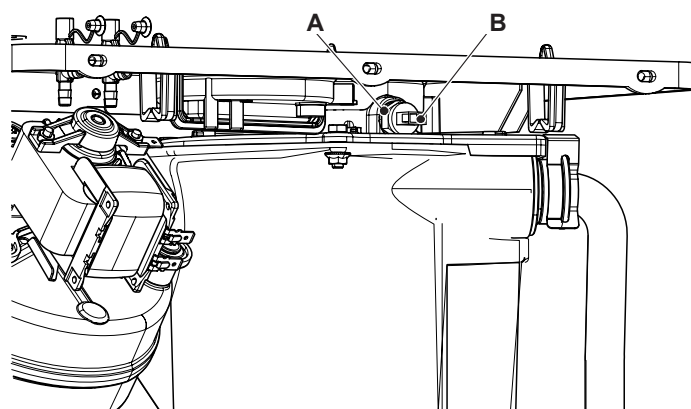


Figure 17.3

17.2 Checks

- ✓ Overheat temperature value
 - 1 Set the temperature control knobs to their max. position and run the boiler in d.h.w. and c.h.
 - 2 Allow the boiler to reach its maximum operating temperature (monitor the temperature gauge on the instrument panel). The boiler should maintain a temperature below that of the Flue temperature probe NTC and no overheat intervention should occur.
- ✓ Temperature-resistance relationship.
 - 1 Remove the probe (see section "Removal" page 34) to have it at room temperature.
 - 2 The electric resistance of the Flue temperature probe NTC at room temperature of 20°C must be of approximately 12000 Ω
 - 3 For other temperatures of the probe check the electrical resistance according to the graph (Figure 17.1)

17.3 Removal



Warning: isolate the boiler from the mains electricity supply before removing any covering or component.

- 1 Remove all the case panels and the sealed chamber lid.
- 2 Disconnect the wires B from the Flue temperature probe NTC (Figure 17.3).
- 3 Unscrew and remove the thermostat probe A (Figure 17.3) from the condensing heat exchanger.
- 4 Assemble the Flue temperature probe NTC carrying out the removal operations in reverse sequence.

CONDENSATE TRAP

18 CONDENSATE TRAP

18.1 Function

The condensate trap A in Figure 18.1 and Figure 18.2 allows the discharge of the condensate via the condensate drain pipe avoiding in the mean time the escape of combustion products. A plastic ball closes the trap outlet in case that the trap is empty.

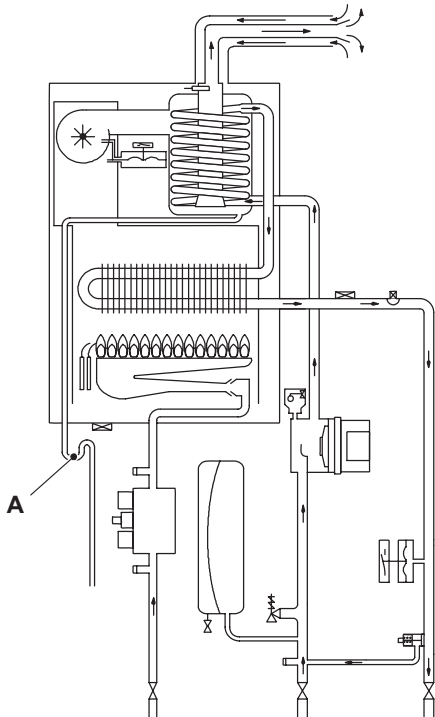


Figure 18.1

If the drain pipe is plugged or in any case in which the condensate isn't correctly evacuated, the condensate level rises filling the trap and reaching the condensing heat exchanger. When the condensate reaches the lower part of the exchanger obstructs the exhaust gas flow and the boiler stops (no signal from the air pressure sensor).

18.2 Removal



Warning: isolate the boiler from the mains electricity supply before removing any covering or component.

- 1 Remove the front and right case panels.
- 2 Disconnect the trap from the draining pipe.
- 3 Using pliers, remove the spring B moving it upwards.
- 4 Disconnect the rubber pipe C.
- 5 Unscrew the nut D and lower the trap.
- 6 Disconnect the wirings from the trap.
- 7 Reassemble carrying out the removal operations in reverse order.

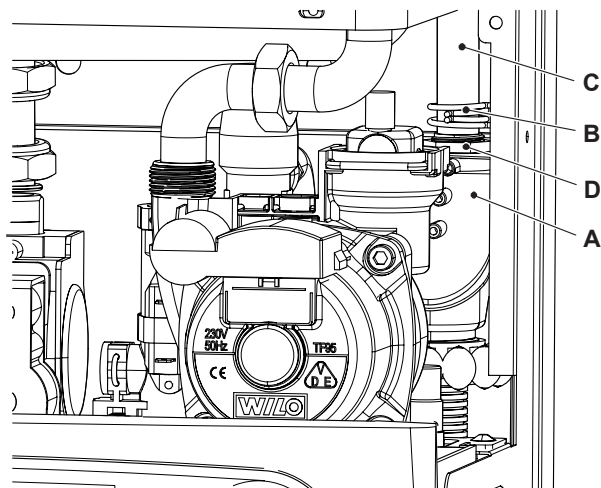


Figure 18.2

SHORT SPARE PARTS LIST

19 SHORT SPARE PARTS LIST

Key	G.C. part no.	Description	Q.ty	Manufacturer part no.	Manufacturer's reference
1	173 - 148	Burner (mod. M296.24SR/C)	1	KI1004 102	Polidoro
	173 - 149	Burner (mod. M296.28SR/C)	1	KI1004 147	
2	H74 - 599	Injectors for natural gas (mod. M296.24SR/C)	12	BI1213 109	Polidoro
		Injectors for natural gas (mod. M296.28SR/C)	14		
	169 - 070	Injectors for LPG (mod. M296.24SR/C)	12	KI1064 506	
		Injectors for LPG (mod. M296.28SR/C)	14		
3	E83 - 121	Expansion vessel (mod. M296.24SR/C, M296.28SR/C)	1	BI1172 103	CIMM 6 litres
4	H20 - 984	Main heat exchanger (mod. M296.24SR/C)	1	BI1262 101	
	H20 - 985	Main heat exchanger (mod. M296.28SR/C)	1	BI1262 102	
5	H74 - 578	Fan (mod. M296.24SR/C)	1	BI1536 105	Fime
	H74 - 604	Fan (mod. M296.28SR/C)	1	BI1536 113	Fime
6	H03 - 746	Gas valve	1	BI1093 105	Sit 845
7	H74 - 576	Air pressure sensor	1	BI1536 103	HUBA 0-3 mbar
8	E83 - 083	Safety valve	1	BI1131 100	Watts
9	E83 - 178	Combustion chamber side panels	2	BI1326 100	
10	E83 - 180	Combustion chamber rear panel (mod. M296.24SR/C)	1	BI1326 107	
	E83 - 181	Combustion chamber rear panel (mod. M296.28SR/C)	1	BI1326 108	
11	H74 - 591	Combustion chamber front panel (mod. M296.24SR/C)	1	BI1536 110	
	H74 - 592	Combustion chamber front panel (mod. M296.28SR/C)	1	BI1536 111	
12		Electronic regulation p.c.b.	1	BI2015 105	Bertelli & Partners
13		Pump	1	BI1552 100	WILO INTNFSL12/6-HEP-1-12
14	H74 - 545	Primary circuit flow switch	1	BI1351 118	
15	E83 - 101	Overheat thermostat	1	BI1172 105	ELTH - type 261
16	H74 - 589	Flue temperature probe NTC	1	BI1536 104	
17	H44 - 170	Fuse 3,15 AF	2	BI1295 108	
18	H74 - 553	Temperature probe (main circuit)	1	BI1442 106	
19	E83 - 127	Ignition electrode (left) (mod. M296.24SR/C, M296.28SR/C)	1	BI1123 101	
20	E83 - 126	Ignition electrode (right) (mod. M296.24SR/C, M296.28SR/C)	1	BI1123 103	
21	E83 - 122	Detection electrode (mod. M296.24SR/C, M296.28SR/C)	1	BI1123 102	
22	E83 - 145	Temperature - pressure gauge	1	BI1475 108	IMIT
23		Recuperator	1	BI1442 121	

SHORT SPARE PARTS LIST

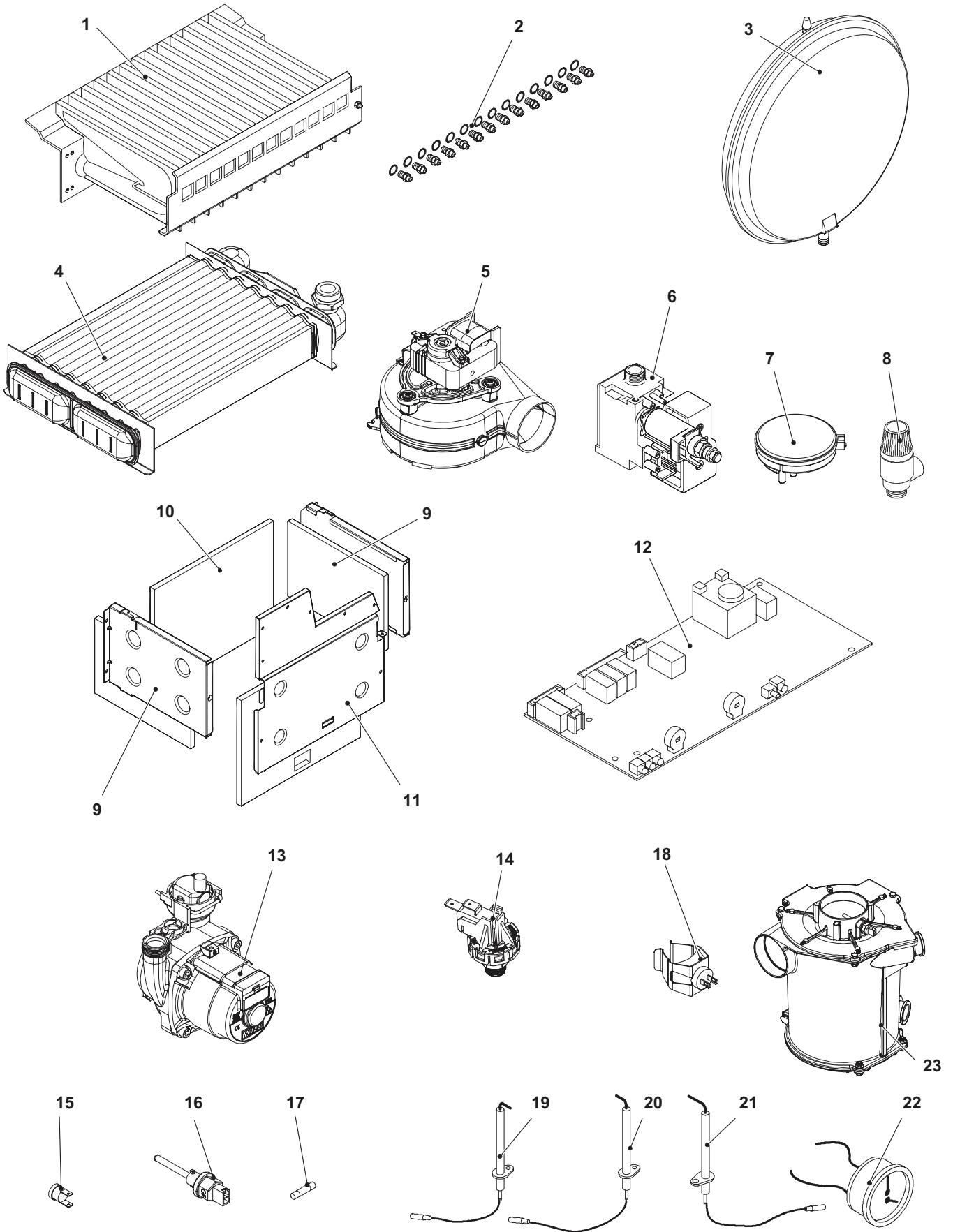


Figure 19.1

NOTE



17962.1551.2 1614 40A4 UK

Biasi UK Ltd
Commercial Road
Leamore Enterprise Park
WALSALL

WS2 7NQ

Sales Tel. 01922 714600
Tech. Service Tel. 01922 714636
www.biasi.co.uk

