



# Spare Parts List

M296.24SM/C

M296.28SM/C

M296.24SR/C

M296.28SR/C

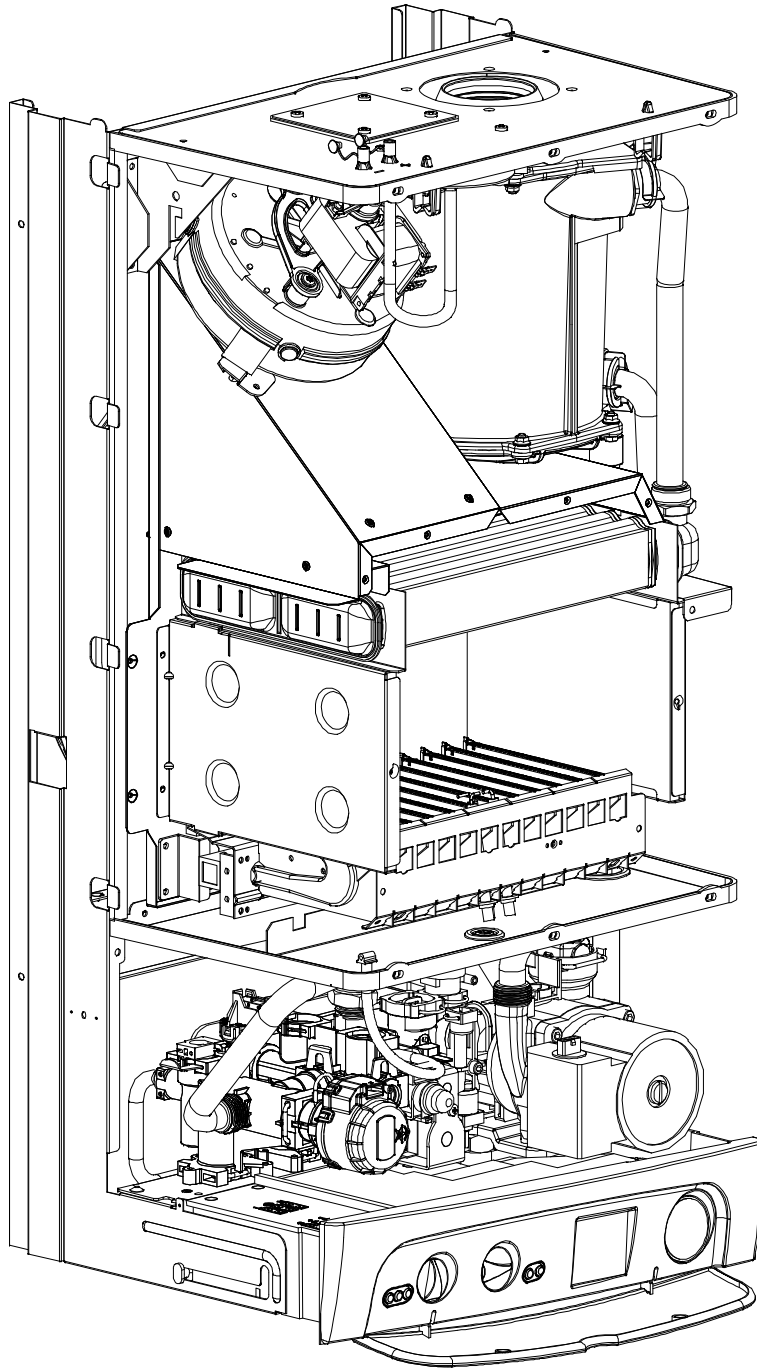
**Issue 03/2011**

Table description	Issue	n. of pages
Overall view	03/2011	1
C.h. return group and d.h.w. heat exchanger	03/2011	1
C.h. flow group and three way diverter valve	03/2011	1
C.h. flow group and return groups	03/2011	1
Pump and main circuit assembly (model M296.24SM/C, M296.28SM/C)	03/2011	1
Pump and main circuit assembly (model M296.24SR/C, M296.28SR/C)	03/2011	1
Gas assembly	03/2011	1
Valves and connection pipes	03/2011	1
Control panel and ignition device	03/2011	1
Wiring	03/2011	1
Fan, combustion chamber and case panels	03/2011	1
List of parts M296.24SM/C, M296.28SM/C	03/2011	8
List of parts M296.24SR/C, M296.28SR/C	03/2011	8

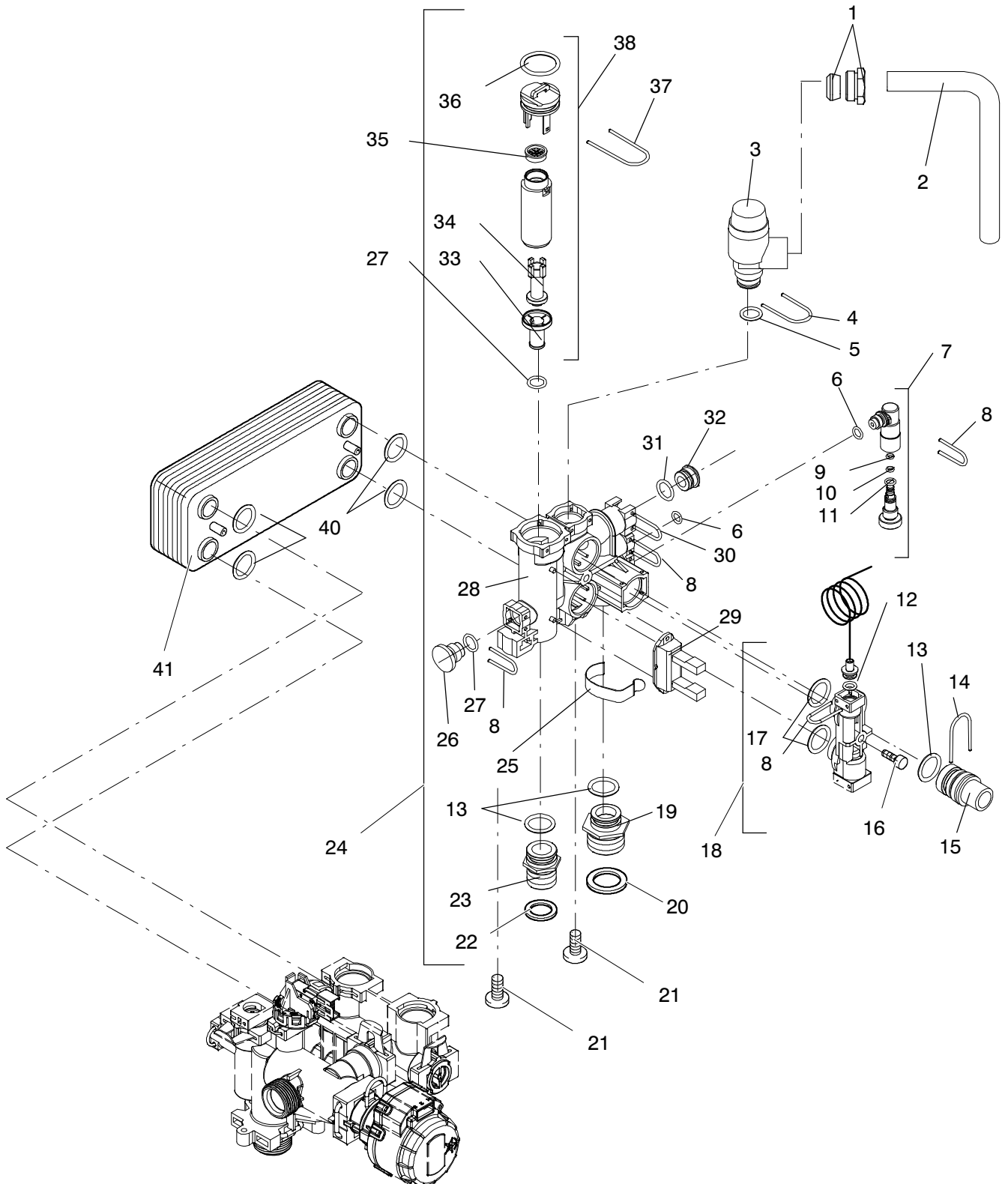
M296.24SM/C  
M296.28SM/C  
M296.24SR/C  
M296.28SR/C

Overall view

DATA BADGE: inner side of left case panel

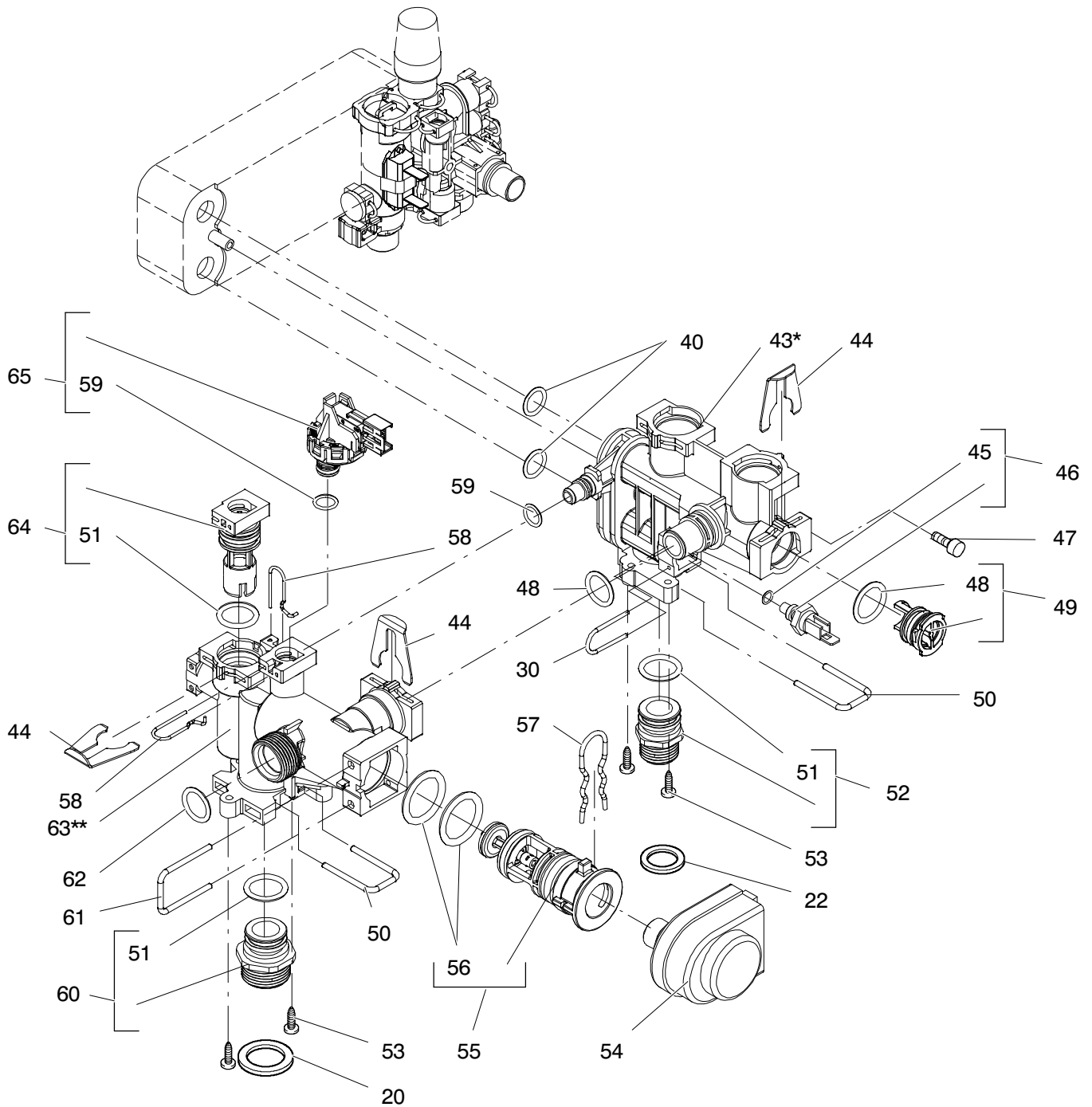


C.h. return group and d.h.w. heat exchanger



M296.24SM/C  
M296.28SM/C

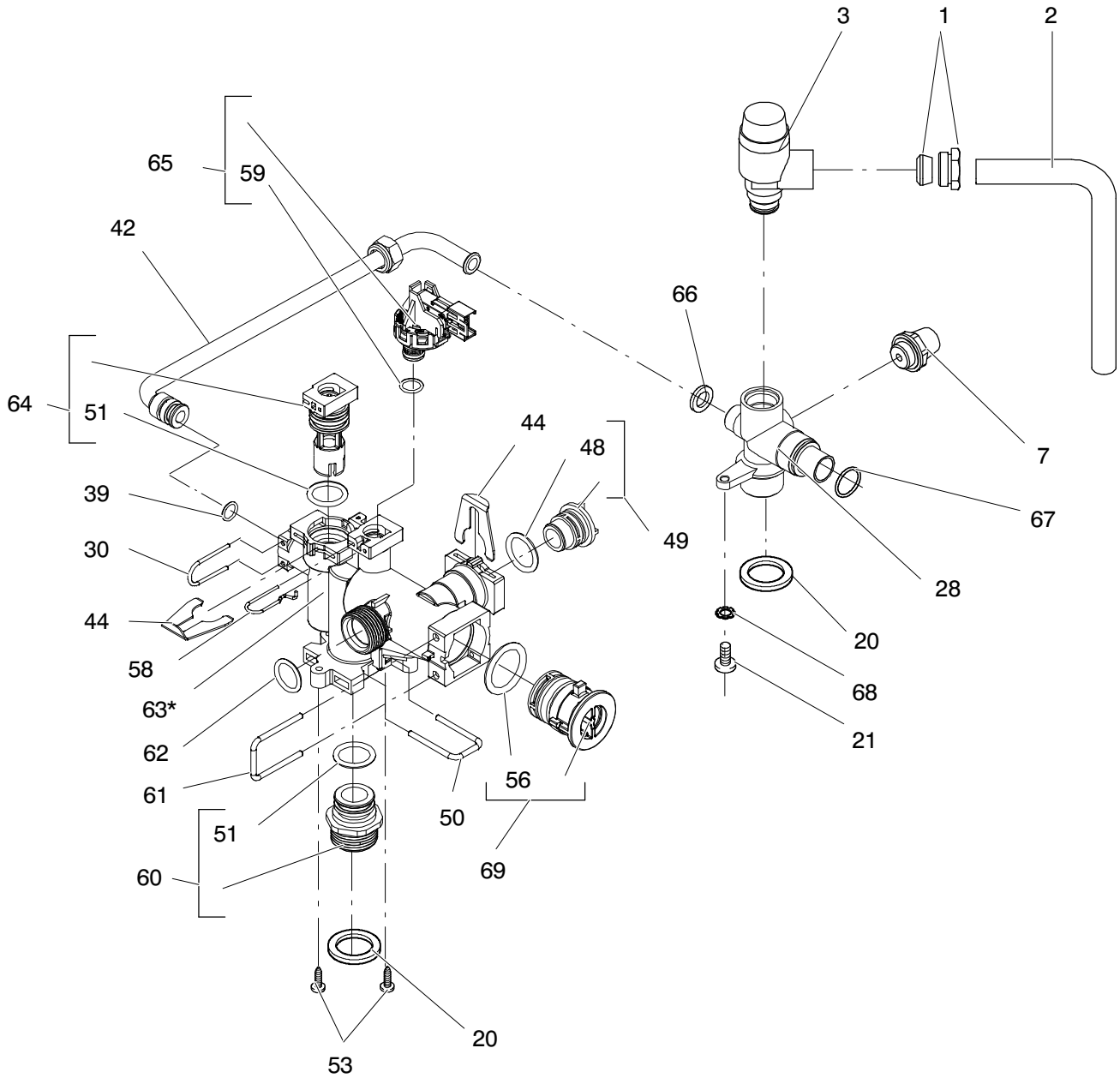
C.h. flow group and three way diverter valve



\* Includes items 40, 45, 48, 51, 59

\*\* Includes items 62, 39, 48, 51, 56, 59

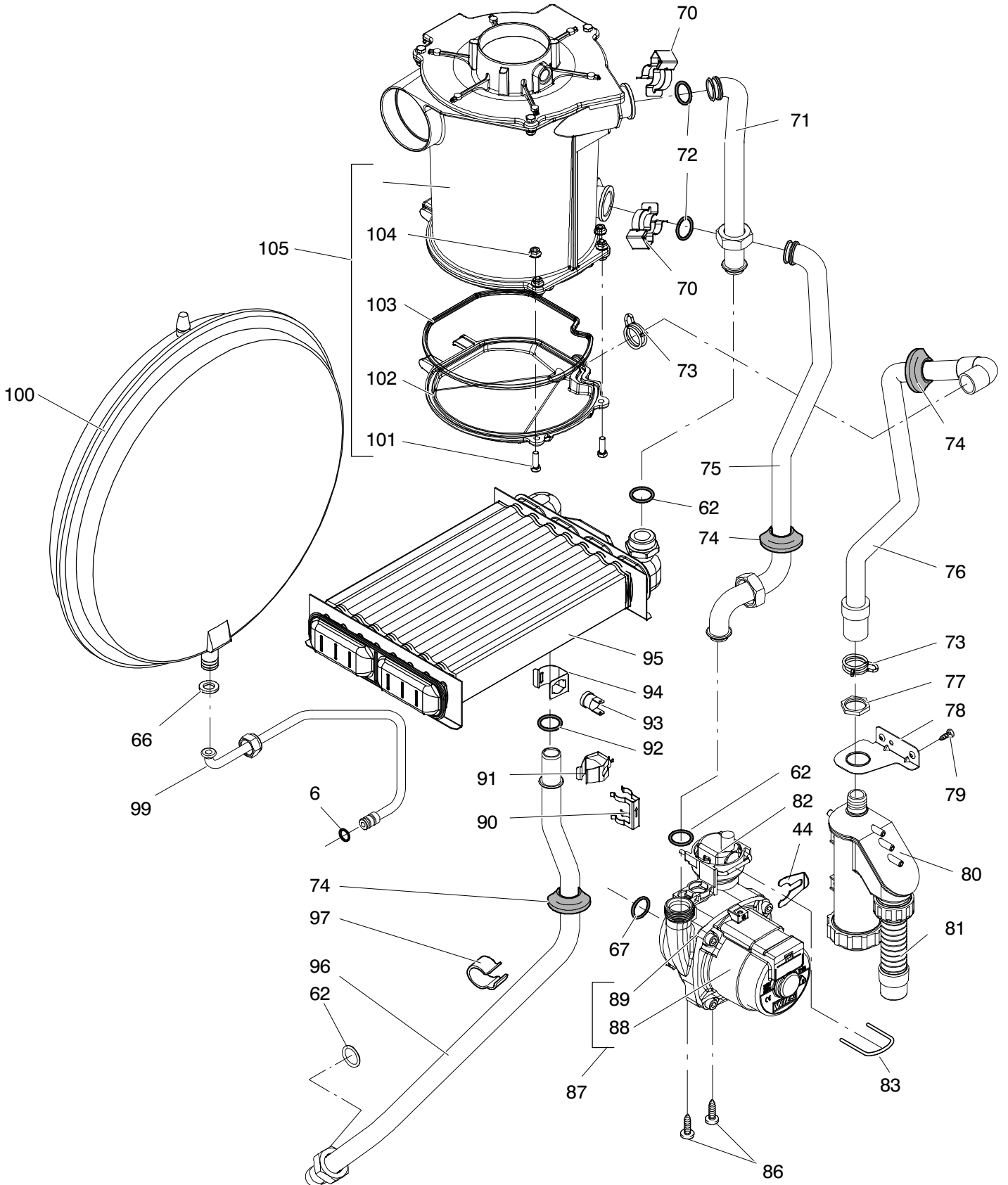
C.h. flow and return groups



\* Includes items 62, 39, 48, 51, 56, 59, 49, 69

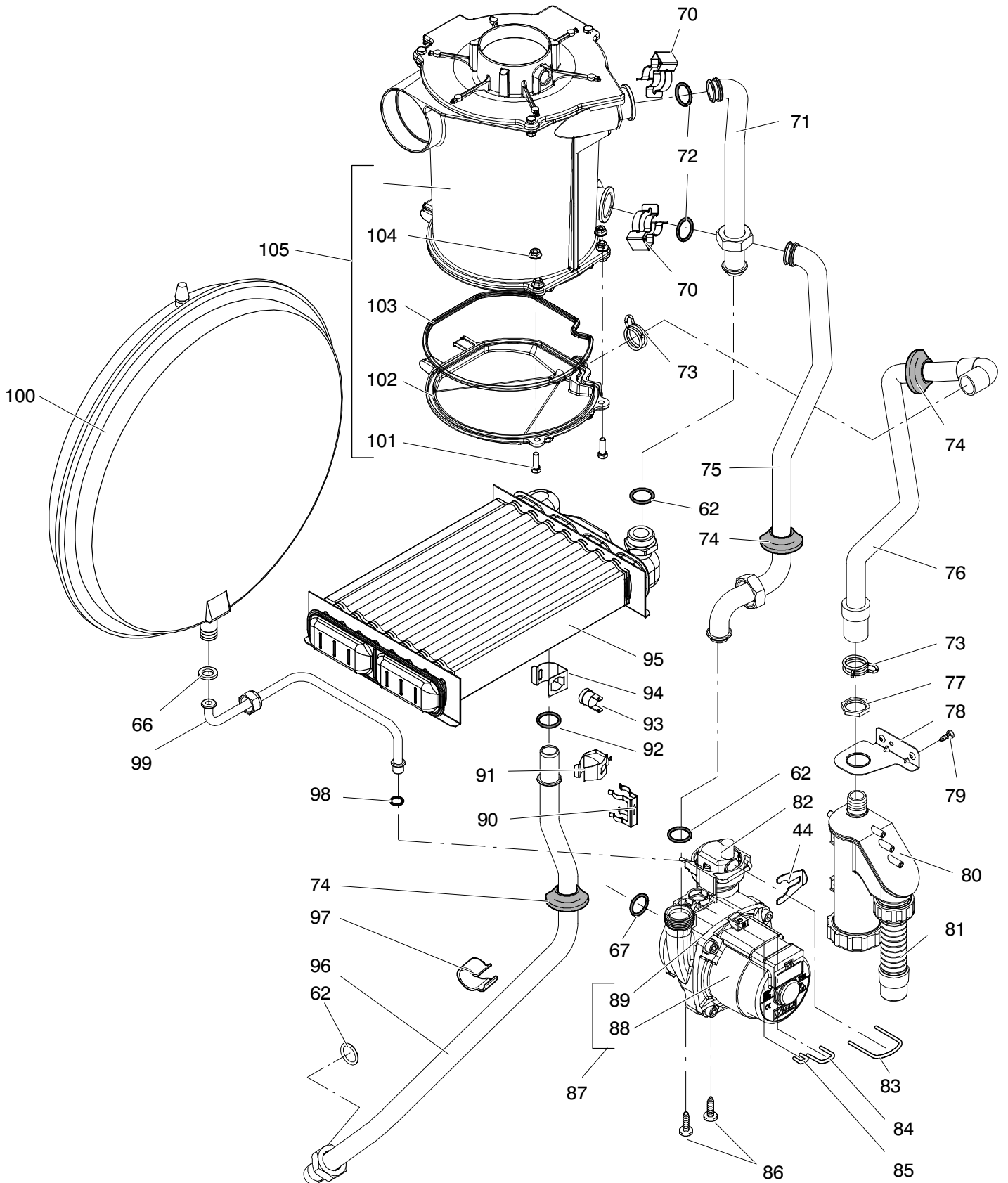
M296.24SM/C  
M296.28SM/C

Pump and main circuit assembly



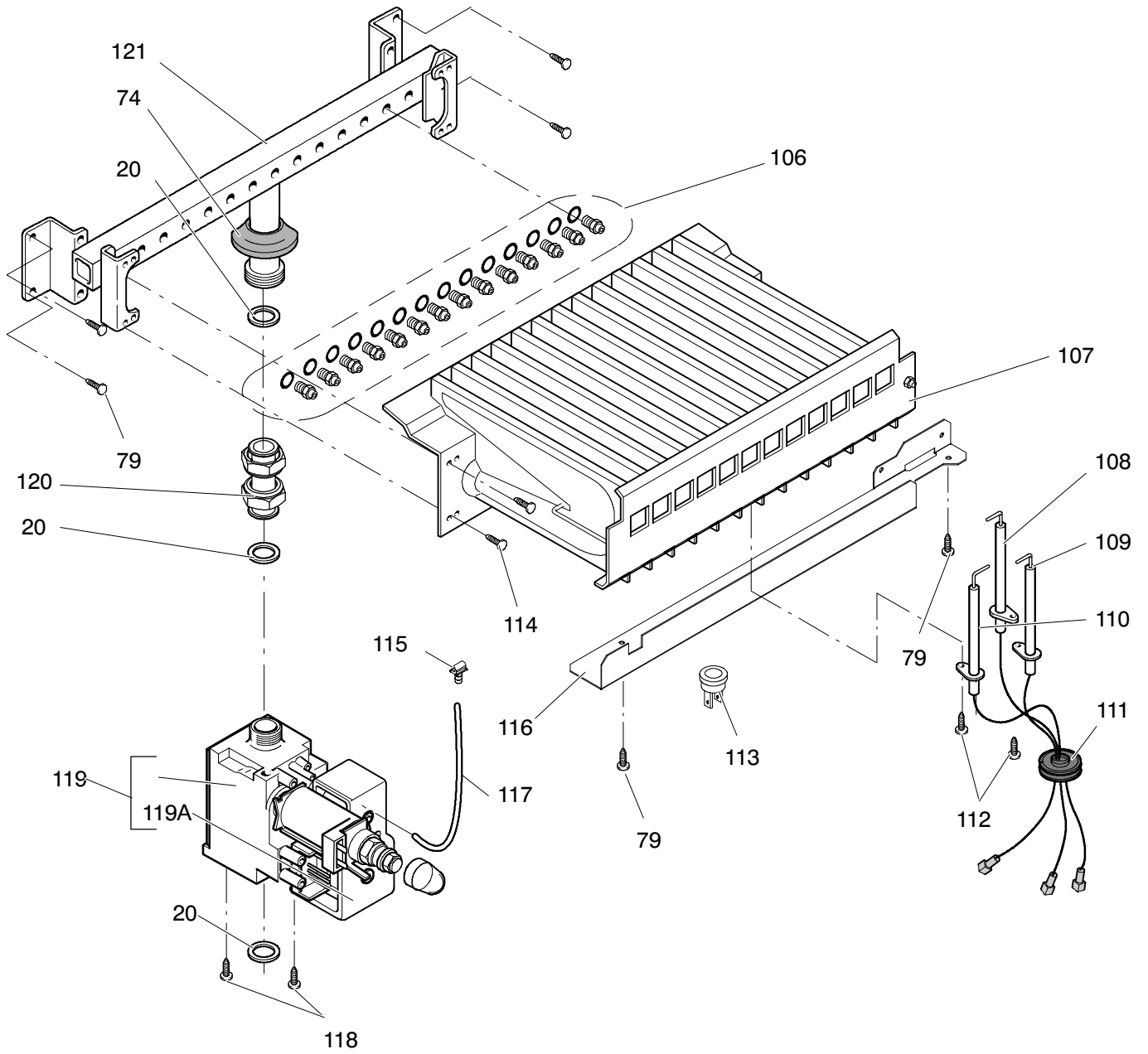
M296.24SR/C  
M296.28SR/C

### Pump and main circuit assembly



M296.24SM/C  
M296.28SM/C  
M296.24SR/C  
M296.28SR/C

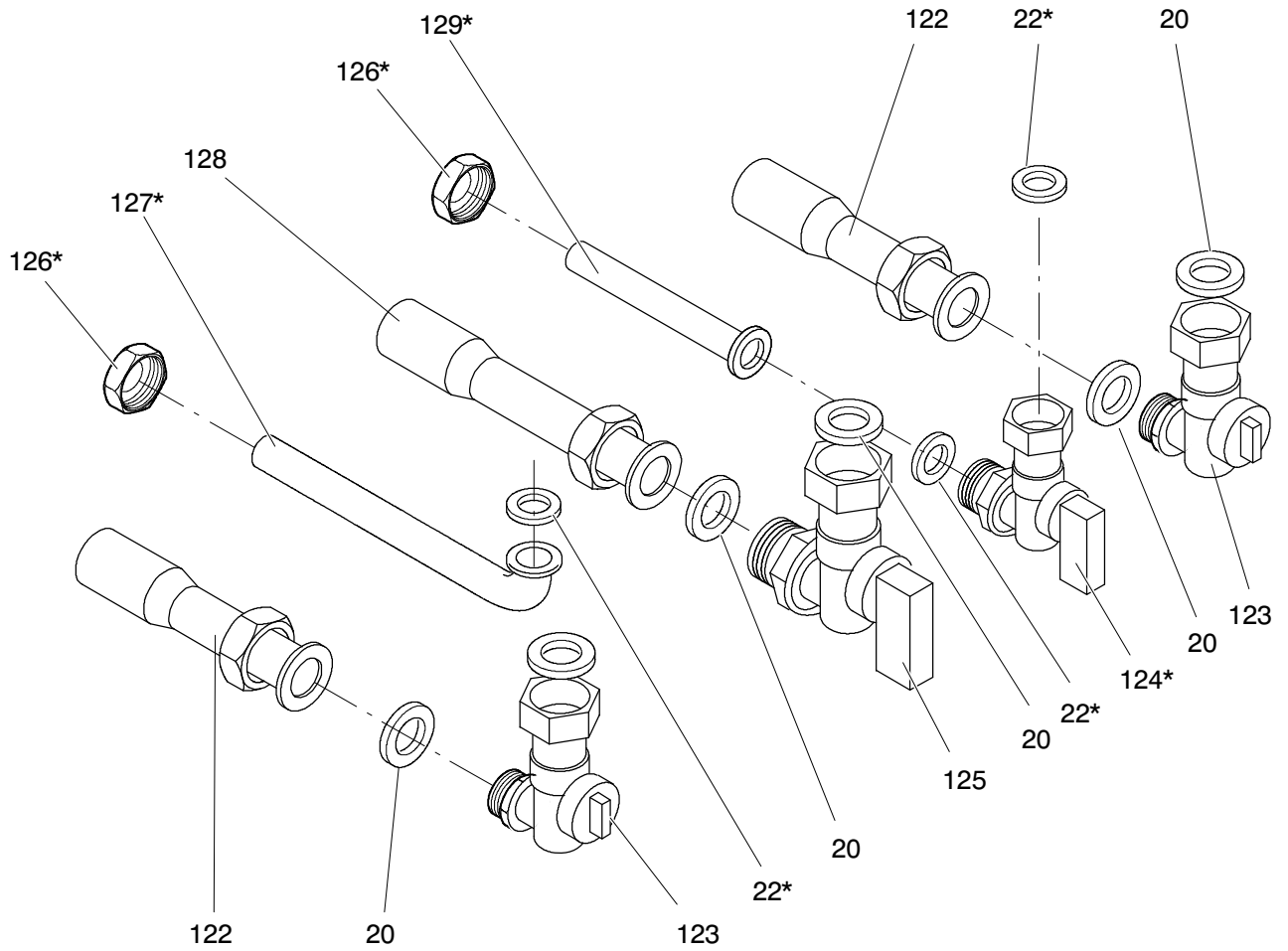
### Gas assembly





M296.24SM/C  
M296.28SM/C  
M296.24SR/C  
M296.28SR/C

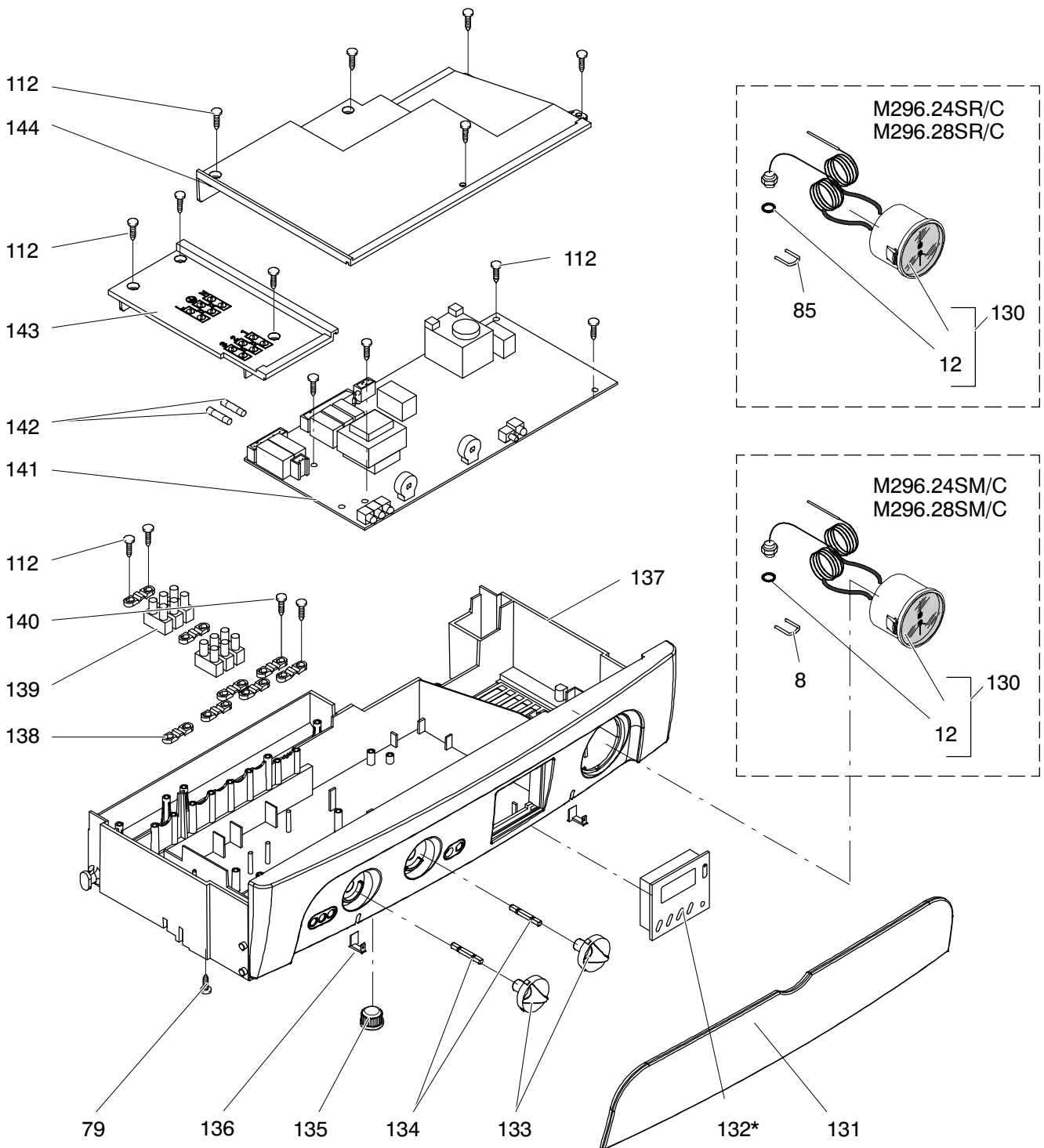
### Valves and connection pipes



\* Not for model M296.24SR/C, M296.28SR/C

M296.24SM/C  
M296.28SM/C  
M296.24SR/C  
M296.28SR/C

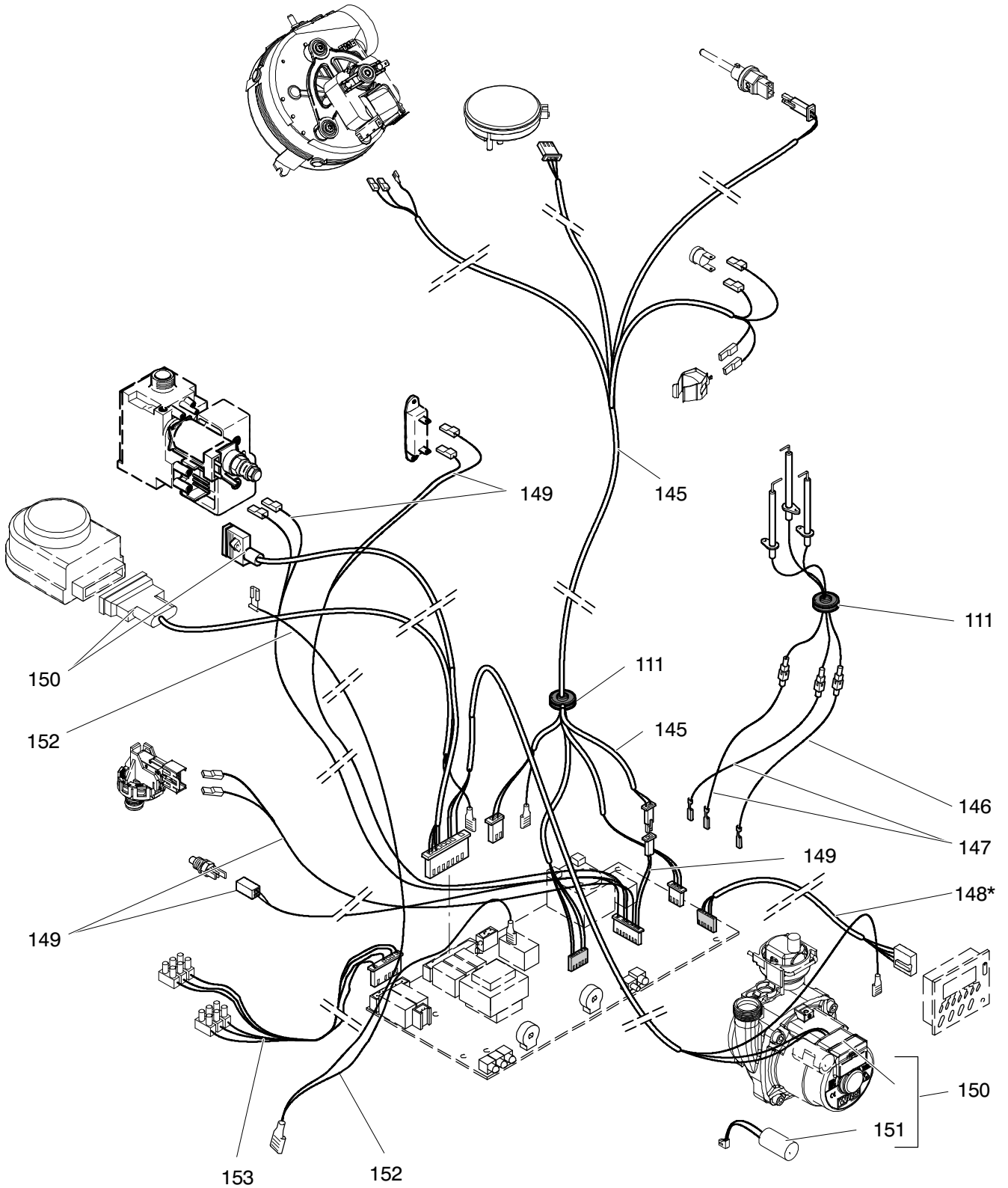
### Control panel and ignition device



\* Not for model M296.24SR/C, M296.28SR/C

M296.24SM/C  
M296.28SM/C  
M296.24SR/C  
M296.28SR/C

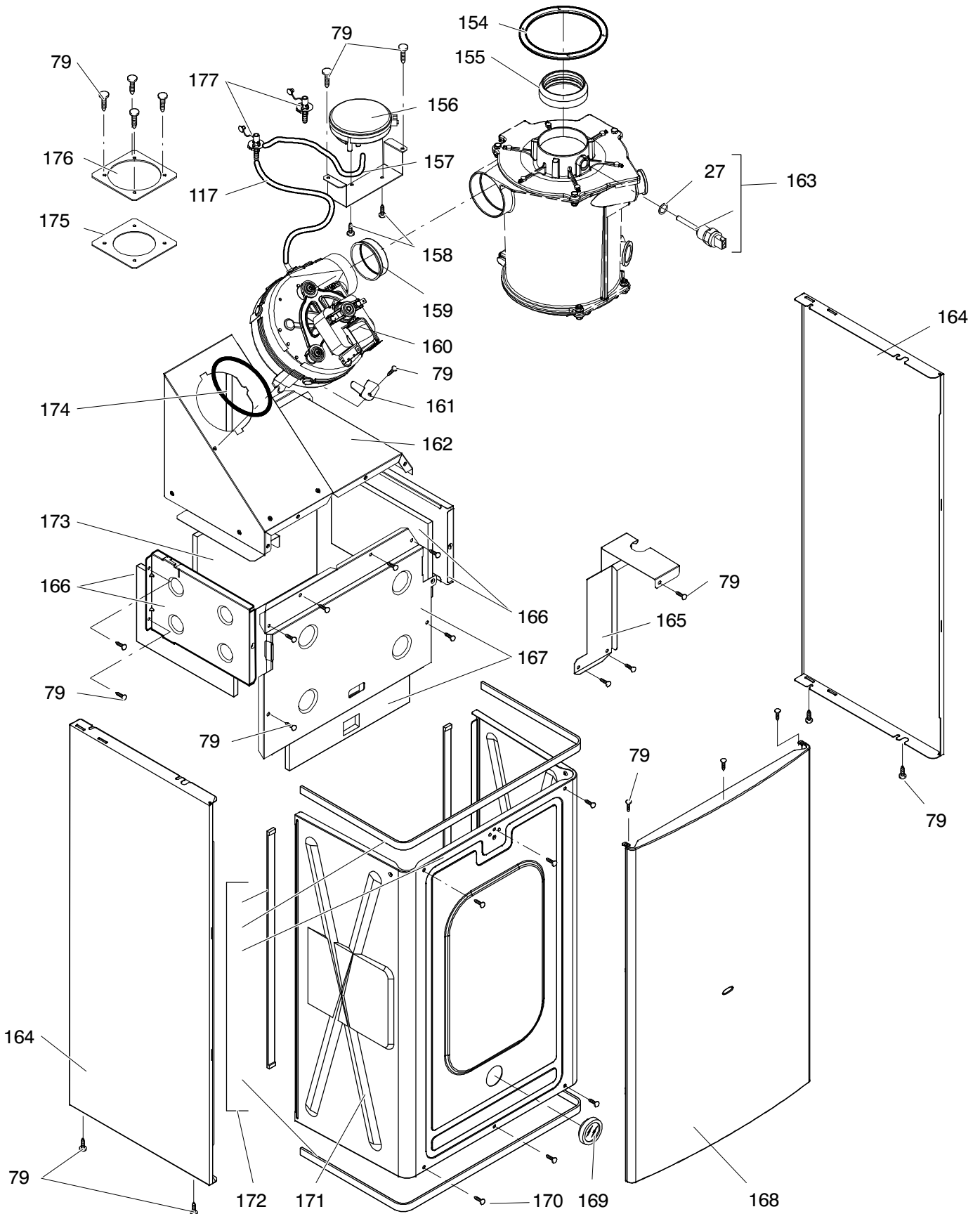
## Wiring



\* Not for model M296.24SR/C, M296.28SR/C

M296.24SM/C  
M296.28SM/C  
M296.24SR/C  
M296.28SR/C

### Fan, combustion chamber and case panels



# DRAFT BRITISH GAS PART LIST

Date \_\_\_\_\_  
 Sheet  1  of  8   
 Manufacturer  Biasi SpA – Italy   
 Appliance(s)  M296.24SM/C, M296.28SM/C   
 GC Appliance Number(s) \_\_\_\_\_  
 Contract Name \_\_\_\_\_  
 Telephone Number \_\_\_\_\_

(a)	(b)	(c)	(d)	(e)	(f)	(g)	(h)	(i)	(j)	(k)
Key no.	GC Part Number	Description	No. Off	Makers part number which have a CG number	Maker's old part number which have since been changed	Maker's new part number which DO NOT have a GC number	M B F	Original Supplier	Original Supplier part number	Retail price excl. VAT
		Position of data badge: inner side of left case panel								
		Instructions booklets set	1			BI1913 522	M			
1	E23–759	Safety valve connection	1	BI1001 127			M			
2	H05–158	Safety valve connection pipe	1	BI1131 106			M			
3	H50–189	Safety valve 3 bar	1	BI1181 100			B	Watts Intermes	3 bar	
4	H50–480	Fork P.18,5	1	BI1181 101			M			
5	H50–481	O–ring gasket 2,62x15,08	1	BI1181 102			M			
6	H50–484	O–ring gasket 1,78x7,66	2	BI1182 108			M			
7	H50–398	Drainage valve	1	BI1181 501			M			
8	H50–473	Fork P.14	4	BI1181 107			M			
9	169–050	O–ring gasket 1,78x2,9	1	KI1043 145			M			
10	H50–488	O–ring gasket 1,78x3,69	1	BI1181 120			M			
11	169–014	O–ring gasket 1,78x6,07	1	KI1002 119			M			
12	E83–144	O–ring gasket 1,78 x 6,75	1	BI1475 119			M			
13	H50–467	O–ring gasket 2,62x17,13	3	BI1181 112			M			
14	169–026	Fork P.20,5	1	KI1031 101			M			
15	H50–487	Pump connection	1	BI1301 102			M			
16	H58–648	Screw M5x55 – Hexagon socket cap	1	BI1301 105			M			
17	H74–606	O–ring gasket 3x17	2	KI1003 114			M			
18	H50–491	Filling group kit	1	BI1181 507			M			
19	H50–470	Threaded connection c.h.	1	BI1181 114			M			
20	169–033	Flat gasket 3/4"	9	BI1001 108			M			
21	402–325	Screw M6x10 – BZP RPH	2	BI1172 115			F			
22	169–141	Gasket 1/2"	3	BI1001 106			M			
23	H50–468	Threaded connection d.h.w.	1	BI1181 115			M			

# CONTINUATION SHEET

Sheet 2 of 8

Appliance number(s) \_\_\_\_\_

(a)	(b)	(c)	(d)	(e)	(f)	(g)	(h)	(i)	(j)	(k)
Key no.	GC Part Number	Description	No. Off	Makers part number which have a CG number	Maker's old part number which have since been changed	Maker's new part number which DO NOT have a GC number	M B F	Original Supplier	Original Supplier part number	Retail price excl. VAT
24		Return group kit	1			BI1411 501	M			
25	H50-471	Reed fixing clip	1	BI1181 116			M			
26	H50-478	Return proup plug	1	BI1181 117			M			
27	H50-475	O-ring gasket 1,78x10,82	3	BI1181 110			M			
28		Return group	1			BI1411 100	M			
29	169-010	D.h.w. flow switch	1	KI1042 107			M			
30	169-015	Fork P.14	3	KI1042 101			M			
31	E00-668	O-ring gasket 1,78x12,42	1	BI1001 115			M			
32	H50-482	Return group plug	1	BI1181 104			M			
33	H50-490	Filter	1	BI1181 106			M			
34	169-008	Float	1	KI1042 106			M			
35	H58-649	Flow limiter 10 Litres/min	1	BI1301 103			M			
35 A	H74-526	Flow limiter 14 Litres/min	1	BI1301 106			M			
36	E00-680	O-ring gasket 2,62x23,47	1	BI1011 107			M			
37	H50-479	Fork P.20	1	BI1181 103			M			
38	H50-400	Magnetic flow switch and filter kit	1	BI1181 500			M			
40	169-060	O-ring gasket 18,64x3,53	4	KI1043 144			M			
41	E01-204	Exchanger DHW - M296.24SM/C,	1	BI1001 101			M			
41 A	E01-205	Exchanger DHW - M296.28SM/C	1	BI1001 102			M			
43		Flow group kit d.h.w.	1			BI1421 100	M			
44	H20-987	Pump connection fork	1	BI1262 116			M			
45	169-102	O-ring gasket 1,9x5,7	1	KI1042 102			M			
46	169-016	Temperature probe NTC d.h.w.	1	KI1042 501			M			
47	H74-528	Screw M5x35 - Hexagon socket cap	1	BI1351 101			F			
48	H74-529	O-ring gasket 2,62x15,54	2	BI1351 102			M			

## CONTINUATION SHEET

Sheet 3 of 8

Appliance number(s) , , \_\_\_\_\_

(a)	(b)	(c)	(d)	(e)	(f)	(g)	(h)	(i)	(j)	(k)
Key no.	GC Part Number	Description	No. Off	Makers part number which have a CG number	Maker's old part number which have since been changed	Maker's new part number which DO NOT have a GC number	M B F	Original Supplier	Original Supplier part number	Retail price excl. VAT
49	H74-530	Flow group kit d.h.w. plug	1	BI1351 103			M			
50	H74-531	Fork P21,6	2	BI1351 104			M			
51	H74-532	O-ring gasket 2,62x17,96	3	BI1351 105			M			
52	H74-533	Threaded connection d.h.w.	1	BI1351 106			M			
53	H74-535	Tapping screw 5x12	4	BI1351 107			F			
54	H74-535	Diverter valve actuator	1	BI1351 108			M			
55	H74-536	Diverter valve kit	1	BI1351 109			M			
56	E00-680	O-ring gasket 2,62x23,47	2	BI1011 107			M			
57	H74-538	Diverter valve actuator fixing spring	1	BI1351 111			M			
58	H74-539	Fork P11	2	BI1351 112			M			
59	H74-540	O-ring gasket 1,90x8,90	1	BI1351 113			M			
60	H74-541	Threaded connection c.h.	1	BI1351 114			M			
61	H74-542	Fork P26	1	BI1351 115			M			
62	H20-981	O-ring gasket 2X17	2	BI1262 114			M			
63		Flow group kit c.h.	1			BI1421 101	M			
64	H74-544	By-pass kit	1	BI1351 117			M			
65	H74-545	Primary circuit pressure switch	1	BI1351 118			M			
66	H03-727	Flat gasket 3/8" O.D 15 mm, i.d. 8.5 mm	2	BI1202 105			M			
67	H20-945	O-ring gasket 17,04x4,00	5	BI1212 112			M			
70	H58-664	Condensing heat exchanger connection clip	2	BI1432 106			M			
71	H74-546	Condensing heat exchanger outlet pipe	1	BI1442 100			M			
72	H20-970	O-ring gasket 2,62x17,86	2	BI1262 112			M			
73	H20-972	Connection spring	2	BI1262 117			F			
74	169-104	Grommet	4	BI1002 113			M			
75	H74-547	Condensing heat exchanger inlet pipe	1	BI1442 101			M			

# CONTINUATION SHEET

Sheet 4 of 8

Appliance number(s) , , \_\_\_\_\_

(a)	(b)	(c)	(d)	(e)	(f)	(g)	(h)	(i)	(j)	(k)
Key no.	GC Part Number	Description	No. Off	Makers part number which have a CG number	Maker's old part number which have since been changed	Maker's new part number which DO NOT have a GC number	M B F	Original Supplier	Original Supplier part number	Retail price excl. VAT
76	H74-548	Condensate discharge pipe	1	BI1442 102			M			
77	169-142	Lock-nut	1	KI1005 107			M			
78	H74-549	Condensate trap holder bracket	1	BI1442 103			M			
79	409-722	Tapping Screw ISO No8 B 4,2x9,5 Recessed Pan Head	34	BI1013 110			F			
80	H74-550	Condensate trap	1	BI1442 104			M			
81	H74-551	Condensate connection hose	1	BI1442 105			M			
82	H20-986	Automatic air purger valve	1	BI1212 107			M			
83	H20-990	Fork	1	BI1262 120			M			
86	H20-992	Screw 5X16	2	BI1262 115			F			
87		Pump (complete)	1			BI1542 100	M	Wilo	INTNFSL12/6HEP1 83W	
88		Pump (motor)	1			BI1542 101	B			
89	E83-114	Pump gasket	1	BI1172 113			M			
90	E94-737	Main exchanger connection clip	1	BI1182 106			M			
91	H74-553	Spring mounting temperature probe	1	BI1442 106			M			
92	169-025	O-ring gasket 17,04x3,53	1	KI1043 114			M			
93	E83-101	Overheat thermostat	1	BI1172 105			B	Elth	261 105°C	
94	E94-723	Overheat thermostat fixing clip	1	BI1182 100			M			
95	H20-984	Main exchanger M296.24SM/C	1	BI1262 101			M			
95 A	H20-985	Main exchanger M296.28SM/C	1	BI1262 102			M			
96	H74-555	Main exchanger outlet pipe	1	BI1442 110			M			
97	169-045	Probe holder	1	BI1105 108			M			
99	H63-536	Expansion vessel connection pipe	1	BI1432 110			M			
100	E83-121	Expansion vessel	1	BI1172 103			B	Zilmet - Italy (alternative)	13C0000600	
101	H74-556	Screw M5x16 mm Hexagon head	5	BI1442 112			F			
102	H74-557	Condensing heat exchanger bottom cover	1	BI1442 109			M			



# CONTINUATION SHEET

Sheet 5 of 8

Appliance number(s) \_\_\_\_\_

(a)	(b)	(c)	(d)	(e)	(f)	(g)	(h)	(i)	(j)	(k)
Key no.	GC Part Number	Description	No. Off	Makers part number which have a CG number	Maker's old part number which have since been changed	Maker's new part number which DO NOT have a GC number	M B F	Original Supplier	Original Supplier part number	Retail price excl. VAT
103	H74-560	Condensing heat exchanger gasket	1	BI1442 108			M			
104	H74-562	Flanged nut M5 Hexagon	5	BI1442 111			F			
105		Condensing heat exchanger	1			BI1442 121	M			
106	H74-599	Injectors with gaskets 120 – NG M296.24SM/C	12	BI1213 109			B	Polidoro		
106 A	H74-599	Injectors with gaskets 120 – NG M296.28SM/C	14	BI1213 109			B	Polidoro		
106 B	169-070	Injectors with gaskets 77 – LPG M296.24SM/C	12	KI1064 506			B	Polidoro		
106 C	169-070	Injectors with gaskets 77 – LPG M296.28SM/C	14	KI1064 506			B	Polidoro		
107	173-148	Burner M296.24SM/C	1	KI1004 102			B	Polidoro		
107 A	173-149	Burner M296.28SM/C	1	KI1004 147			B	Polidoro		
108	E83-122	Detection electrode	1	BI1123 102			M			
109	E83-126	Ignition electrode – right	1	BI1123 103			M			
110	E83-127	Ignition electrode – left	1	BI1123 101			M			
111	169-125	Grommet	1	BI1002 115			M			
112	409-736	Tapping screw 3,5x9,5 recessed pan head	28	BI1013 115			F			
113		Combustion chamber overheat thermostat M296.24SM/C	1			BI1193 109	M			
113 A		Combustion chamber overheat thermostat M296.28SM/C	1			BI1193 110	M			
114	409-531	Taptite screw M4x8 Recessed pan head	4	BI1013 111			F			
115	H74-564	Compensating pressure sampling terminal	1	BI1213 105			M			
116	H74-565	Air deflector	1	BI1213 104			M			
117	E83-188	Fan pressure connection tube	1	BI1256 101			M			
118	402-124	Machine Screw M4x8 mm Recessed pan head	2	BI1013 114			F			
119	H03-746	Gas valve	1	BI1193 105			B	Sit	0.845.083	
119 A	H08-602	Gas valve on-off operator coils		BI1093 107			B	Sit	0.967.158	
120	H21-019	Gas pipe to the manifold	1	BI1213 100			M			
121		Gas manifold with injectors NG M296.24SM/C	1			BI1193 111	B	Polidoro		

# CONTINUATION SHEET

Sheet 6 of 8

Appliance number(s) \_\_\_\_\_

(a)	(b)	(c)	(d)	(e)	(f)	(g)	(h)	(i)	(j)	(k)
Key no.	GC Part Number	Description	No. Off	Makers part number which have a CG number	Maker's old part number which have since been changed	Maker's new part number which DO NOT have a GC number	M B F	Original Supplier	Original Supplier part number	Retail price excl. VAT
121 A	E83-132	Gas manifold with injectors LPG M296.24SM/C	1	BI1183 104			B	Polidoro		
121 B		Gas manifold with injectors NG M296.28SM/C	1			BI1193 112	B	Polidoro		
121 C	E83-134	Gas manifold with injectors LPG M296.28SM/C	1	BI1183 106			B	Polidoro		
122	H21-025	C.h. connection pipe	2	BI1124 100			M			
123	E83-136	Tap 3/4" - c.h.	2	BI1084 105			B			
124	E83-137	Tap 1/2" - d.h.w.	1	BI1084 101			B			
125	E83-138	Tap 3/4" - gas	1	BI1084 100			B			
126	E01-226	Nut 1/2"	2	BI1004 101			M			
127	H21-027	Pipe 15 mm dia (bent) d.h.w.	1	BI1124 102			M			
128	E05-387	Pipe 22 mm dia gas	1	BI1014 112			M			
129	H21-030	Pipe 15 mm dia (straight) d.h.w.	1	BI1124 103			M			
130	E83-145	Temperature-pressure gauge	1	BI1475 108			M			
131	H32-562	Cover panel	1	BI1605 108			M			
132	E94-738	Time switch	1	BI1525 101			B	Flash	Monotron 200 23011	
133	H27-577	Knob	2	BI1605 106			M			
134	E83-149	Shaft	2	BI1475 105			M			
135	E83-150	Control panel plug	1	BI1475 110			M			
136	H27-578	Hinge plugs (couple)	2	BI1605 107						
137	H32-564	Control panel box M296.24SM/C, M296.28SM/C	1	BI1715 103			M			
138	E83-152	Cable holder.	10	KI1066 208			B	Fastpoint S.r.l.	1207.BB01 XS	
139	E83-153	Terminal block	2	BI1475 109			B	Elettrogibi	PA27	
								Odoardo Korner (alternative)	OK-433-FV	
140	409-727	Screw 3,5x16 mm self tap RPH	8	BI1165 101			F			
141		Electronic control - ignition p.c.b.	1			BI2015 105	M			
142	H44-170	Fuse 3,15AF	2	BI1295 108			B			

# CONTINUATION SHEET

Sheet 7 of 8

Appliance number(s) \_\_\_\_\_

(a)	(b)	(c)	(d)	(e)	(f)	(g)	(h)	(i)	(j)	(k)
Key no.	GC Part Number	Description	No. Off	Makers part number which have a CG number	Maker's old part number which have since been changed	Maker's new part number which DO NOT have a GC number	M B F	Original Supplier	Original Supplier part number	Retail price excl. VAT
143	E83-155	Service panel cover	1	BI1475 111			M			
144	E83-156	Control panel cover	1	BI1475 112			M			
145		Fan cable	1			BI2025 118	M			
146	H46-365	Flame detection electrode cable	1	BI1765 115			M			
147	H32-570	Ignition electrode cable	2	BI1765 102			M			
148	E83-163	Time switch cable	1	BI1485 111			M			
149	H74-570	Flow switches, temp. probes and modulator cable	1	BI2025 101			M			
150		Pump-diverter valve-gas valve cable	1			BI2175 100	M			
151		Pump capacitor	1			BI2175 101	M			
152	H74-572	Earth wiring	1	BI1765 121			M			
153	H39-041	Power supply and external control cable	1	BI1675 106			M			
154	169-110	Flue pipe gasket	1	BI1016 104			M			
155	H74-575	Flue outlet gasket	1	BI1536 101			M			
156	H74-576	Air pressure sensor	1	BI1536 103			B	Huba Control	401.93000	
157	E01-187	Flue pressure switch tube	1	BI1016 107			M			
158	E23-759	Screw 2,9x4,5 Recessend Pan Head	2	BI1002 127			F			
159	H74-577	Fan outlet gasket	1	BI1536 102			M			
160	H74-578	Fan M296.24SM/C	1	BI1536 105			B	FIME	GR03630 47W	
160 A	H74-604	Fan M296.28SM/C	1	BI1536 113			B	FIME	GR0401580W	
161	H74-583	Fan holder bracket	1	BI1536 107			M			
162		Flue hood M296.24SM/C	1			BI1536 116	M			
162 A		Flue hood M296.28SM/C	1			BI1536 117	M			
163	H74-589	Flue temperature probe NTC	1	BI1536 104			M			
164	H21-052	Side case panel	2	BI1406 106			M			
165	H74-590	Air deflector - right	1	BI1536 112			M			

**CONTINUATION SHEET**

Sheet  8  of  8

Appliance number(s)  , ,

(a) Key no.	(b) GC Part Number	(c) Description	(d) No. Off	(e) Makers part number which have a CG number	(f) Maker's old part number which have since been changed	(g) Maker's new part number which DO NOT have a GC number	(h) M B F	(i) Original Supplier	(j) Original Supplier part number	(k) Retail price excl. VAT
166	E83-178	Combustion chamber side panel	2	BI1326 100			M			
167	H74-591	Combustion chamber front panel M296.24SM/C	1	BI1536 110			M			
167 A	H74-592	Combustion chamber front panel M296.28SM/C	1	BI1536 111			M			
168	H32-600	Front case panel	1	BI1416 102			M			
169	E69-243	Window (glass + rubber frame)	1	BI1206 118			M			
170	409-747	Screw 4,8x13 mm AB self tapping RPH BZP	4	BI1336 114			F			
171	H21-059	Sealed chamber lid	1	BI1406 105			M			
172	H21-060	Sealed chamber gaskets kit	1	BI1406 500			M			
173	E83-180	Combustion chamber rear panel M296.24SM/C	1	BI1326 107			M			
173 A	E83-181	Combustion chamber rear panel M296.28SM/C	1	BI1326 108			M			
174	H21-063	Fan inlet gasket	1	BI1406 111			M			
175	H21-070	Air restrictor d. 50	1	BI1406 115			M			
175 A	H21-071	Air restrictor d. 55	1	BI1406 116			M			
176	E01-184	Gasket - Air intake twin kit	1	BI1016 101			M			
177	H74-593	Air switch pressure test point	2	BI1536 100			M			

# DRAFT BRITISH GAS PART LIST

Date \_\_\_\_\_  
 Sheet  1  of  7   
 Manufacturer  Biasi SpA – Italy   
 Appliance(s)  M296.24SR/C, M296.28SR/C   
 GC Appliance Number(s) \_\_\_\_\_  
 Contract Name \_\_\_\_\_  
 Telephone Number \_\_\_\_\_

(a)	(b)	(c)	(d)	(e)	(f)	(g)	(h)	(i)	(j)	(k)
Key no.	GC Part Number	Description	No. Off	Makers part number which have a CG number	Maker's old part number which have since been changed	Maker's new part number which DO NOT have a GC number	M B F	Original Supplier	Original Supplier part number	Retail price excl. VAT
		Position of data badge: inner side of left case panel								
		Instructions booklets set	1			BI1913 523	M			
1	E23-759	Safety valve connection	1	BI1001 127			M			
2	H05-158	Safety valve connection pipe	1	BI1131 106			M			
3	E83-013	Safety valve 3 bar	1	BI1131 100			B	Watts Intermes	3 bar	
7	E00-669	Drainage valve	1	BI1011 104			B	Watts Intermes – Caldarò Italy	RSR8 1/4"	
12	E83-144	O-ring gasket 1,78 x 6,75	1	BI1475 119			M			
20	169-033	Flat gasket 3/4"	9	BI1001 108			M			
21	E00-670	Screw M6x8 – BZP RPH	2	BI1001 123			F			
28	H46-401	Return group kit	1	BI1171 105			M			
30	169-015	Fork P.14	3	KI1042 101			M			
39		O-ring gasket 2,62x11,91	1			BI1301 112	M			
42		By-pass pipe	1			BI1371 103	M			
44	H20-987	Pump connection fork	1	BI1262 116			M			
48	H74-529	O-ring gasket 2,62x15,54	2	BI1351 102			M			
49	H74-530	Flow group kit c.h. plug	1	BI1351 103			M			
50	H74-531	Fork P21,6	2	BI1351 104			M			
51	H74-532	O-ring gasket 2,62x17,96	3	BI1351 105			M			
53	H74-535	Tapping screw 5x12	2	BI1351 107			F			
56	E00-680	O-ring gasket 2,62x23,47	1	BI1011 107			M			
58	H74-539	Fork P11	2	BI1351 112			M			
59	H74-540	O-ring gasket 1,90x8,90	1	BI1351 113			M			
60	H74-541	Threaded connection c.h.	1	BI1351 114			M			
61	H74-542	Fork P26	1	BI1351 115			M			
62	H20-981	O-ring gasket 2X17	2	BI1262 114			M			

# CONTINUATION SHEET

Sheet 2 of 7

Appliance number(s) \_\_\_\_\_

(a)	(b)	(c)	(d)	(e)	(f)	(g)	(h)	(i)	(j)	(k)
Key no.	GC Part Number	Description	No. Off	Makers part number which have a CG number	Maker's old part number which have since been changed	Maker's new part number which DO NOT have a GC number	M B F	Original Supplier	Original Supplier part number	Retail price excl. VAT
63	H74-543	Flow group kit	1	BI1351 116			M			
64	H74-544	By-pass kit	1	BI1351 117			M			
65	H74-545	Primary circuit pressure switch	1	BI1351 118			M			
66	H03-727	Flat gasket 3/8" O.D 15 mm, i.d. 8.5 mm	2	BI1202 105			M			
67	H20-945	O-ring gasket 17,04x4,00	5	BI1212 112			M			
68	E23-757	Toothed lock washer external 6,4 mm	2	BI1001 124			F			
69		Flow group kit plug	1			BI1371 105	M			
70	H58-664	Condensing heat exchanger connection clip	2	BI1432 106			M			
71	H74-546	Condensing heat exchanger outlet pipe	1	BI1442 100			M			
72	H20-970	O-ring gasket 2,62x17,86	2	BI1262 112			M			
73	H20-972	Connection spring	2	BI1262 117			F			
74	169-104	Grommet	4	BI1002 113			M			
75	H74-547	Condensing heat exchanger inlet pipe	1	BI1442 101			M			
76	H74-548	Condensate discharge pipe	1	BI1442 102			M			
77	169-142	Lock-nut	1	KI1005 107			M			
78	H74-549	Condensate trap holder bracket	1	BI1442 103			M			
79	409-722	Tapping Screw ISO No8 B 4,2x9,5 Recessed Pan Head	34	BI1013 110			F			
80	H74-550	Condensate trap	1	BI1442 104			M			
81	H74-551	Condensate connection hose	1	BI1442 105			M			
82	H20-986	Automatic air purger valve	1	BI1212 107			M			
83	H20-990	Fork	1	BI1262 120			M			
84	169-015	Fork	1	KI1042 101			M			
85	169-040	Fork	1	KI1042 115			M			
86	H20-992	Screw 5X16	2	BI1262 115			F			
87		Pump (complete)	1			BI1552 100	M	Wilo	INTNFSL12/6HEP1 83W	

## CONTINUATION SHEET

Sheet 3 of 7

Appliance number(s) \_\_\_\_\_

(a)	(b)	(c)	(d)	(e)	(f)	(g)	(h)	(i)	(j)	(k)
Key no.	GC Part Number	Description	No. Off	Makers part number which have a CG number	Maker's old part number which have since been changed	Maker's new part number which DO NOT have a GC number	M B F	Original Supplier	Original Supplier part number	Retail price excl. VAT
88		Pump (motor)	1			BI1542 101	B			
89	E83-114	Pump gasket	1	BI1172 113			M			
90	E94-737	Main exchanger connection clip	1	BI1182 106			M			
91	H74-553	Spring mounting temperature probe	1	BI1442 106			M			
92	169-025	O-ring gasket 17,04x3,53	1	KI1043 114			M			
93	E83-101	Overheat thermostat	1	BI1172 105			B	Elth	261 105 °C	
94	E94-723	Overheat thermostat fixing clip	1	BI1182 100			M			
95	H20-984	Main exchanger M296.24SR/C	1	BI1262 101			M			
95 A	H20-985	Main exchanger M296.28SR/C	1	BI1262 102			M			
96	H74-555	Main exchanger outlet pipe	1	BI1442 110			M			
97	169-045	Probe holder	1	BI1105 108			M			
98	H20-996	O-ring gasket 2,62X9,92	1	BI1262 113			M			
99	H20-997	Expansion vessel connection pipe	1	BI1262 105			M			
100	E83-121	Expansion vessel	1	BI1172 103			B	Zilmet - Italy (alternative)	13C0000600	
101	H74-556	Screw M5x16 mm Hexagon head	5	BI1442 112			F			
102	H74-557	Condensing heat exchanger bottom cover	1	BI1442 109			M			
103	H74-560	Condensing heat exchanger gasket	1	BI1442 108			M			
104	H74-562	Flanged nut M5 Hexagon	5	BI1442 111			F			
105		Condensing heat exchanger	1			BI1442 121	M			
106	H74-599	Injectors with gaskets 120 - NG M296.24SR/C	12	BI1213 109			B	Polidoro		
106 A	H74-599	Injectors with gaskets 120 - NG M296.28SR/C	14	BI1213 109			B	Polidoro		
106 B	169-070	Injectors with gaskets 77 - LPG M296.24SR/C	12	KI1064 506			B	Polidoro		
106 C	169-070	Injectors with gaskets 77 - LPG M296.28SR/C	14	KI1064 506			B	Polidoro		
107	173-148	Burner M296.24SR/C	1	KI1004 102			B	Polidoro		
107 A	173-149	Burner M296.28SR/C	1	KI1004 147			B	Polidoro		

# CONTINUATION SHEET

Sheet 4 of 7

Appliance number(s) \_\_\_\_\_

(a)	(b)	(c)	(d)	(e)	(f)	(g)	(h)	(i)	(j)	(k)
Key no.	GC Part Number	Description	No. Off	Makers part number which have a CG number	Maker's old part number which have since been changed	Maker's new part number which DO NOT have a GC number	M B F	Original Supplier	Original Supplier part number	Retail price excl. VAT
108	E83-122	Detection electrode	1	BI1123 102			M			
109	E83-126	Ignition electrode – right	1	BI1123 103			M			
110	E83-127	Ignition electrode – left	1	BI1123 101			M			
111	169-125	Grommet	1	BI1002 115			M			
112	409-736	Tapping screw 3,5x9,5 recessed pan head	28	BI1013 115			F			
113		Combustion chamber overheat thermostat M296.24SR/C	1			BI1193 109	M			
113 A		Combustion chamber overheat thermostat M296.28SR/C	1			BI1193 110	M			
114	409-531	Taptite screw M4x8 Recessed pan head	4	BI1013 111			F			
115	H74-564	Compensating pressure sampling terminal	1	BI1213 105			M			
116	H74-565	Air deflector	1	BI1213 104			M			
117	E83-188	Fan pressure connection tube	1	BI1256 101			M			
118	402-124	Machine Screw M4x8 mm Recessed pan head	2	BI1013 114			F			
119	H03-746	Gas valve	1	BI1193 105			B	Sit	0.845.083	
119 A	H08-602	Gas valve on-off operator coils		BI1093 107			B	Sit	0.967.158	
120	H21-019	Gas pipe to the manifold	1	BI1213 100			M			
121		Gas manifold with injectors NG M296.24SR/C	1			BI1193 111	B	Polidoro		
121 A	E83-132	Gas manifold with injectors LPG M296.24SR/C	1	BI1183 104			B	Polidoro		
121 B		Gas manifold with injectors NG M296.28SR/C	1			BI1193 112	B	Polidoro		
121 C	E83-134	Gas manifold with injectors LPG M296.28SR/C	1	BI1183 106			B	Polidoro		
122	H21-025	C.h. connection pipe	2	BI1124 100			M			
123	E83-136	Tap 3/4" – c.h.	2	BI1084 105			B			
125	E83-138	Tap 3/4" – gas	1	BI1084 100			B			
128	E05-387	Pipe 22 mm dia gas	1	BI1014 112			M			
130	E83-145	Temperature-pressure gauge	1	BI1475 108			M			
131	H32-562	Cover panel	1	BI1605 108			M			



## CONTINUATION SHEET

Sheet 5 of 7

Appliance number(s) \_\_\_\_\_

(a)	(b)	(c)	(d)	(e)	(f)	(g)	(h)	(i)	(j)	(k)
Key no.	GC Part Number	Description	No. Off	Makers part number which have a CG number	Maker's old part number which have since been changed	Maker's new part number which DO NOT have a GC number	M B F	Original Supplier	Original Supplier part number	Retail price excl. VAT
133	H27-577	Knob	2	BI1605 106			M			
134	E83-149	Shaft	2	BI1475 105			M			
135	E83-150	Control panel plug	1	BI1475 110			M			
136	H27-578	Hinge plugs (couple)	2	BI1605 107						
137		Control panel box M296.24SR/C, M296.28SR/C	1			BI1715 104	M			
138	E83-152	Cable holder.	10	KI1066 208			B	Fastpoint S.r.l.	1207.BB01 XS	
139	E83-153	Terminal block	2	BI1475 109			B	Elettrogibi	PA27	
								Odoardo Korner (alternative)	OK-433-FV	
140	409-727	Screw 3,5x16 mm self tap RPH	8	BI1165 101			F			
141		Electronic control - ignition p.c.b.	1			BI2015 105	M			
142	H44-170	Fuse 3,15AF	2	BI1295 108			B			
143	E83-155	Service panel cover	1	BI1475 111			M			
144	E83-156	Control panel cover	1	BI1475 112			M			
145		Fan cable	1			BI2025 118	M			
146	H46-365	Flame detection electrode cable	1	BI1765 115			M			
147	H32-570	Ignition electrode cable	2	BI1765 102			M			
149		Flow switch, temp. probe and modulator cable	1			BI2185 100	M			
150		Pump-gas valve cable	1			BI2185 101	M			
151		Pump capacitor	1			BI2175 101	M			
152	H74-572	Earth wiring	1	BI1765 121			M			
153	H39-041	Power supply and external control cable	1	BI1675 106			M			
154	169-110	Flue pipe gasket	1	BI1016 104			M			
155	H74-575	Flue outlet gasket	1	BI1536 101			M			
156	H74-576	Air pressure sensor	1	BI1536 103			B	Huba Control	401.93000	
157	E01-187	Flue pressure switch tube	1	BI1016 107			M			

## CONTINUATION SHEET

Sheet 6 of 7

Appliance number(s) \_\_\_\_\_

(a)	(b)	(c)	(d)	(e)	(f)	(g)	(h)	(i)	(j)	(k)
Key no.	GC Part Number	Description	No. Off	Makers part number which have a CG number	Maker's old part number which have since been changed	Maker's new part number which DO NOT have a GC number	M B F	Original Supplier	Original Supplier part number	Retail price excl. VAT
158	E23-759	Screw 2,9x4,5 Recessend Pan Head	2	BI1002 127			F			
159	H74-577	Fan outlet gasket	1	BI1536 102			M			
160	H74-578	Fan M296.24SR/C	1	BI1536 105			B	FIME	GR03630 47W	
160 A	H74-604	Fan M296.28SR/C	1	BI1536 113			B	FIME	GR0401580W	
161	H74-583	Fan holder bracket	1	BI1536 107			M			
162		Flue hood M296.24SR/C	1			BI1536 116	M			
162 A		Flue hood M296.28SR/C	1			BI1536 117	M			
163	H74-589	Flue temperature probe NTC	1	BI1536 104			M			
164	H21-052	Side case panel	2	BI1406 106			M			
165	H74-590	Air deflector - right	1	BI1536 112			M			
166	E83-178	Combustion chamber side panel	2	BI1326 100			M			
167	H74-591	Combustion chamber front panel M296.24SR/C	1	BI1536 110			M			
167 A	H74-592	Combustion chamber front panel M296.28SR/C	1	BI1536 111			M			
168	H32-600	Front case panel	1	BI1416 102			M			
169	E69-243	Window (glass + rubber frame)	1	BI1206 118			M			
170	409-747	Screw 4,8x13 mm AB self tapping RPH BZP	4	BI1336 114			F			
171	H21-059	Sealed chamber lid	1	BI1406 105			M			
172	H21-060	Sealed chamber gaskets kit	1	BI1406 500			M			
173	E83-180	Combustion chamber rear panel M296.24SR/C	1	BI1326 107			M			
173 A	E83-181	Combustion chamber rear panel M296.28SR/C	1	BI1326 108			M			
174	H21-063	Fan inlet gasket	1	BI1406 111			M			
175	H21-070	Air restrictor d. 50	1	BI1406 115			M			
175 A	H21-071	Air restrictor d. 55	1	BI1406 116			M			
176	E01-184	Gasket - Air intake twin kit	1	BI1016 101			M			
177	H74-593	Air switch pressure test point	2	BI1536 100			M			

## CONTINUATION SHEET

Sheet 7 of 7

Appliance number(s) \_\_\_\_\_

(a)	(b)	(c)	(d)	(e)	(f)	(g)	(h)	(i)	(j)	(k)
Key no.	GC Part Number	Description	No. Off	Makers part number which have a CG number	Maker's old part number which have since been changed	Maker's new part number which DO NOT have a GC number	M B F	Original Supplier	Original Supplier part number	Retail price excl. VAT